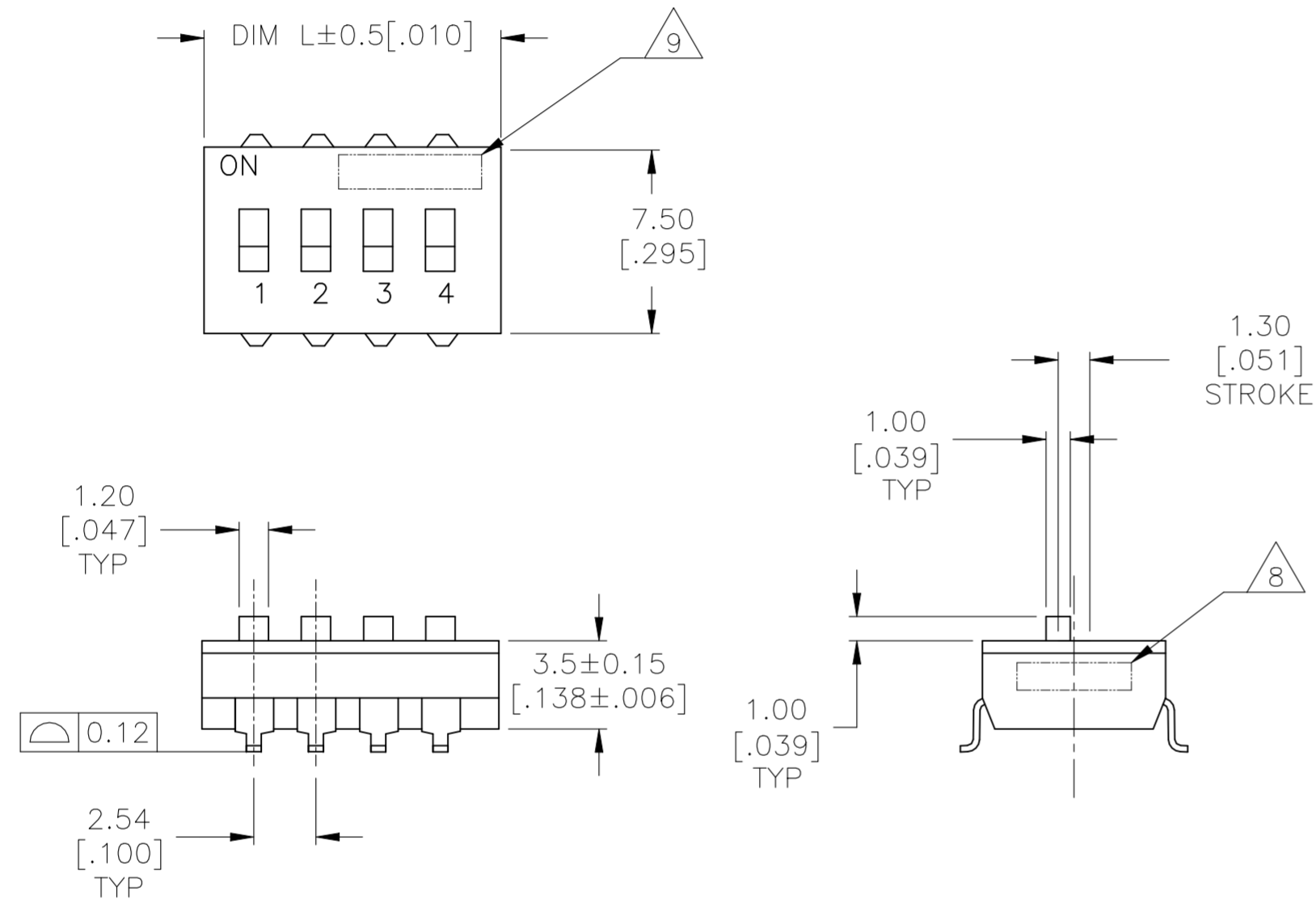


REVISIONS					
P	LTR	DESCRIPTION	DATE	DWN	APVD
T2		REVISED PER ECR-23-177264	10AUG2023	SA	DM



8 MARK ALCO PLUS FIRST 5 DIGITS PER T&B P/N.2 AND 3 POSITION SUPPLIED WITHOUT ALCO

15 5 8 A1  
 SPACE INTERNAL CONTROL No. (2-digit)

YEAR OF PRODUCTION WITH 1-DIGIT FIGURE(4TH DIGIT OF CALENDAR YEAR)  
 (EXAMPLE: Y2018: 8; Y2019: 9)

MONTH OF PRODUCTION WITH 1-DIGIT FIGURE OR ALPHABET  
 (EXAMPLE: 1~9, X(10), Y(11), Z(12))

DATE OF PRODUCTION WITH 2-DIGIT FIGURES(01-31)

9 MARK ALCO PLUS FIRST 5 DIGITS PER T&B P/N.2 AND 3 POSITION SUPPLIED WITHOUT ALCO

SEE SHEET 2 FOR PART NUMBER TABLE AND MOUNTING OPTIONS

SPECIFICATIONS:

**MATERIAL**  
 BASE, PPS, UL94V-0, BLACK  
 COVER, PPS, UL94V-0, BLACK  
 ACTUATOR, PA6T, UL94V-0, WHITE  
 FIXED CONTACT/TERMINAL, CU ALLOY-GOLD FLASH OVER NICKEL  
 MOVING CONTACT, CU ALLOY, PLATE-GOLD FLASH/NICKEL

**ELECTRICAL**  
 MAX CONTACT RATING SWITCHING, -100mA @5VDC (Ampere max)  
 - 25mA@24VDC (Voltage max).  
 MIN CONTACT RATING SWITCHING, .1MICROAMP @ 1 MILLIVOLT  
 MAX CONTACT NON-SWITCHING, 1AMP @ 5 VDC  
 INITIAL CONTACT RESISTANCE, 50 MILLIOHMS MAX.  
 CONTACT RESISTANCE (AFTER ENVIRONMENTAL TEST), 100 MILLIOHMS  
 CONTACT RESISTANCE (AFTER GAS TEST), 300 MILLIOHMS  
 INSULATION RESISTANCE, 100MΩ MIN@ 100VDC BETWEEN THE SAME POLES  
 DIELECTRIC STRENGTH, 300V AC FOR 1 MINUTE.  
 ELECTRICAL LIFE, 1,000 CYCLES (10mA@5VDC)  
 WITHSTAND VOLTAGE, 300VAC FOR 1 MIN BETWEEN THE SAME POLES

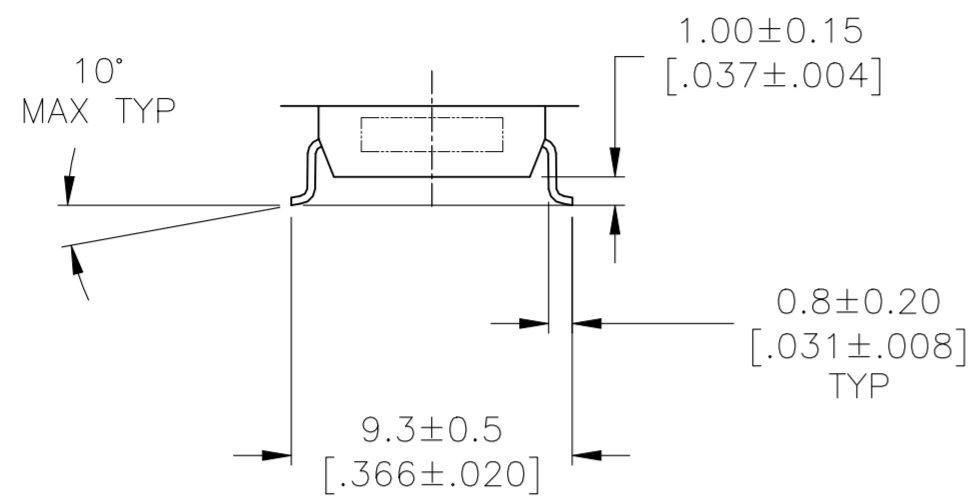
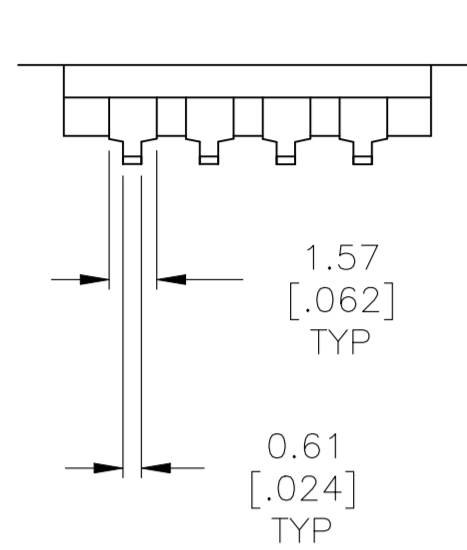
**MECHANICAL**  
 OPERATING FORCE, LESS THAN 800 GRAMS  
 CONTACT PRESSURE, 2.9N MIN.

**ENVIRONMENTAL**  
 OPERATING TEMPERATURE, -30 TO +85 DEGREES C  
 STORAGE TEMPERATURE, -40 TO 85 DEGREES C  
 CLEANING, AQUEOUS OR SOLVENT  
 SOLDER HEAT RESISTANCE, PER 109-201,COND B, SWITCH "OFF".  
 SOLDERABILITY PER JIS C 0050 & JIS C 0053

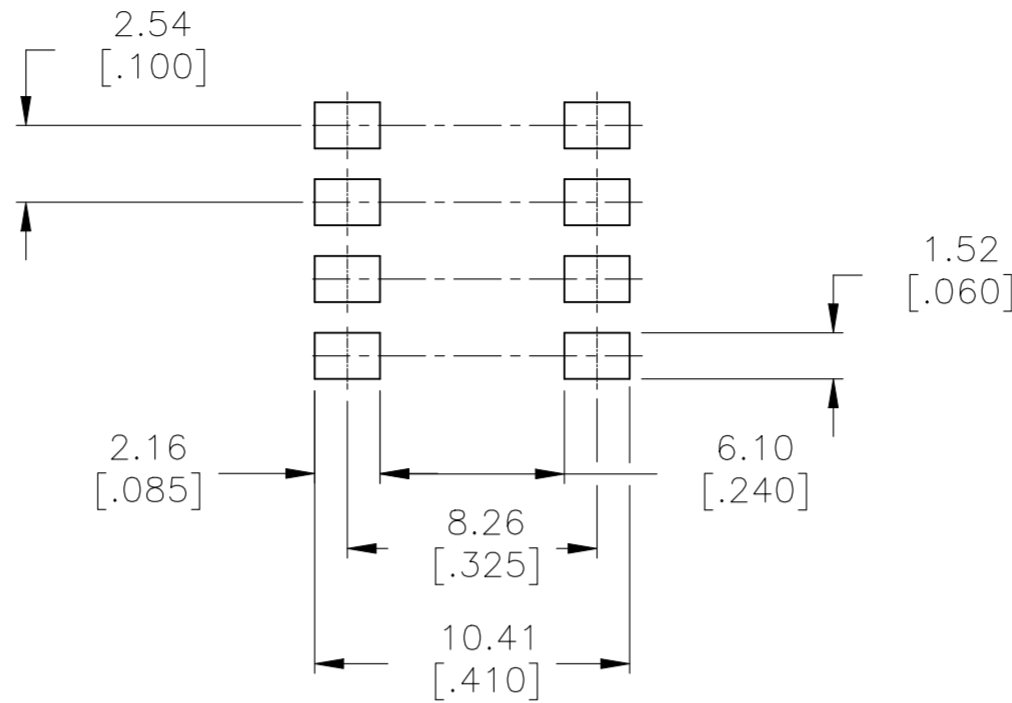
- SWITCHES TO BE RECEIVED IN THE "OFF" POSITION AND PACKAGED IN CLEAR TUBES TO ACCOMMODATE AUTO-INSERTION.
- TOP SURFACE TO BE CLEARLY MARKED AS SHOWN.
- SWITCHES TO BE BLACK WITH WHITE ACTUATORS AND MARKINGS.
- TERMINAL OPTION: OLD T&B P/N ADExxS, SA OR SB  
 S= OUTSIDE "L" TERMINALS; SA= INSIDE "L" TERMINALS;  
 SB= BUTT TERMINALS.
- ALL MATERIALS AND FINISHES SHALL COMPLY WITH EU DIRECTIVE 2002/95/EC OF 27JAN2003 (ROHS).
- OBsolete PARTS: OBSOLETE CIS STREAMLINING PER D.RENAUD/D.SINISI.
- TAPE AND REEL PACKING PER PAGE 3 SPECIFICATIONS.

THIS DRAWING IS A CONTROLLED DOCUMENT.		DWN B.S.VISWESWARA	10FEB05	TE Connectivity	
DIMENSIONS: mm [INCHES]		CHK M.SARVER	APVD M.SARVER		
TOLERANCES UNLESS OTHERWISE SPECIFIED: 0 PLC ± - 1 PLC ± - 2 PLC ± 0.30[0.012] 3 PLC ± - 4 PLC ± - ANGLES ± -		PRODUCT SPEC APPLICATION SPEC		SIZE A2	CAGE CODE -
MATERIAL -		FINISH -		DRAWING NO C=1825058	RESTRICTED TO -
CUSTOMER DRAWING				SCALE 4:1	SHEET 1 OF 3
				REV T2	

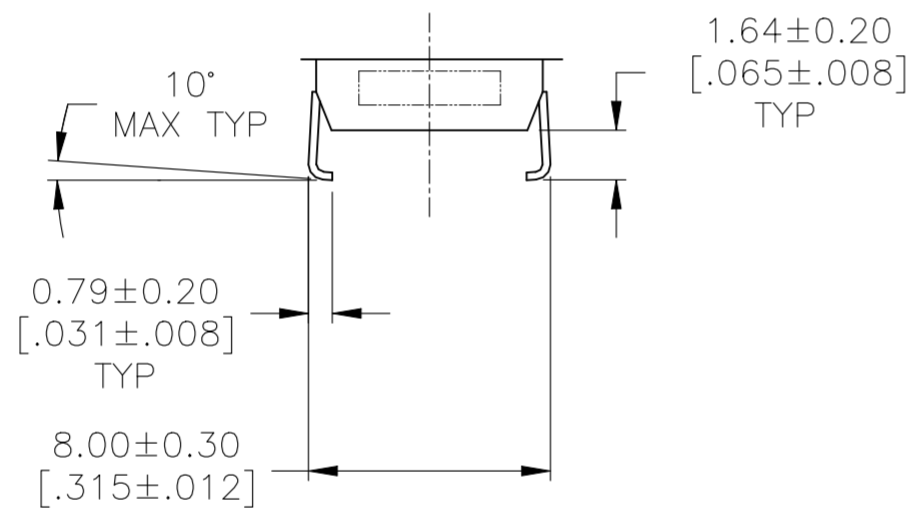
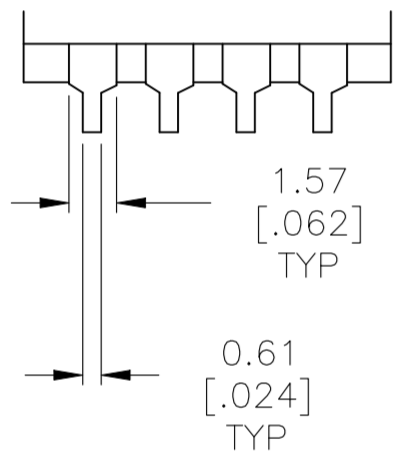
REVISIONS					
P	LTR	DESCRIPTION	DATE	DWN	APVD
-	-	SEE SHEET 1	-	-	-



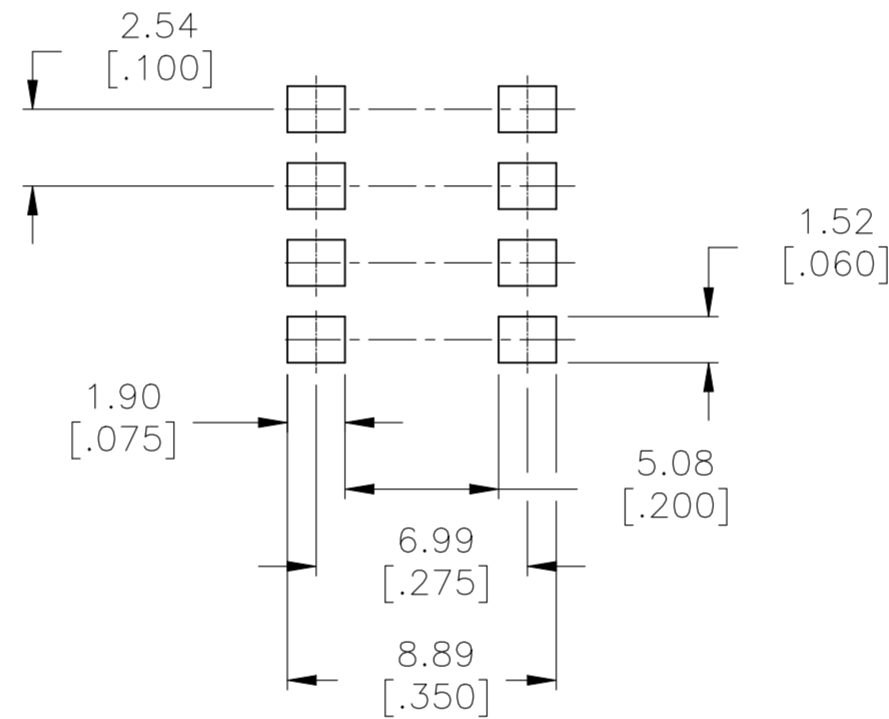
**SURFACE MOUNT**  
S (OUTSIDE "L")



**RECOMMENDED PAD LAYOUT**



**SURFACE MOUNT**  
SA (INSIDE "L")

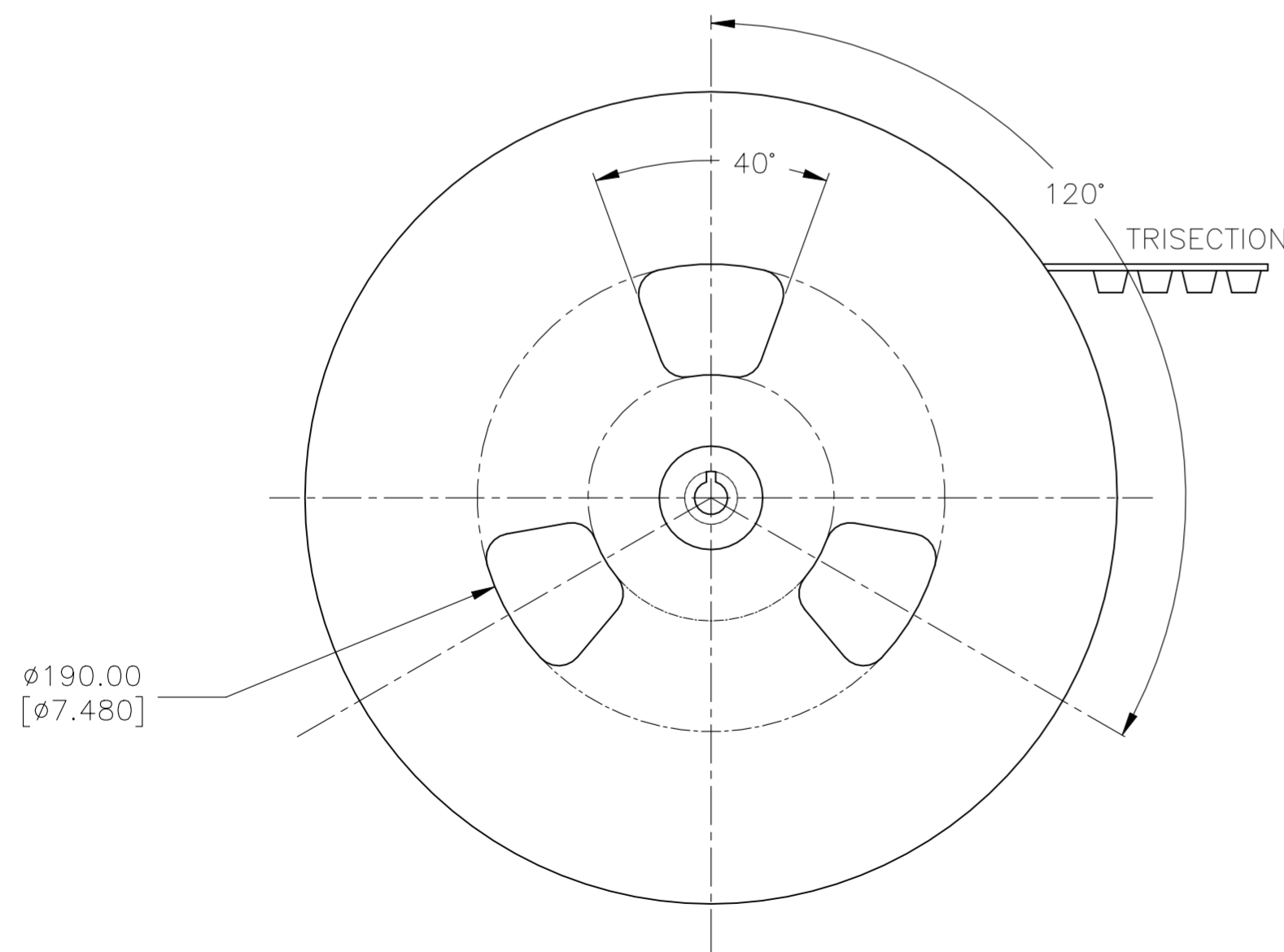
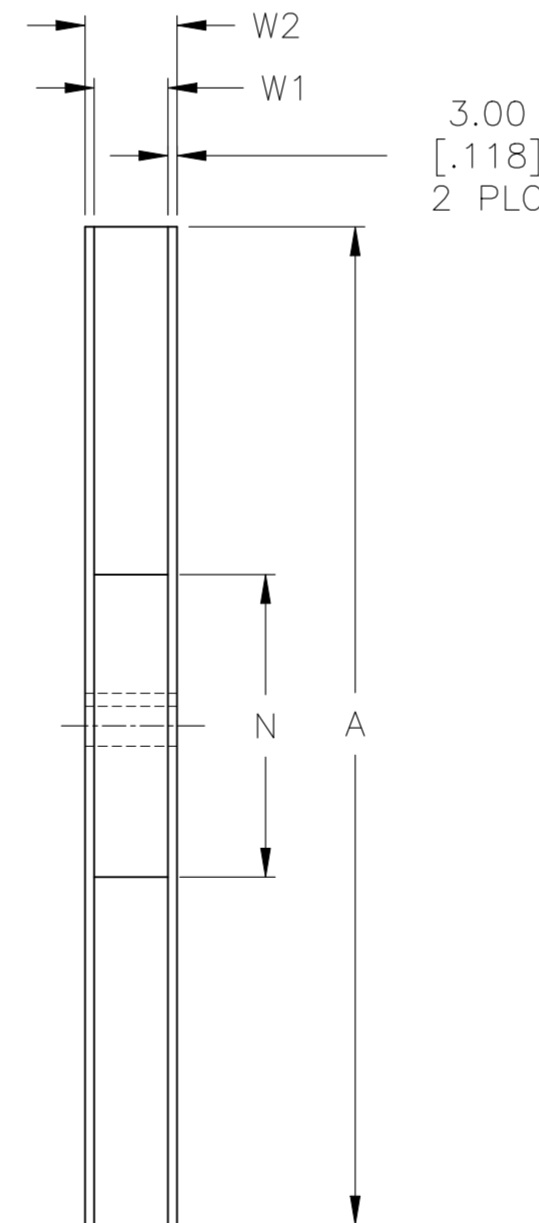
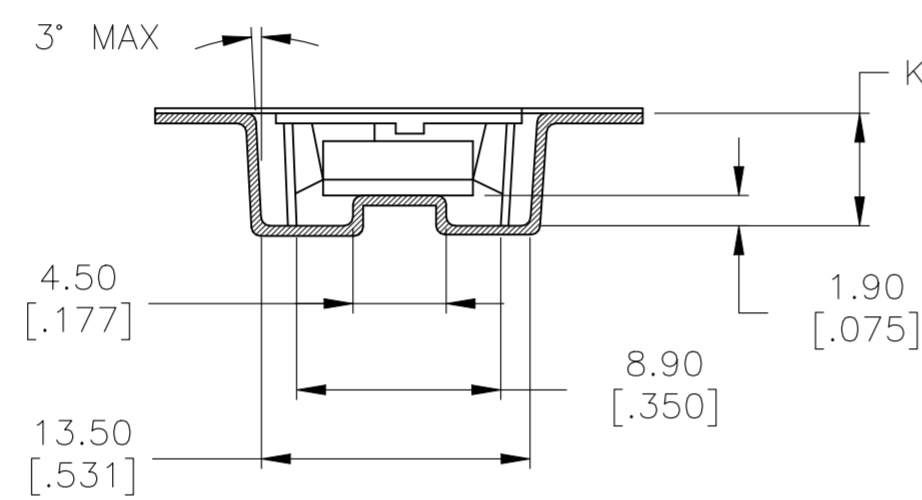
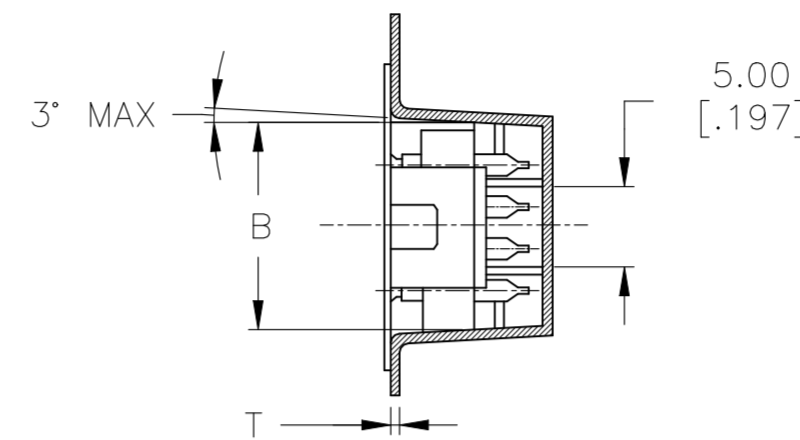
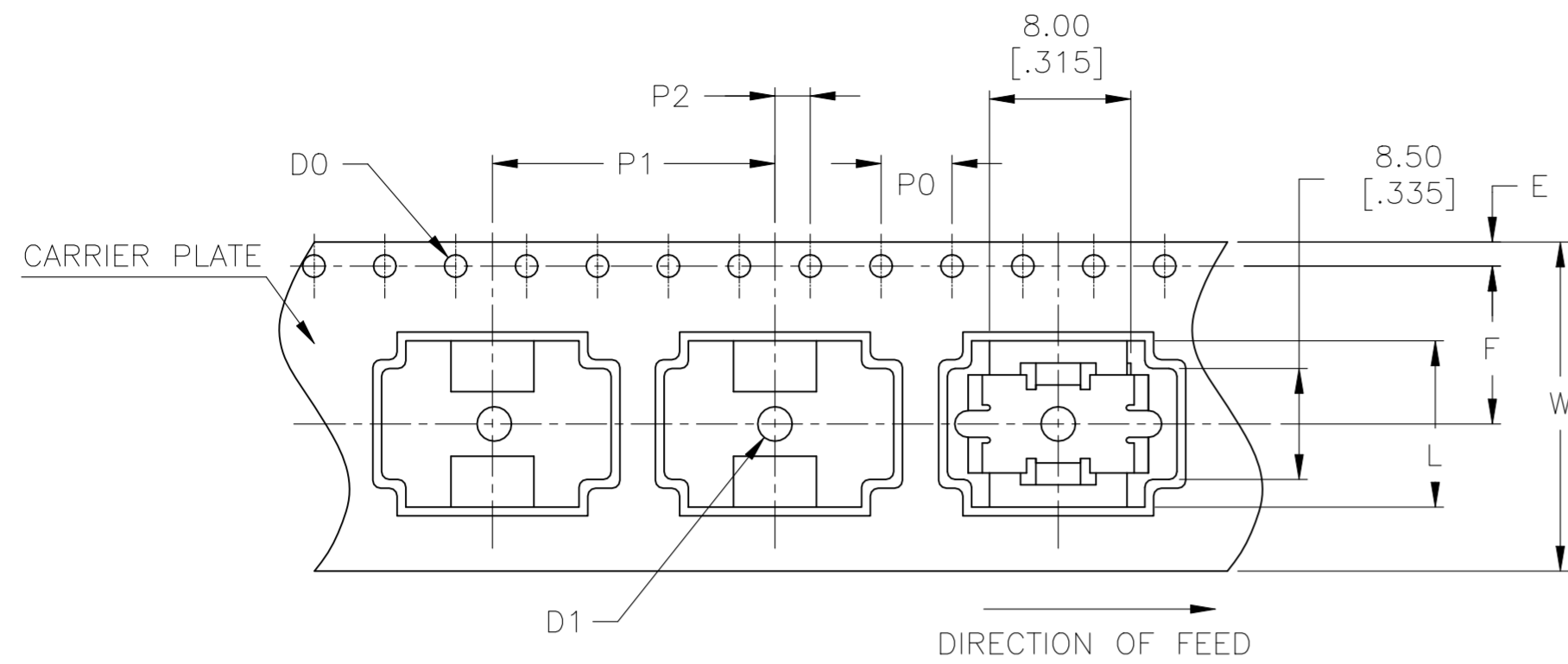


**RECOMMENDED PAD LAYOUT**

	ADE12STR04	32.51	[1.280]	12	4-1825058-1
	ADE10STR04	27.30	[1.075]	10	4-1825058-0
	ADE09STR04	24.54	[.978]	9	3-1825058-9
	ADE08STR04	22.30	[.878]	8	3-1825058-8
	ADE07STR04	19.76	[.778]	7	3-1825058-7
	ADE06STR04	17.22	[.678]	6	3-1825058-6
	ADE05STR04	14.68	[.578]	5	3-1825058-5
	ADE04STR04	12.14	[.478]	4	3-1825058-4
	ADE03STR04	9.60	[.378]	3	3-1825058-3
	ADE02STR04	7.00	[.276]	2	3-1825058-2
	ADE04SATR04	12.14	[.478]	4	3-1825058-1
<b>OBSOLETE</b>	ADE12SB04	32.51	[1.280]	12	3-1825058-0
	ADE12SA04	32.51	[1.280]	12	2-1825058-9
<b>OBSOLETE</b>	ADE10SB04	27.30	[1.075]	10	2-1825058-7
	ADE10SA04	27.30	[1.075]	10	2-1825058-6
<b>OBSOLETE</b>	ADE09SB04	24.54	[.978]	9	2-1825058-4
	ADE09SA04	24.54	[.978]	9	2-1825058-3
<b>OBSOLETE</b>	ADE08SB04	22.30	[.878]	8	2-1825058-1
	ADE08SA04	22.30	[.878]	8	2-1825058-0
	ADE08S04	22.30	[.878]	8	1-1825058-9
	ADE07SB04	19.76	[.778]	7	1-1825058-8
	ADE07SA04	19.76	[.778]	7	1-1825058-7
<b>OBSOLETE</b>	ADE07S04	19.76	[.778]	7	1-1825058-6
<b>OBSOLETE</b>	ADE06SB04	17.22	[.678]	6	1-1825058-5
	ADE06SA04	17.22	[.678]	6	1-1825058-4
	ADE06S04	17.22	[.678]	6	1-1825058-3
	ADE05SB04	14.68	[.578]	5	1-1825058-2
	ADE05SA04	14.68	[.578]	5	1-1825058-1
	ADE05S04	14.68	[.578]	5	1-1825058-0
	ADE04SB04	12.14	[.478]	4	1825058-9
	ADE04SA04	12.14	[.478]	4	1825058-8
	ADE04S04	12.14	[.478]	4	1825058-7
<b>OBSOLETE</b>	ADE03SB04	9.60	[.378]	3	1825058-6
	ADE03SA04	9.60	[.378]	3	1825058-5
	ADE03S04	9.60	[.378]	3	1825058-4
<b>OBSOLETE</b>	ADE02SB04	7.00	[.276]	2	1825058-3
	ADE02SA04	7.00	[.276]	2	1825058-2
	ADE02S04	7.00	[.276]	2	1825058-1
	T&B P/N	DIM L	POSITION	PART NO.	

THIS DRAWING IS A CONTROLLED DOCUMENT.		DWN B.S.VISWESWARA 10FEB05		
DIMENSIONS: mm [INCHES]		CHK M.SARVER		
TOLERANCES UNLESS OTHERWISE SPECIFIED:		APVD M.SARVER	NAME	
0 PLC ± -		PRODUCT SPEC	DIP SWITCH, ADE-SMT SERIES	
1 PLC ± -		APPLICATION SPEC	SIZE	CAGE CODE
2 PLC ± 0.30[.012]		WEIGHT	DRAWING NO	RESTRICTED TO
3 PLC ± -			A2	-
4 PLC ± -			C=1825058	
ANGLES ± -			SCALE	SHEET
MATERIAL			4:1	2 OF 3
FINISH			REV	T2
		CUSTOMER DRAWING		

P	LTR	DESCRIPTION	DATE	DWN	APVD
-	-	SEE SHEET 1	-	-	-



	DESCRIPTION	MATERIAL	DIMENSION	FINISH	REMARKS
1	REEL	SIDE: CARDBOARD CORE: STYLOFOAM	MENTIONED BELOW		
2	EMBOSSSED TAPE	-	MENTIONED BELOW	ANTISTATIC	BLACK
3	TOP COVER TAPE	-	MENTIONED BELOW	ANTISTATIC	TRANSPARENT

4P	$\phi 330.00 \pm 2.10$ [12.992 ± 0.082]	$\phi 100$ [3.940]	$24.40 \pm 0.00$ [.960 ± .790]	$30.40$ [1.997]
NO OF POSITION	A	N (MIN)	W1	W2 (MAX)

4P	$\phi 1.50 \pm 0.10$ [.059 ± .003]	$4.00 \pm 0.10$ [.157 ± .003]	$16.00 \pm 0.10$ [.629 ± .003]	$2.00 \pm 0.15$ [.078 ± .005]	$11.50 \pm 0.10$ [.453 ± .003]	$7.40 \pm 0.10$ [.291 ± .003]
NO OF POSITION	D1	P0	P1	P2	F	K

4P	$24.00 \pm 0.30$ [.944 ± .011]	$12.90 \pm 0.10$ [.507 ± .003]	$1.75 \pm 0.10$ [.068 ± .003]	$0.50 \pm 0.05$ [.020 ± .001]	$12.14 \pm 0.50$ [.477 ± .020]	$\phi 1.50 \pm 0.10$ [.059 ± .003]
NO OF POSITION	W	B	E	T	L	DO

THIS DRAWING IS A CONTROLLED DOCUMENT.

DWN B.S.VISWESWARA 10FEB05		NAME	
CHK M.SARVER		DRAWING NO	C=1825058
APVD M.SARVER		SCALE	4:1
PRODUCT SPEC		SHEET	3 OF 3
APPLICATION SPEC	RESTRICTED TO		
MATERIAL	WEIGHT		
FINISH	CUSTOMER DRAWING		

REVISIONS: 10FEB05, B.S.VISWESWARA, M.SARVER, M.SARVER, PRODUCT SPEC, APPLICATION SPEC, WEIGHT, SCALE 4:1, SHEET 3 OF 3, REV T2