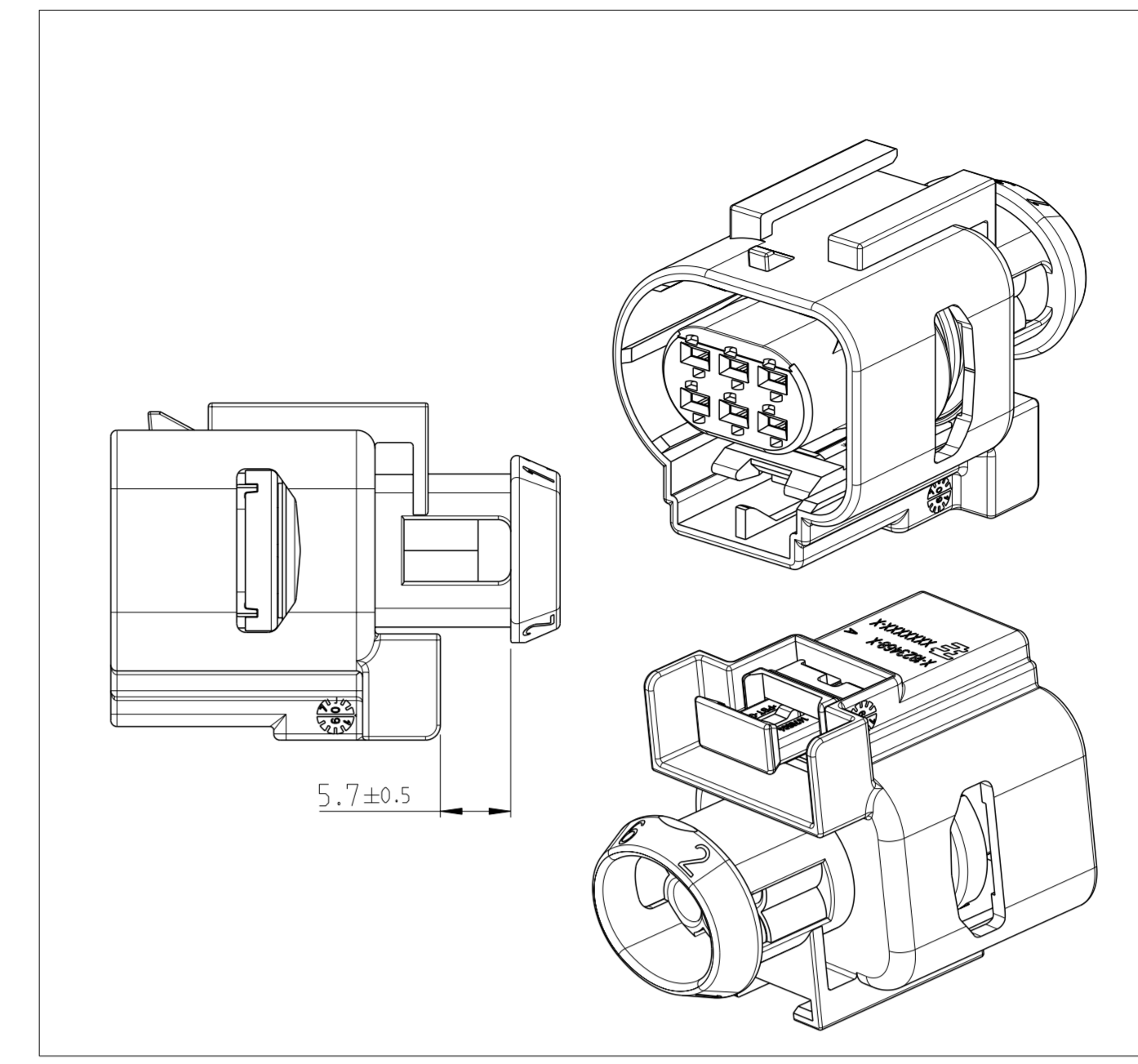
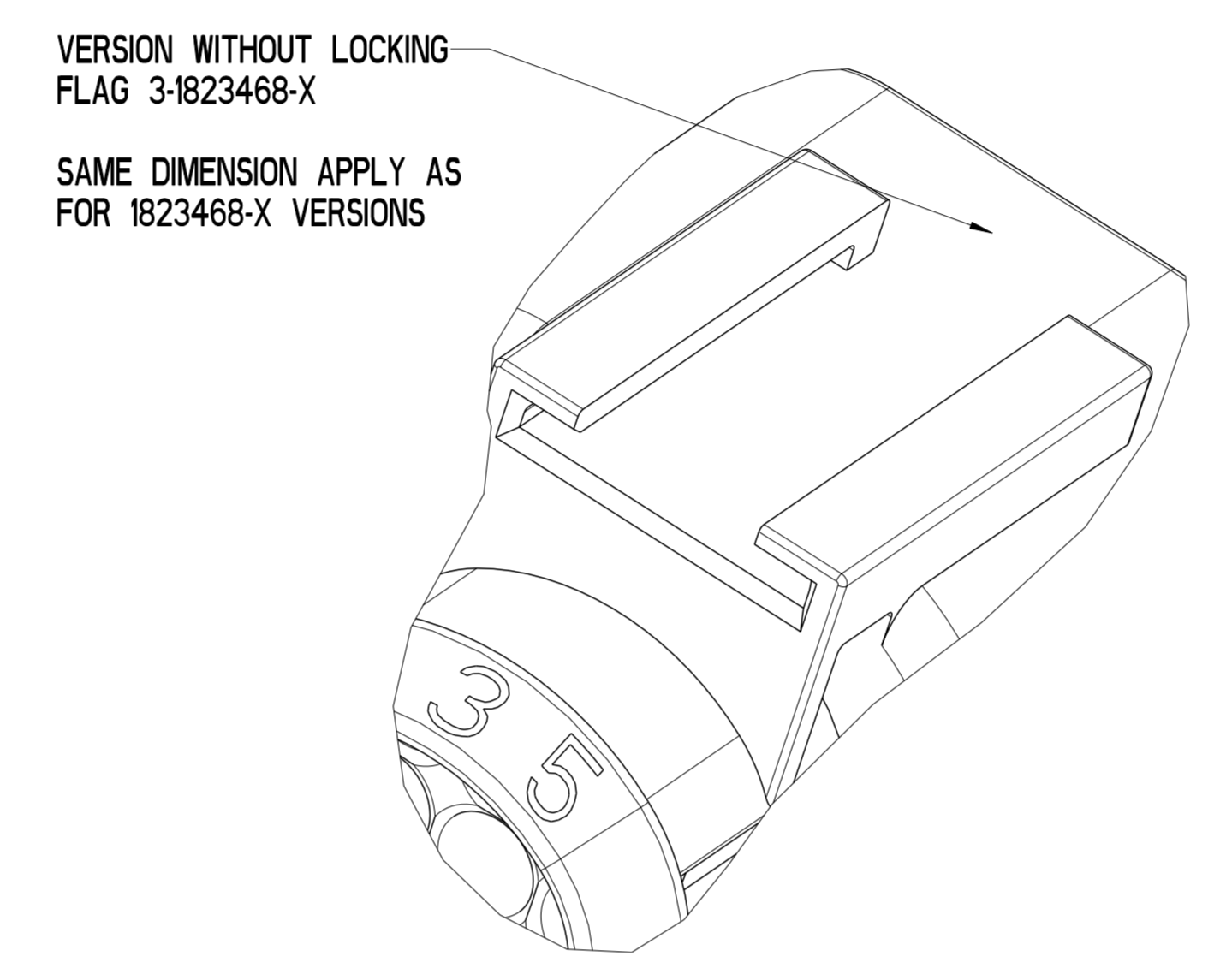
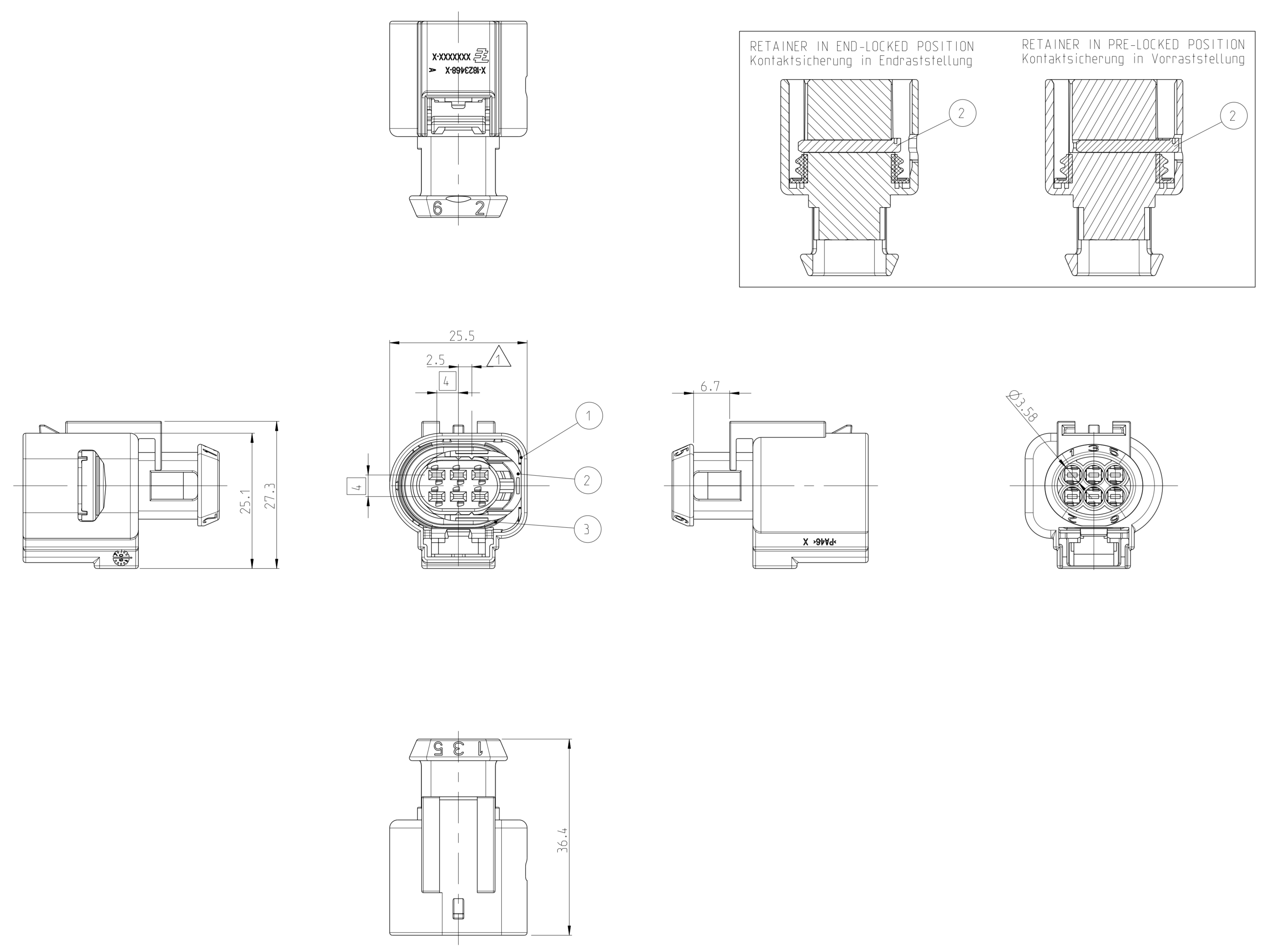
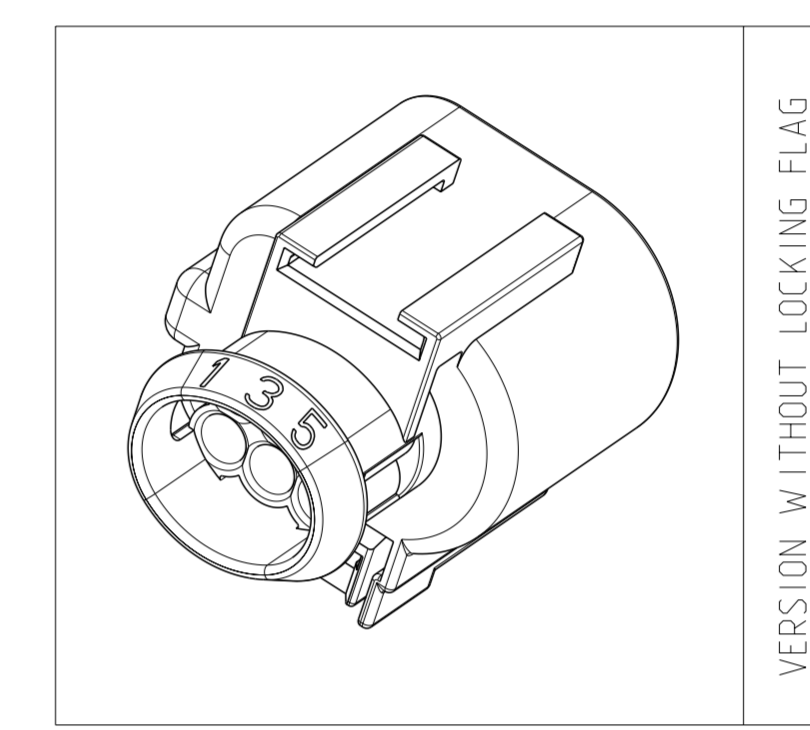


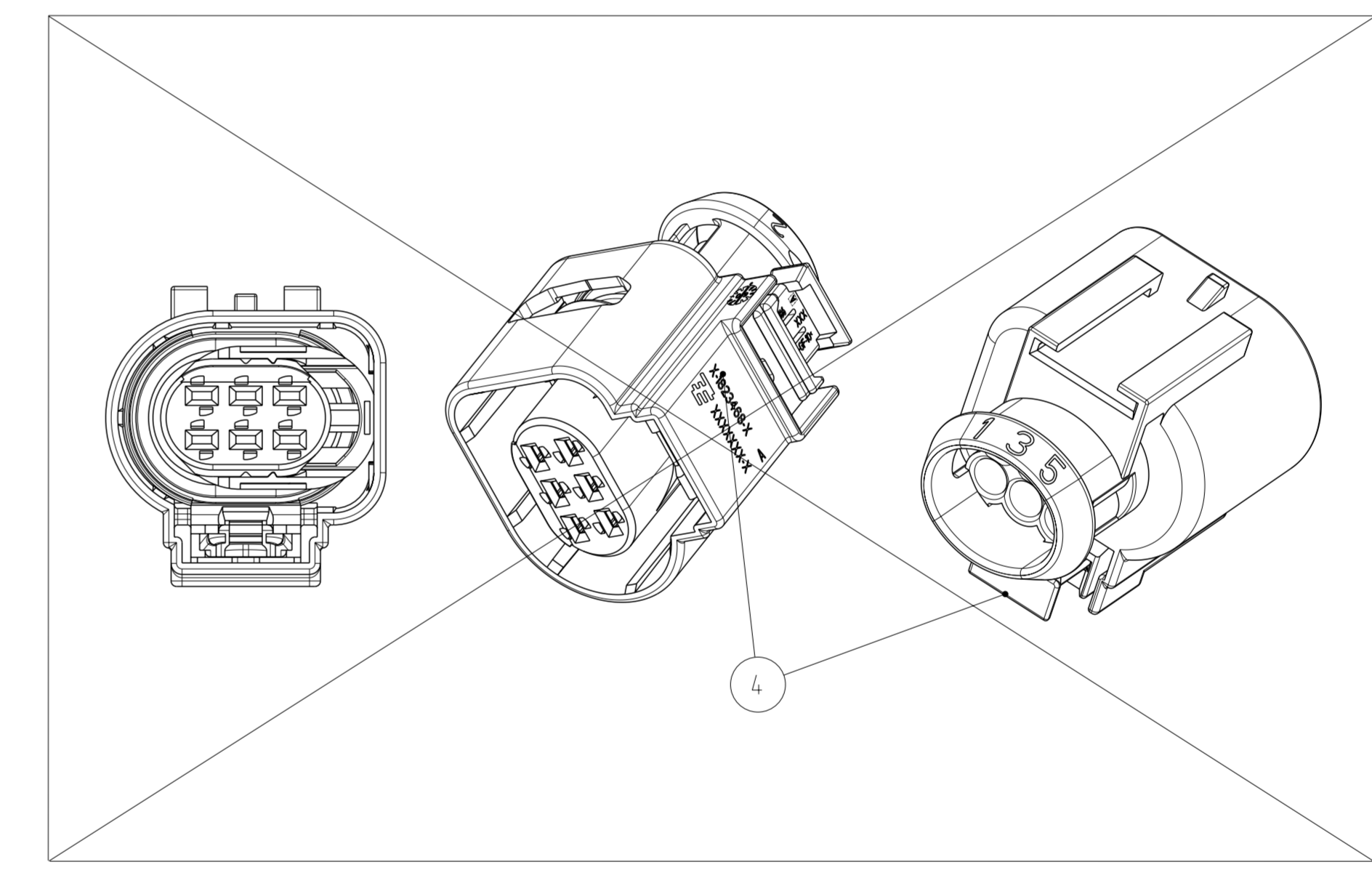
REVISIONS				
REV	DATE	DESCRIPTION	BY	APP'D
C 10	ECR-15-016262			
C 11	ECR-16-001421			
C 12	ECR-16-012575			
C 13	ECR-21-126515			



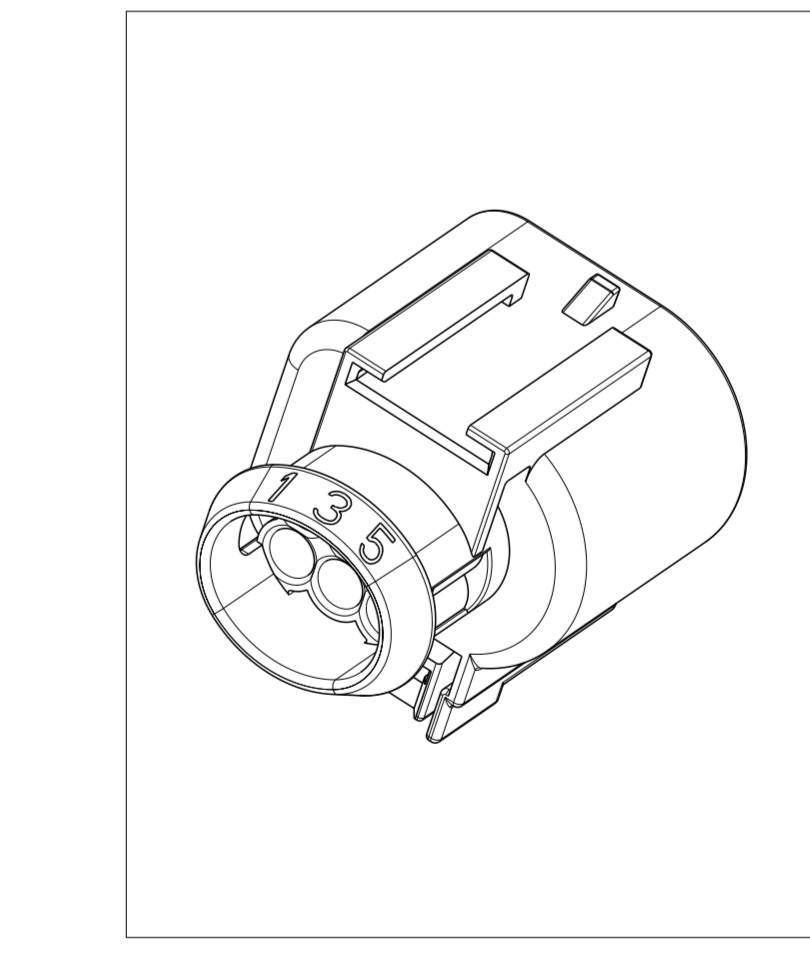
REV	DATE	DESCRIPTION	BY	APP'D
H	0-2309220-9	PBT-GF10 RED CPA... RADIAL SEAL... 0.7		
A	4-2309220-8	PBT-GF10 VIOLET RETAINER... 0.7		
H	5-2309220-8	PBT-GF10 RED CPA... RADIAL SEAL... 0.7		
H	2-2309220-8	PBT-GF10 VIOLET RETAINER... 0.7		
G	2-2309220-7	PBT-GF10 VIOLET RETAINER... 0.7		
F	2-2309220-6	PBT-GF10 VIOLET RETAINER... 0.7		
E	2-2309220-5	PBT-GF10 VIOLET RETAINER... 0.7		
D	2-2309220-4	PBT-GF10 VIOLET RETAINER... 0.7		
C	2-2309220-3	PBT-GF10 VIOLET RETAINER... 0.7		
B	2-2309220-2	PBT-GF10 VIOLET RETAINER... 0.7		
A	2-2309220-1	PBT-GF10 VIOLET RETAINER... 0.5		



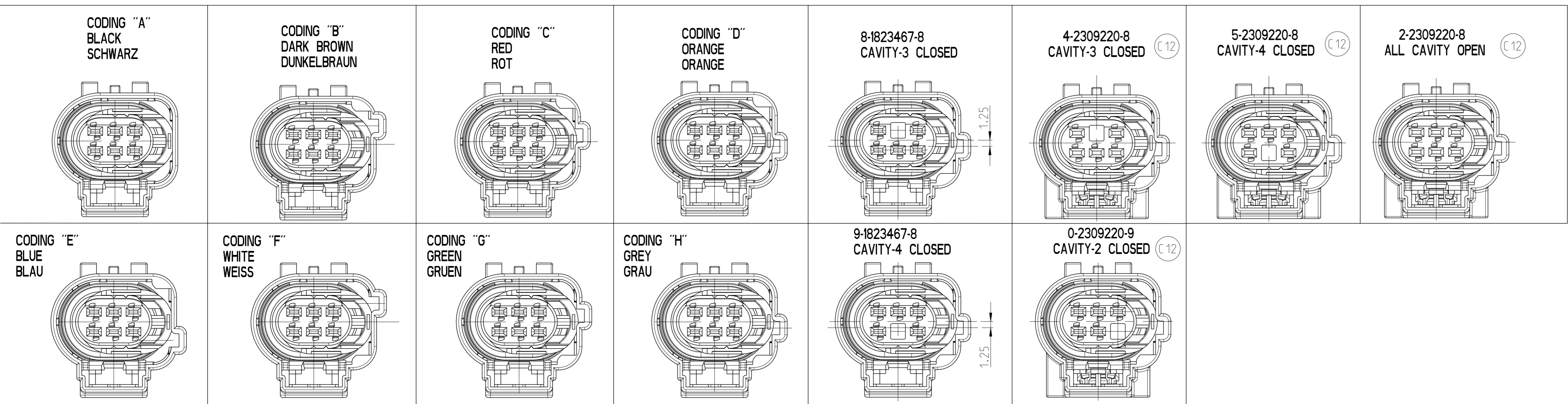
REV	DATE	DESCRIPTION	BY	APP'D
H	3-1823467-6	PBT-GF10 VIOLET RETAINER... 0.7		
G	3-1823467-7	PBT-GF10 VIOLET RETAINER... 0.7		
F	3-1823467-8	PBT-GF10 VIOLET RETAINER... 0.7		
E	3-1823467-5	PBT-GF10 VIOLET RETAINER... 0.7		
D	3-1823467-4	PBT-GF10 VIOLET RETAINER... 0.7		
C	3-1823467-3	PBT-GF10 VIOLET RETAINER... 0.7		
B	3-1823467-2	PBT-GF10 VIOLET RETAINER... 0.7		
A	3-1823467-1	PBT-GF10 VIOLET RETAINER... 0.7		



REV	DATE	DESCRIPTION	BY	APP'D
H	6-1823467-8	PBT-GF10 RED CPA... RADIAL SEAL... 0.5		
H	2-1823467-8	PBT-GF10 VIOLET RETAINER... 0.5		
H	1-1823467-8	PBT-GF10 VIOLET RETAINER... 0.5		
G	1-1823467-7	PBT-GF10 VIOLET RETAINER... 0.5		
F	1-1823467-6	PBT-GF10 VIOLET RETAINER... 0.5		
E	1-1823467-5	PBT-GF10 VIOLET RETAINER... 0.5		
D	1-1823467-4	PBT-GF10 VIOLET RETAINER... 0.5		
C	1-1823467-3	PBT-GF10 VIOLET RETAINER... 0.5		
B	1-1823467-2	PBT-GF10 VIOLET RETAINER... 0.5		
A	1-1823467-1	PBT-GF10 VIOLET RETAINER... 0.3		



REV	DATE	DESCRIPTION	BY	APP'D
H	0-1823467-8	PBT-GF10 VIOLET RETAINER... 0.7		
H	9-1823467-8	PBT-GF10 VIOLET RETAINER... 0.7		
H	1823467-8	PBT-GF10 VIOLET RETAINER... 0.7		
G	1823467-7	PBT-GF10 VIOLET RETAINER... 0.7		
F	1823467-6	PBT-GF10 VIOLET RETAINER... 0.7		
E	1823467-5	PBT-GF10 VIOLET RETAINER... 0.7		
D	1823467-4	PBT-GF10 VIOLET RETAINER... 0.7		
C	1823467-3	PBT-GF10 VIOLET RETAINER... 0.7		
B	1823467-2	PBT-GF10 VIOLET RETAINER... 0.7		
A	1823467-1	PBT-GF10 VIOLET RETAINER... 0.7		



NOTES
 Behauptungen
 1 DELIVERY CONDITION, RETAINER IN PER-LOCK POSITION
 Anlieferungsstatus, Kontaktsicherung in Vorraststellung
 2 TERMINALS, SEE TE DRAWING: 1241436
 Kontakte, siehe TE Zeichnung: 1241436
 3 INTERFACE ACC. TO TE SPECIFICATION No. 114-18375-1
 Schnittstelle nach TE Spezifikation No. 114-18375-1
 4 BULK PACKAGED
 Schüttgut verpackt

THIS DRAWING IS A CONTROLLED DOCUMENT.		REV: 18MAY2009	DATE: 18MAY2009
DRAWN BY: J. Ashour		CH: J. Ripper	APP'D: J. Ripper
DIMENSIONS: 1/16" (0.625mm) UNLESS OTHERWISE SPECIFIED		PRODUCT SPEC: 6POS. AMP MCP1.5K, REC. HOUSING	
MATERIAL: S.T.A.B.		APPLICATION SPEC: 6POLIG. AMP MCP1.5K. BUCHSENGEHAUE ASSY	
FINISH: -		SIZE: 00779	
CUSTOMER DRAWING		SCALE: 2:1	