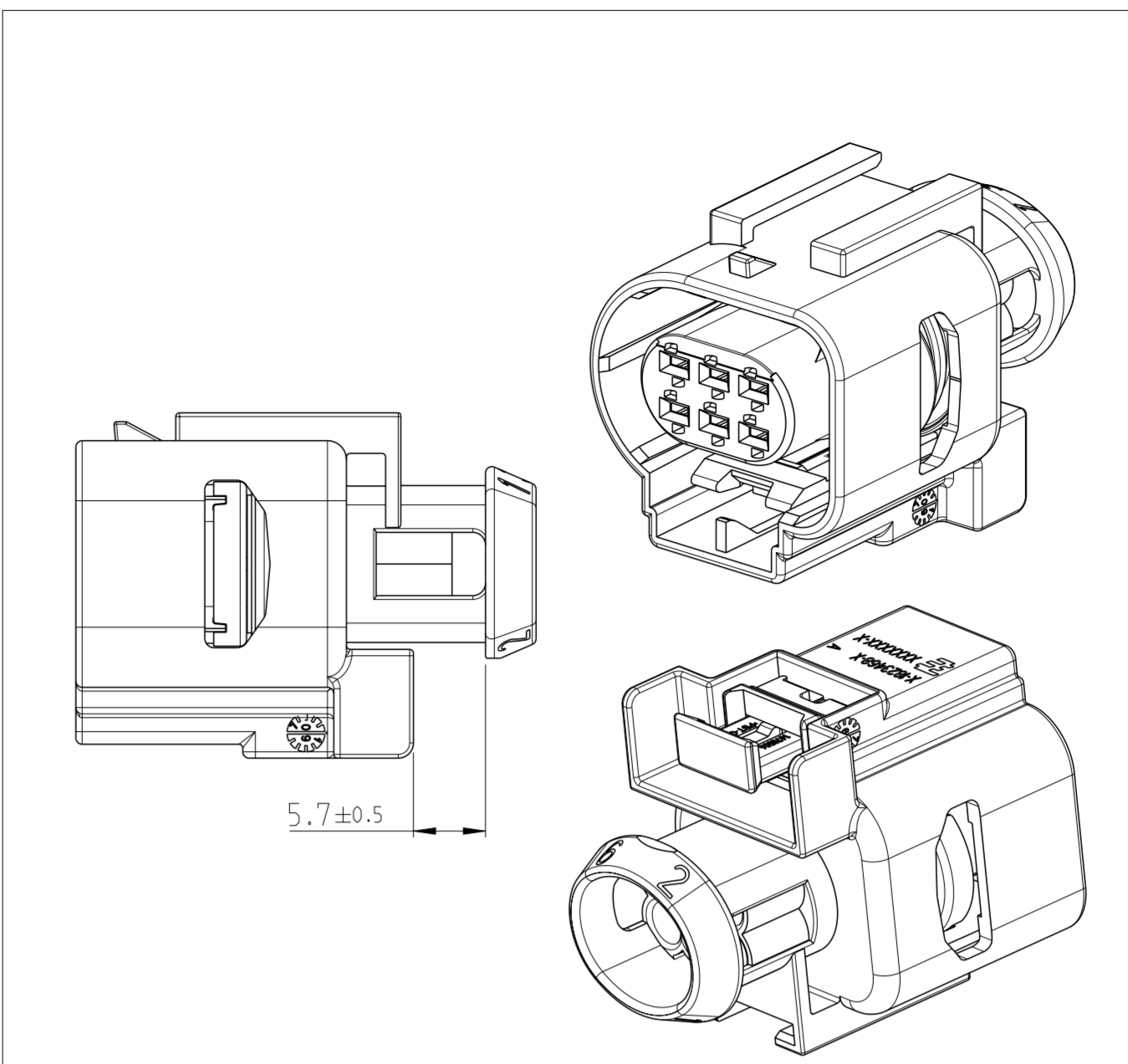
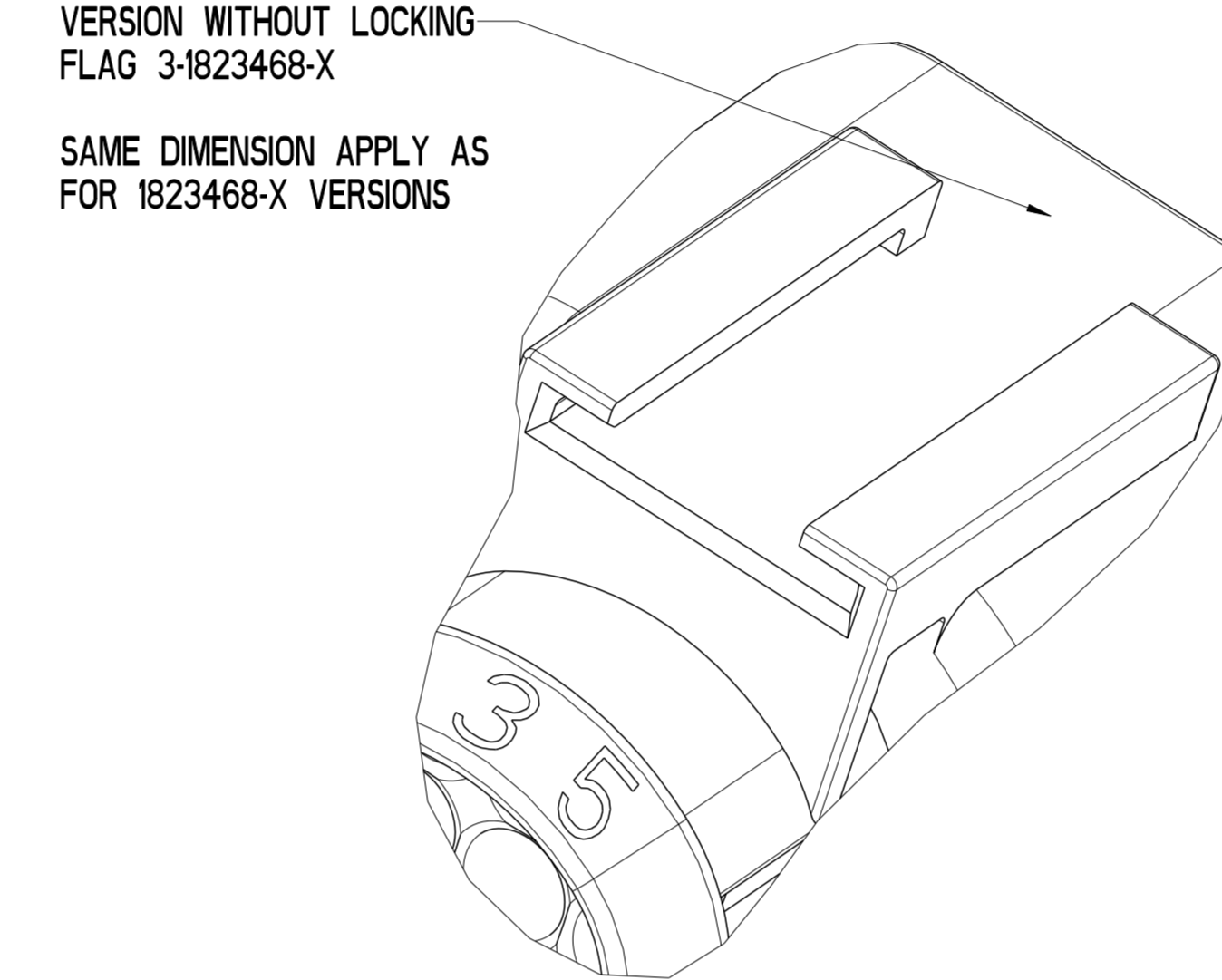
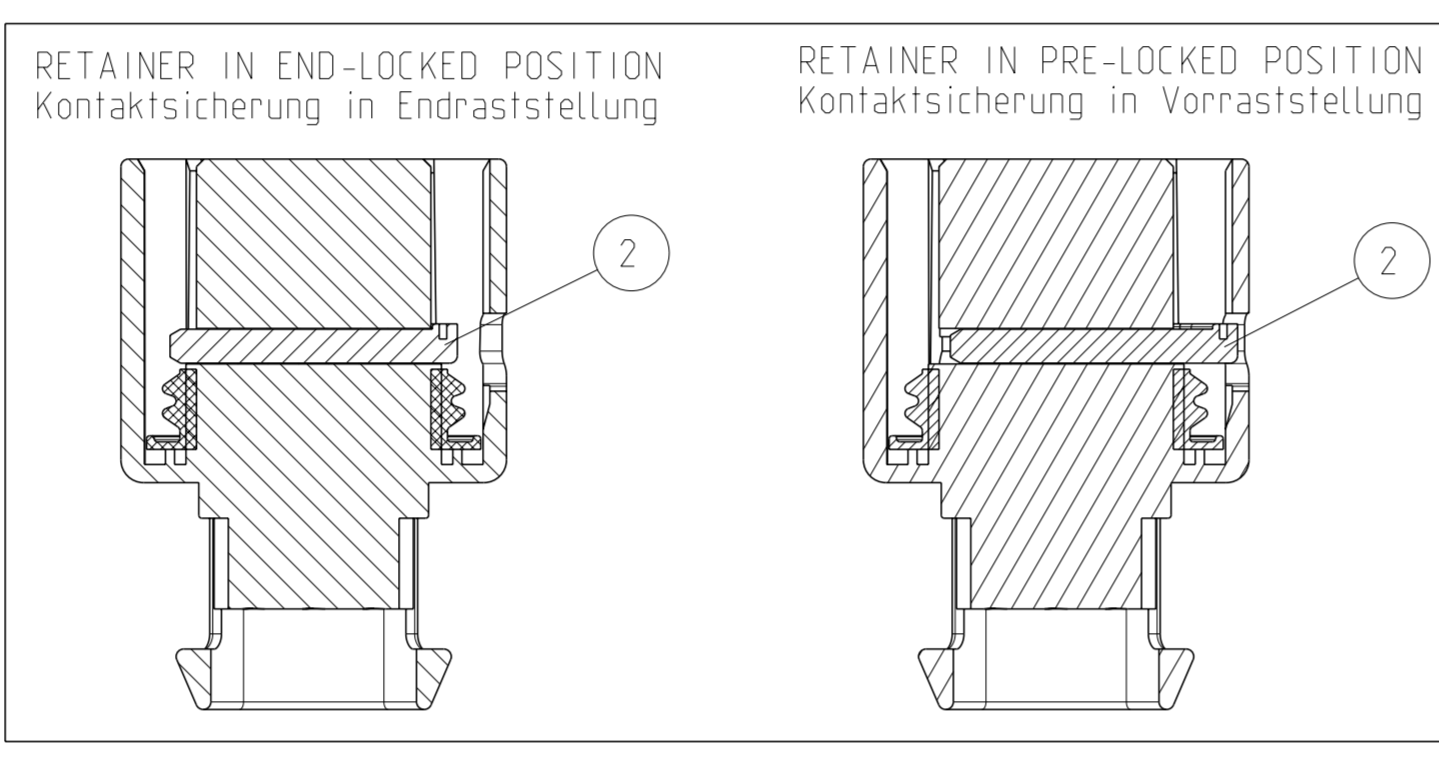
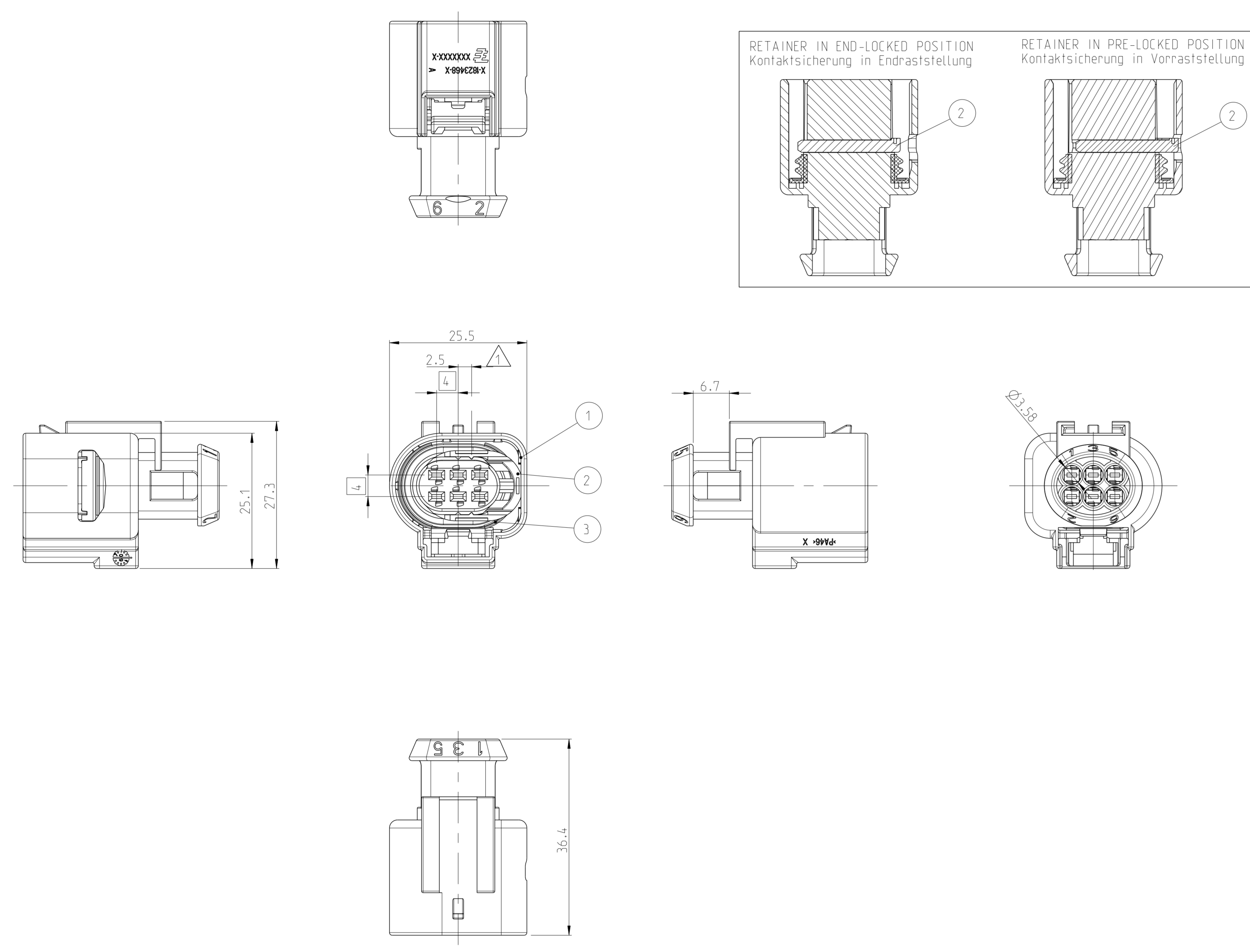
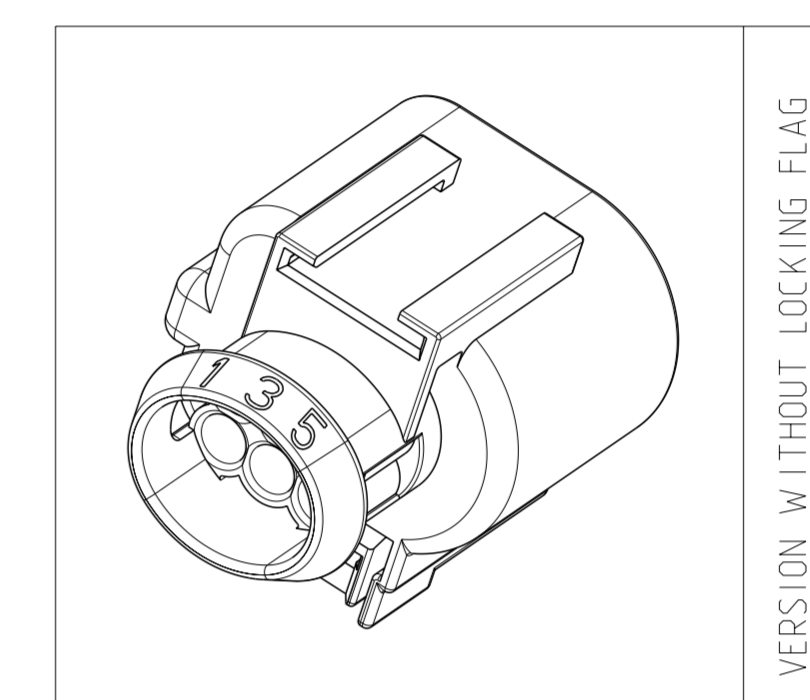


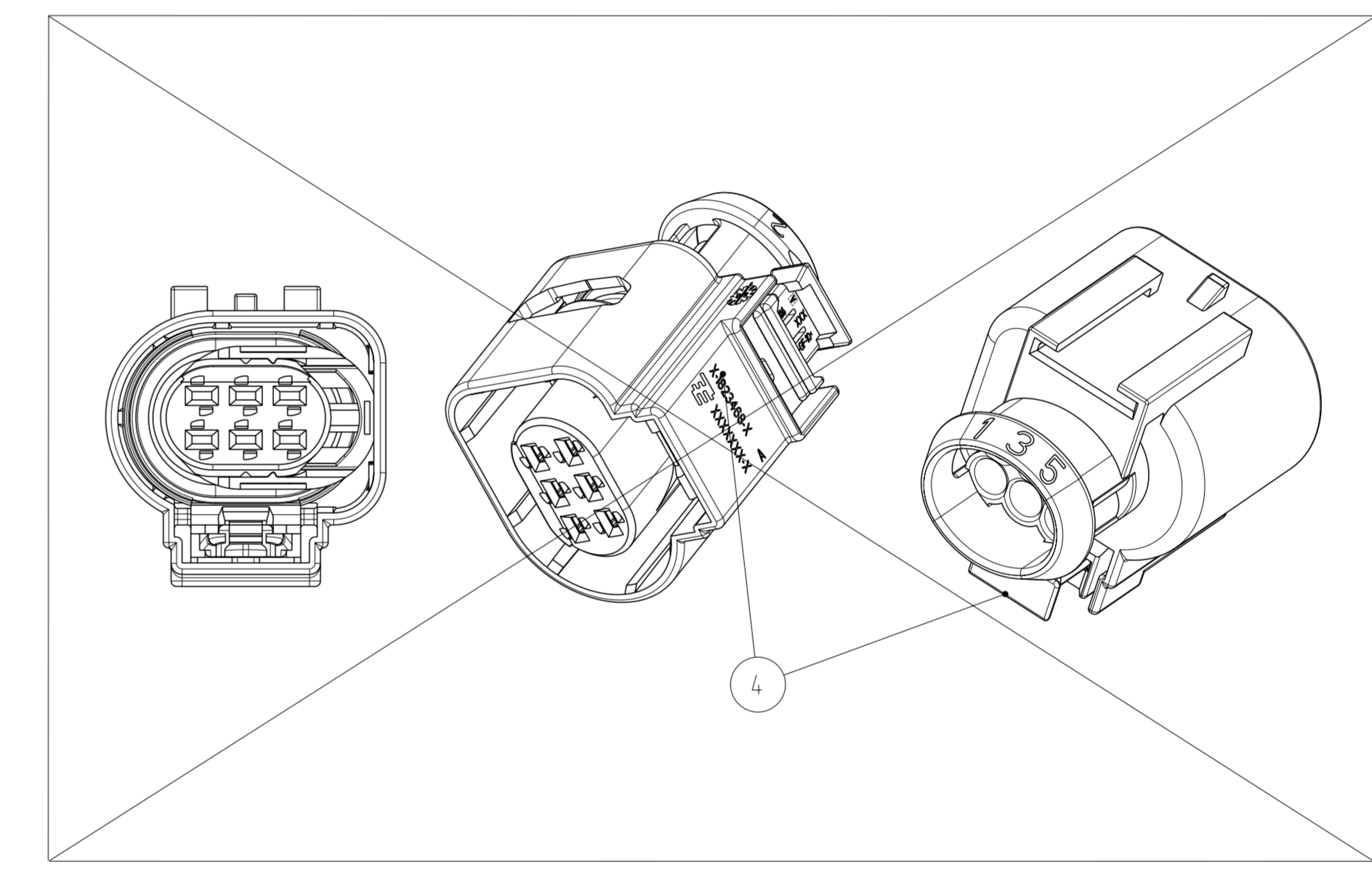
REV.	DATE	DESCRIPTION	BY	CHK	APP
C 10	ECR-15-016262				
C 11	ECR-16-001421				
C 12	ECR-16-012575				
C 13	ECR-21-126515				



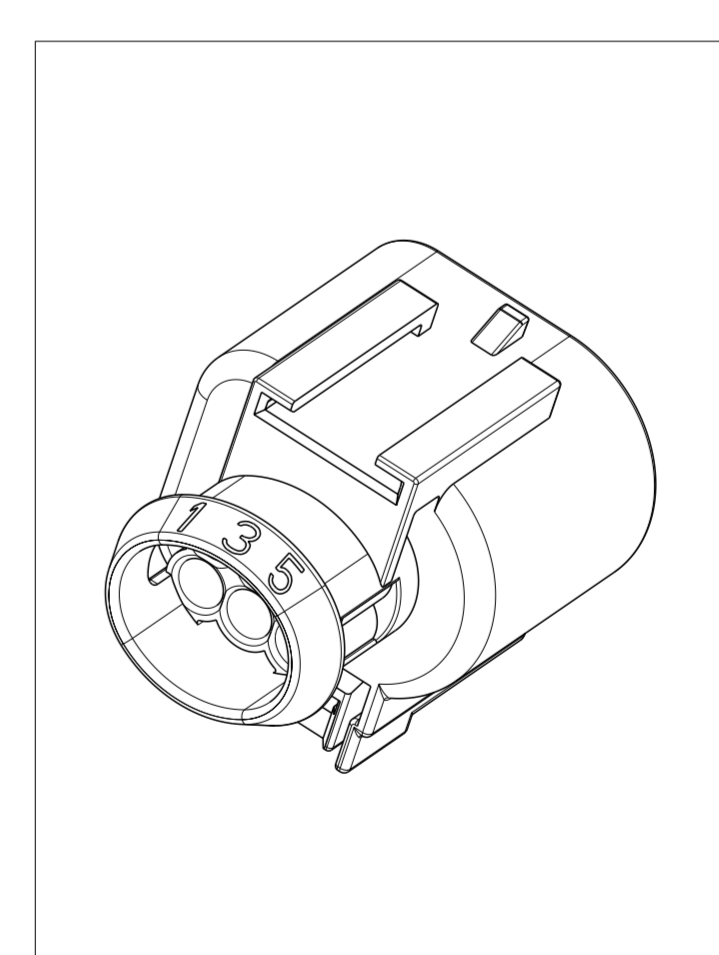
REV.	DATE	DESCRIPTION	BY	CHK	APP
H	0-2309220-9	PBT-GF10 RED CPA... RADIAL SEAL...			
H	4-2309220-8	PBT-GF10 VIOLET CPA... RADIAL SEAL...			
H	5-2309220-8	PBT-GF10 VIOLET CPA... RADIAL SEAL...			
H	2-2309220-8	PBT-GF10 VIOLET CPA... RADIAL SEAL...			
G	2-2309220-7	PBT-GF10 VIOLET CPA... RADIAL SEAL...			
F	2-2309220-6	PBT-GF10 VIOLET CPA... RADIAL SEAL...			
E	2-2309220-5	PBT-GF10 VIOLET CPA... RADIAL SEAL...			
D	2-2309220-4	PBT-GF10 VIOLET CPA... RADIAL SEAL...			
C	2-2309220-3	PBT-GF10 VIOLET CPA... RADIAL SEAL...			
B	2-2309220-2	PBT-GF10 VIOLET CPA... RADIAL SEAL...			
A	2-2309220-1	PBT-GF10 VIOLET CPA... RADIAL SEAL...			



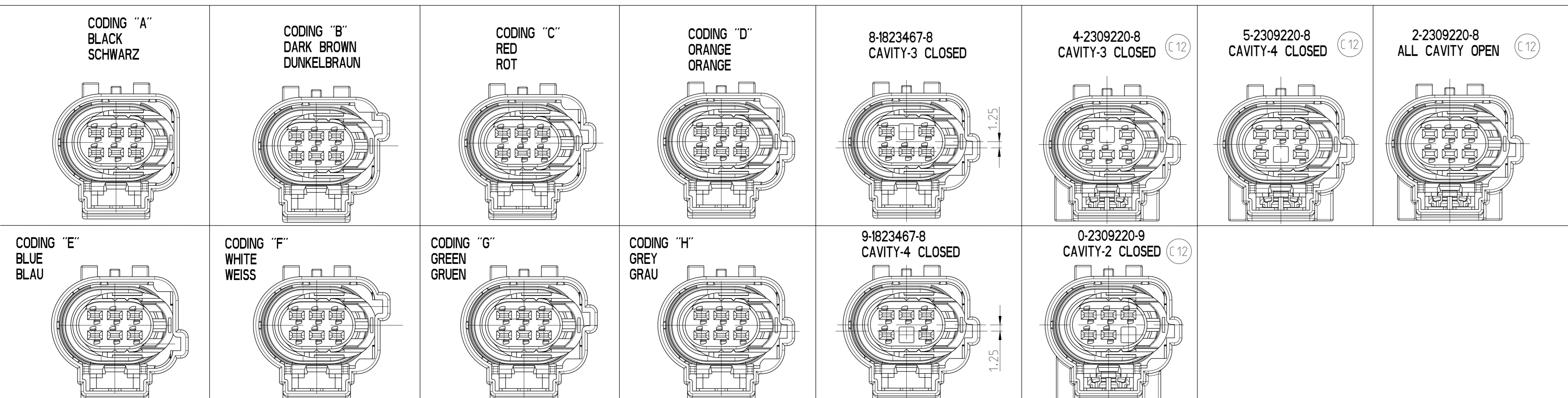
REV.	DATE	DESCRIPTION	BY	CHK	APP
H	3-1823467-6	PBT-GF10 VIOLET CPA... RADIAL SEAL...			
G	3-1823467-7	PBT-GF10 VIOLET CPA... RADIAL SEAL...			
F	3-1823467-8	PBT-GF10 VIOLET CPA... RADIAL SEAL...			
E	3-1823467-5	PBT-GF10 VIOLET CPA... RADIAL SEAL...			
D	3-1823467-4	PBT-GF10 VIOLET CPA... RADIAL SEAL...			
C	3-1823467-3	PBT-GF10 VIOLET CPA... RADIAL SEAL...			
B	3-1823467-2	PBT-GF10 VIOLET CPA... RADIAL SEAL...			
A	3-1823467-1	PBT-GF10 VIOLET CPA... RADIAL SEAL...			



REV.	DATE	DESCRIPTION	BY	CHK	APP
H	6-1823467-8	PBT-GF10 RED CPA... RADIAL SEAL...			
H	2-1823467-8	PBT-GF10 VIOLET CPA... RADIAL SEAL...			
H	1-1823467-8	PBT-GF10 VIOLET CPA... RADIAL SEAL...			
G	1-1823467-7	PBT-GF10 VIOLET CPA... RADIAL SEAL...			
F	1-1823467-6	PBT-GF10 VIOLET CPA... RADIAL SEAL...			
E	1-1823467-5	PBT-GF10 VIOLET CPA... RADIAL SEAL...			
D	1-1823467-4	PBT-GF10 VIOLET CPA... RADIAL SEAL...			
C	1-1823467-3	PBT-GF10 VIOLET CPA... RADIAL SEAL...			
B	1-1823467-2	PBT-GF10 VIOLET CPA... RADIAL SEAL...			
A	1-1823467-1	PBT-GF10 VIOLET CPA... RADIAL SEAL...			



REV.	DATE	DESCRIPTION	BY	CHK	APP
H	0-1823467-8	PBT-GF10 VIOLET CPA... RADIAL SEAL...			
H	9-1823467-8	PBT-GF10 VIOLET CPA... RADIAL SEAL...			
H	1823467-8	PBT-GF10 VIOLET CPA... RADIAL SEAL...			
G	1823467-7	PBT-GF10 VIOLET CPA... RADIAL SEAL...			
F	1823467-6	PBT-GF10 VIOLET CPA... RADIAL SEAL...			
E	1823467-5	PBT-GF10 VIOLET CPA... RADIAL SEAL...			
D	1823467-4	PBT-GF10 VIOLET CPA... RADIAL SEAL...			
C	1823467-3	PBT-GF10 VIOLET CPA... RADIAL SEAL...			
B	1823467-2	PBT-GF10 VIOLET CPA... RADIAL SEAL...			
A	1823467-1	PBT-GF10 VIOLET CPA... RADIAL SEAL...			



- NOTES
 1 DELIVERY CONDITION, RETAINER IN PER-LOCK POSITION
 Anlieferungsstatus, Kontaktsicherung in Vorraststellung
 2 TERMINALS, SEE TE DRAWING 1241436
 Kontakte, siehe TE Zeichnung 1241436
 3 INTERFACE ACC. TO TE SPECIFICATION No. 114-18375-1
 Schnittstelle nach TE Spezifikation Nr. 114-18375-1
 4 BULK PACKAGED
 Schüttgut verpackt

THIS DRAWING IS A CONTROLLED DOCUMENT.		REV. 10MAY2009	DATE 10MAY2009
DIMENSIONS: DIMS		BY J. Ashour	CHK H. Ripper
MATERIAL: S.TAB.		REV. 19MAY2009	DATE 19MAY2009
FINISH: -		NAME: 6POS. AMP MCP1.5K. REC. HOUSING	PRODUCT SPEC: -
SCALE: 2:1		NAME: 6POLIG. AMP MCP1.5K. BUCHSENGEHAUSE	APPLICATION SPEC: -
CUSTOMER DRAWING		SIZE: A0	RESTRICTION: -
		CASE CODE: 00779	DATE: 10MAY2009
		DRAWING NO: 1823467	REV. 1