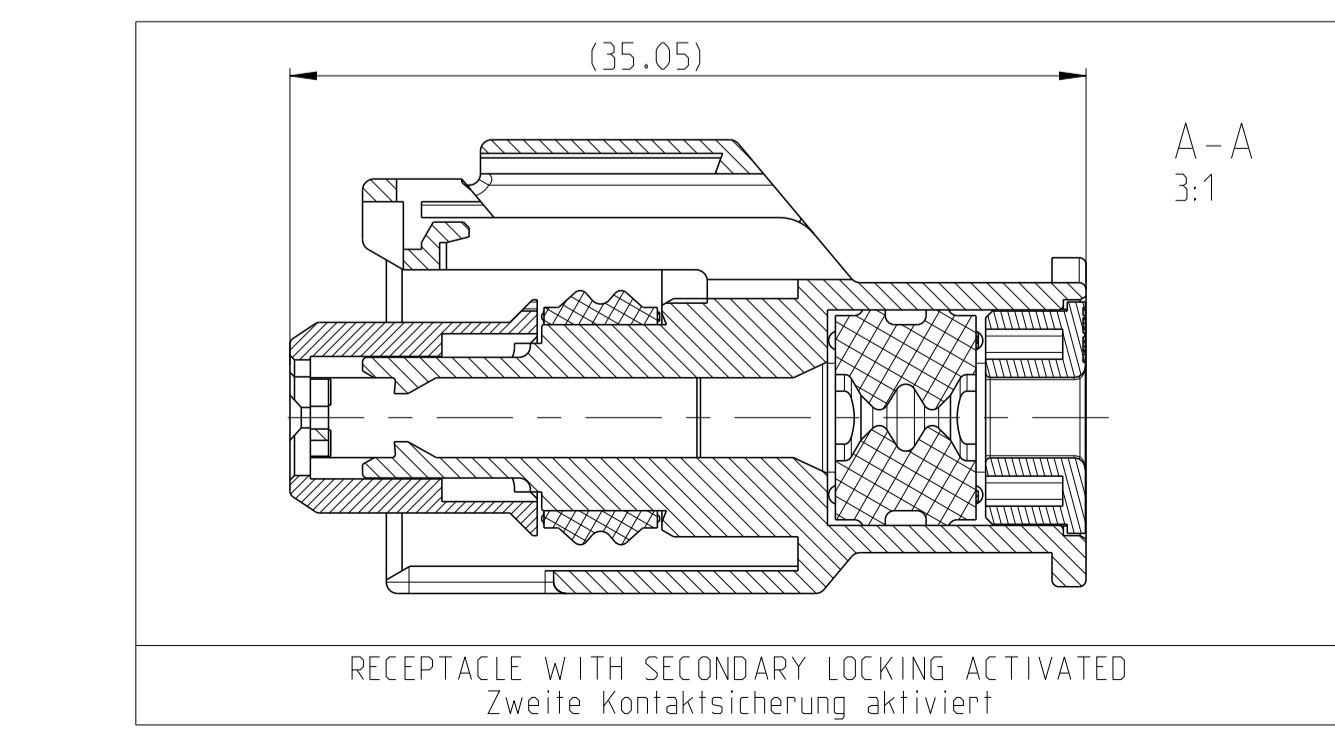
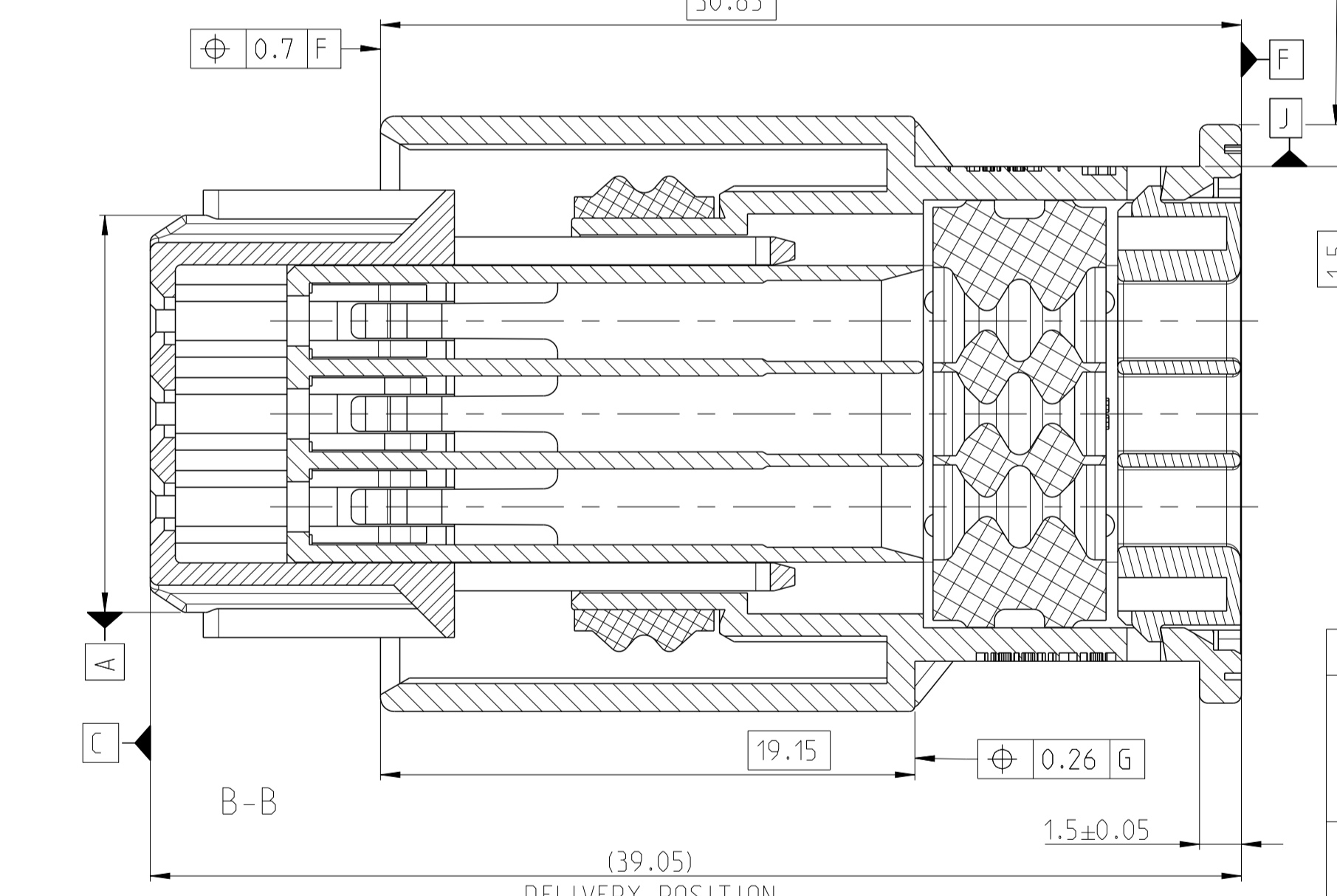
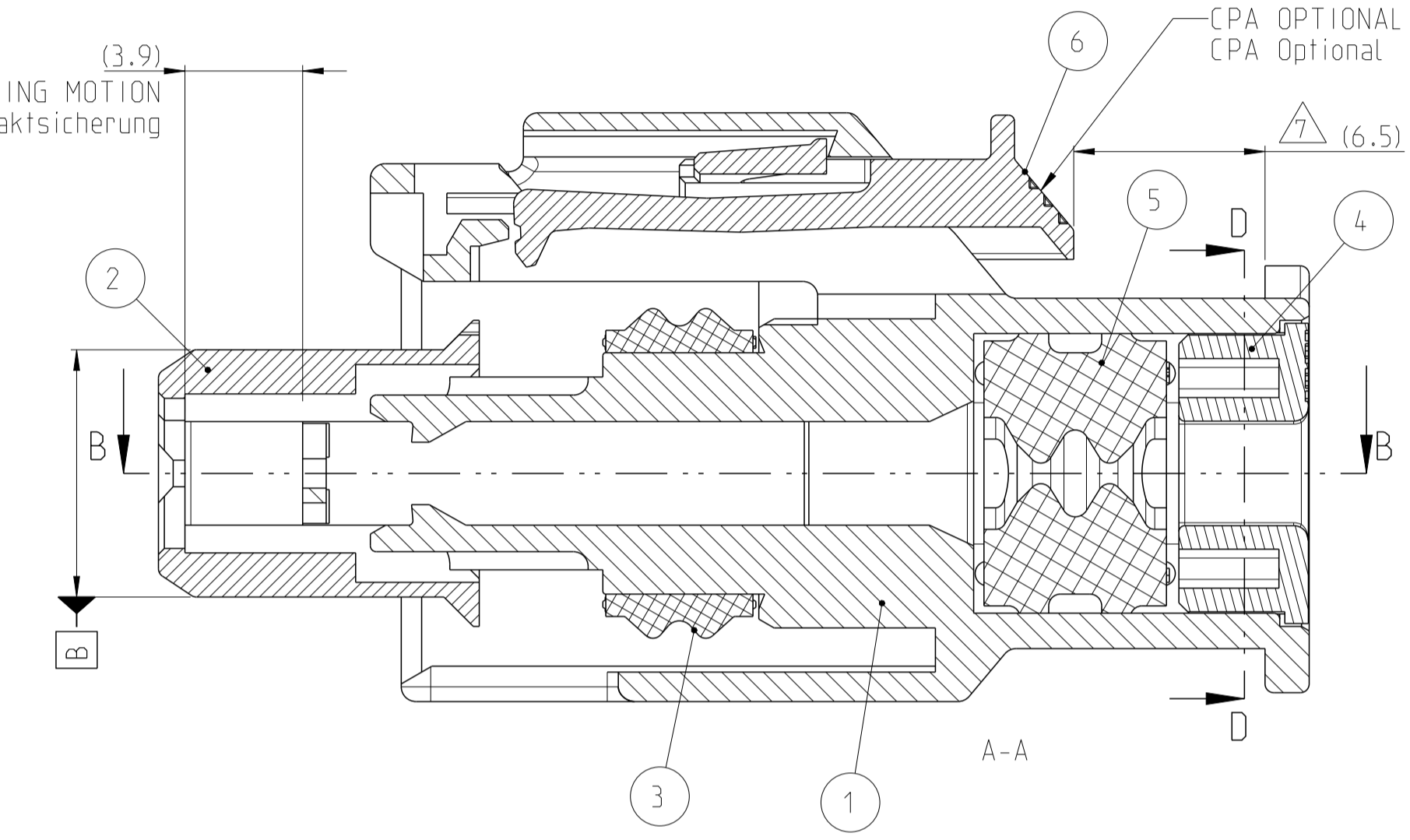
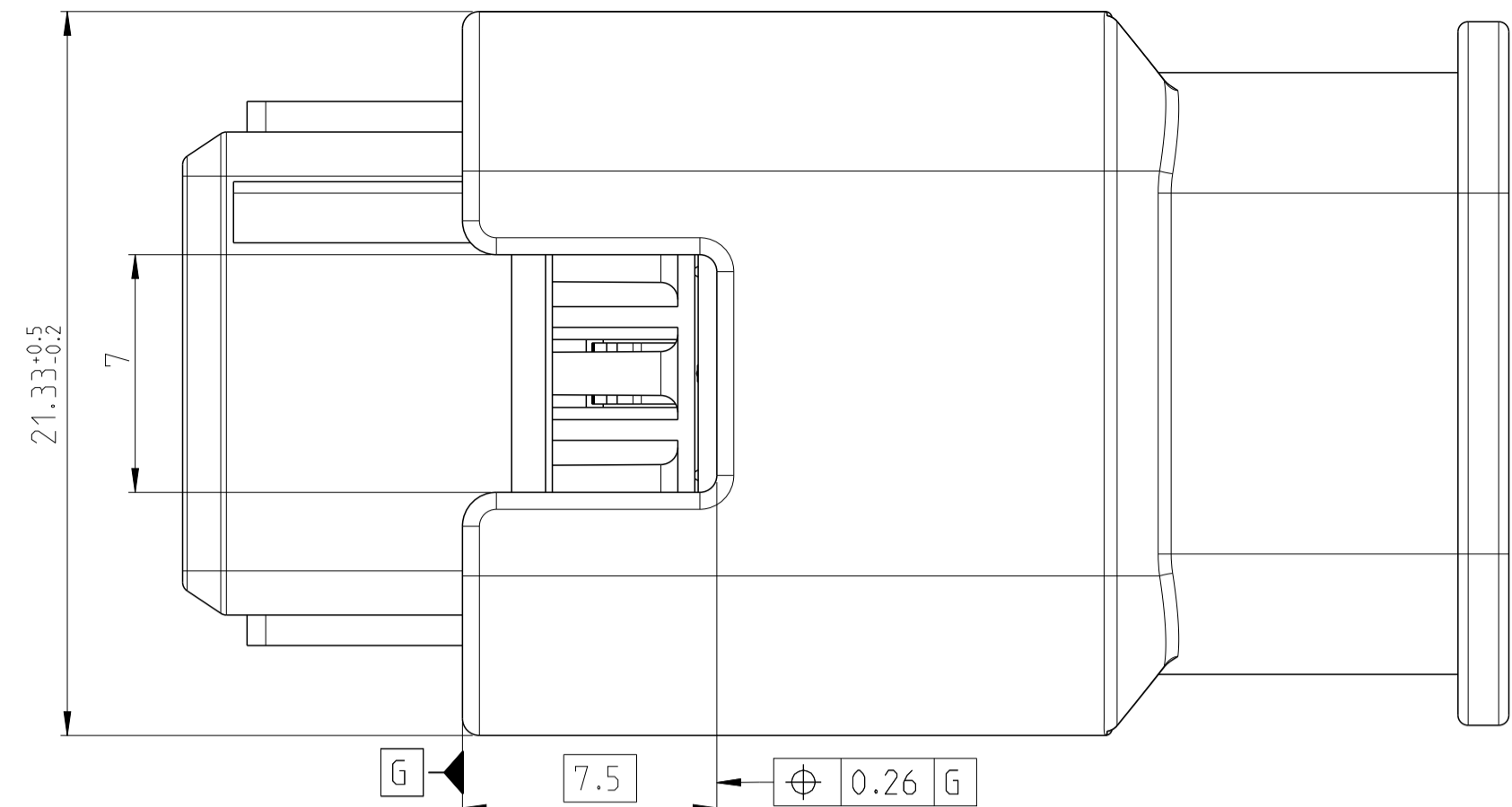
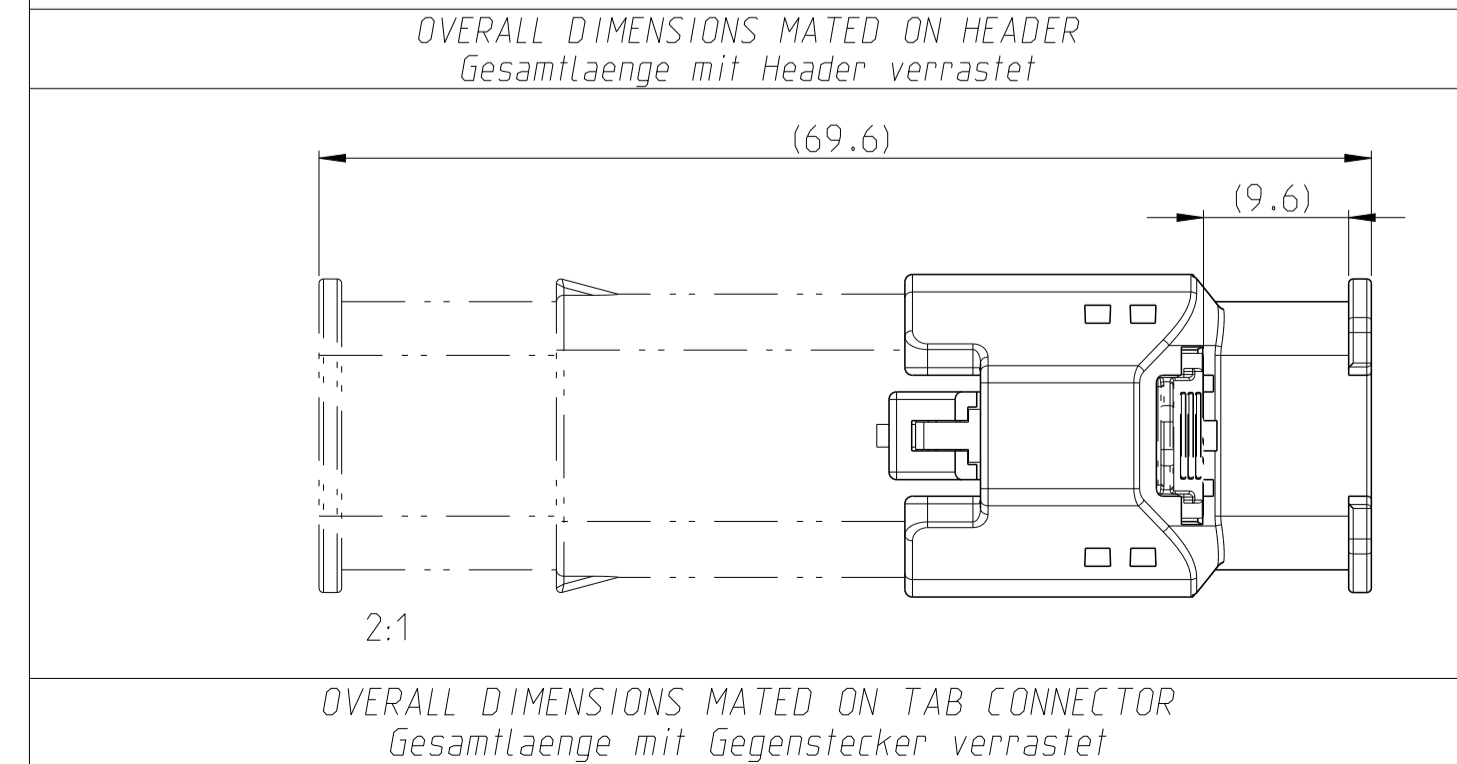
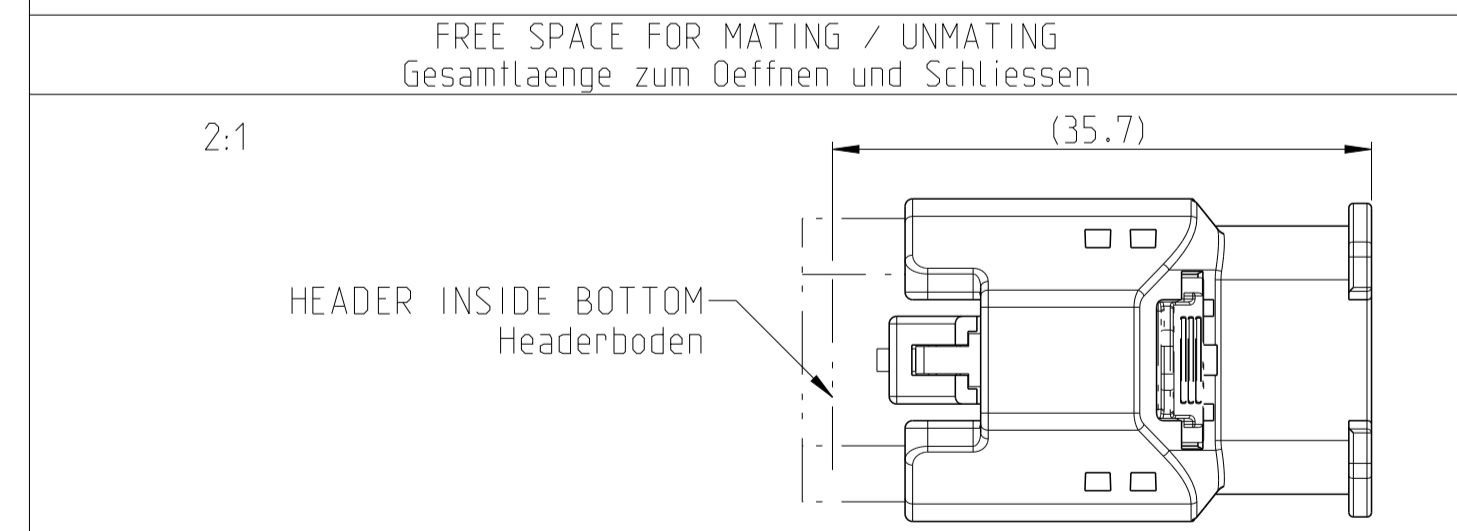
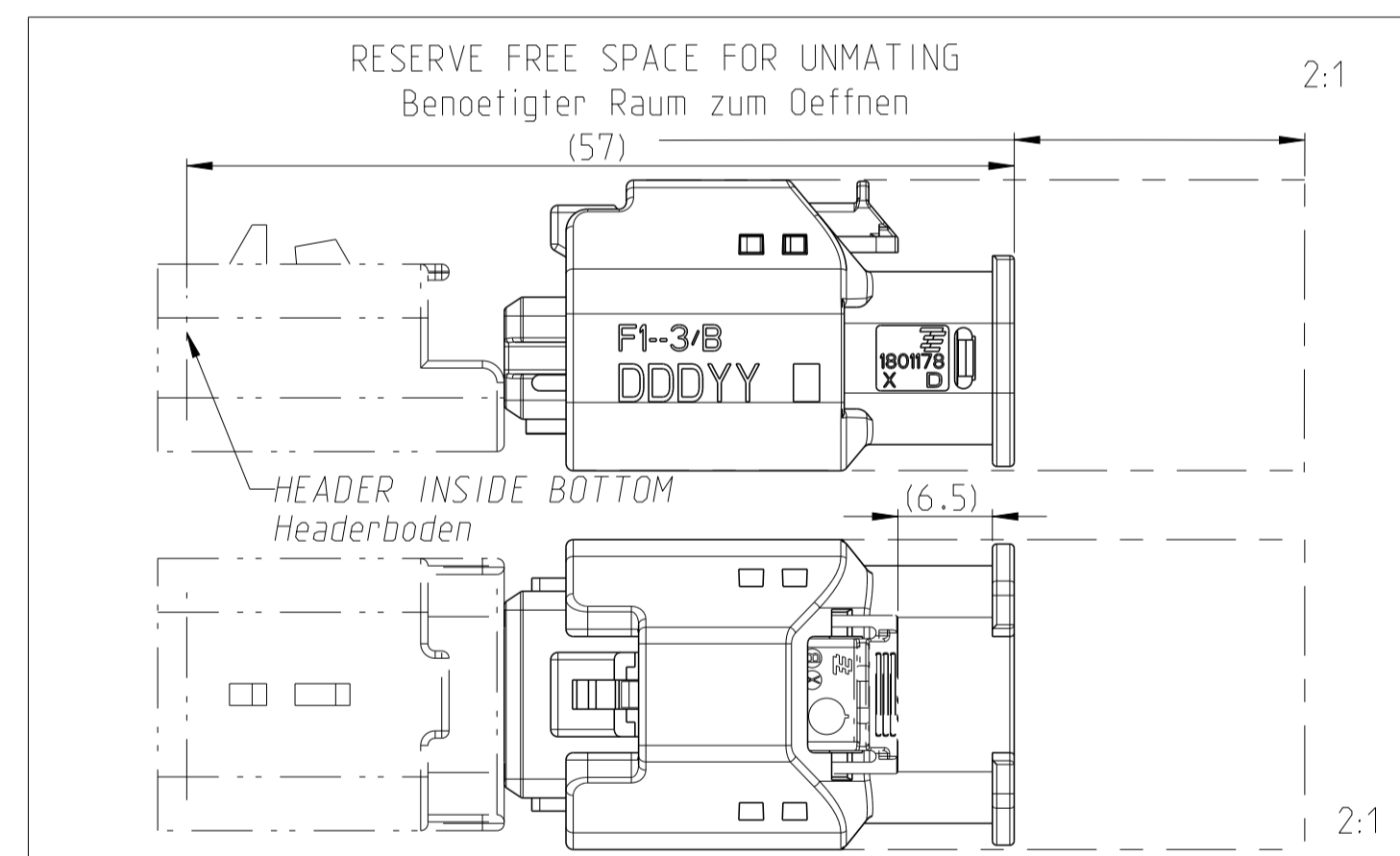
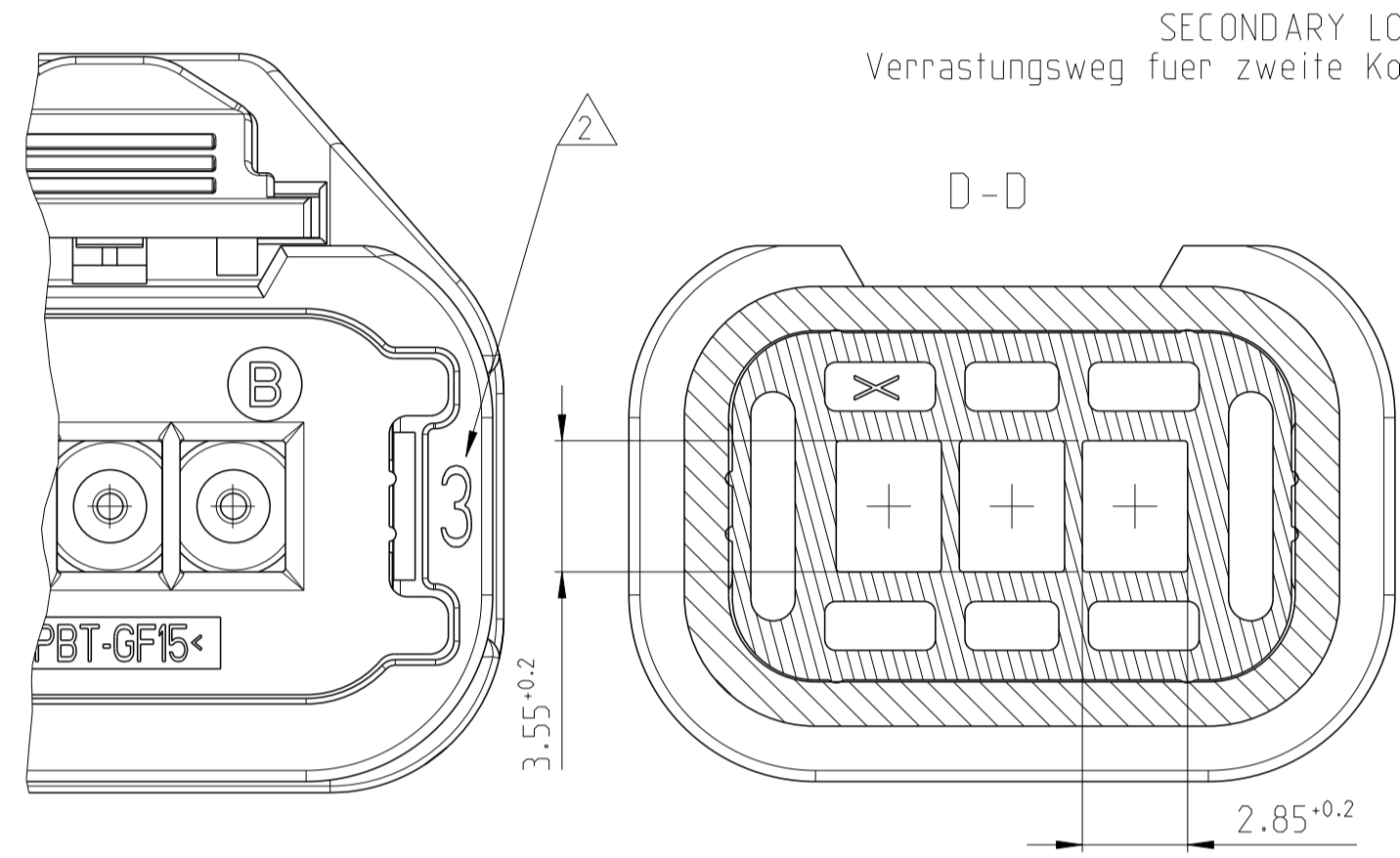


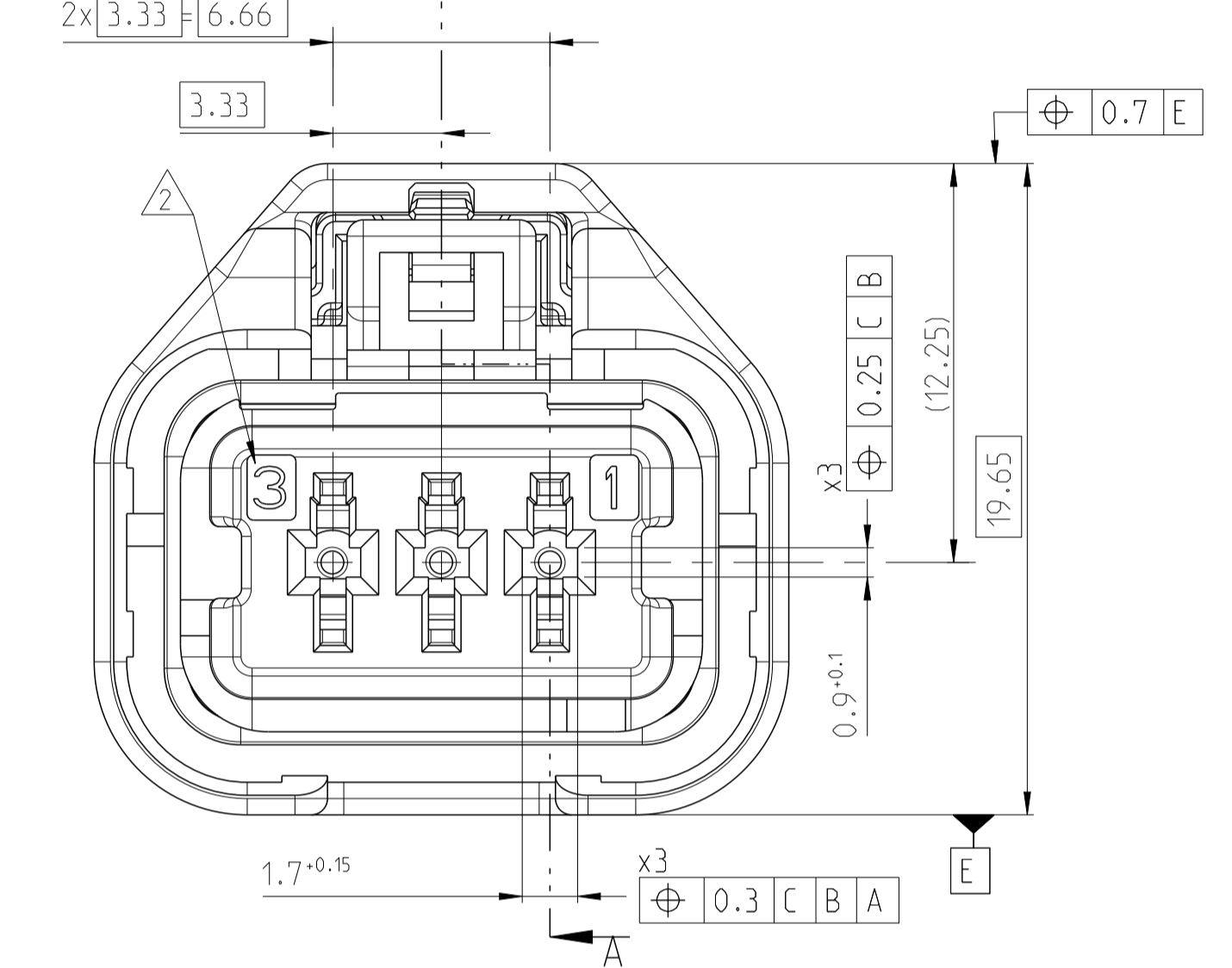
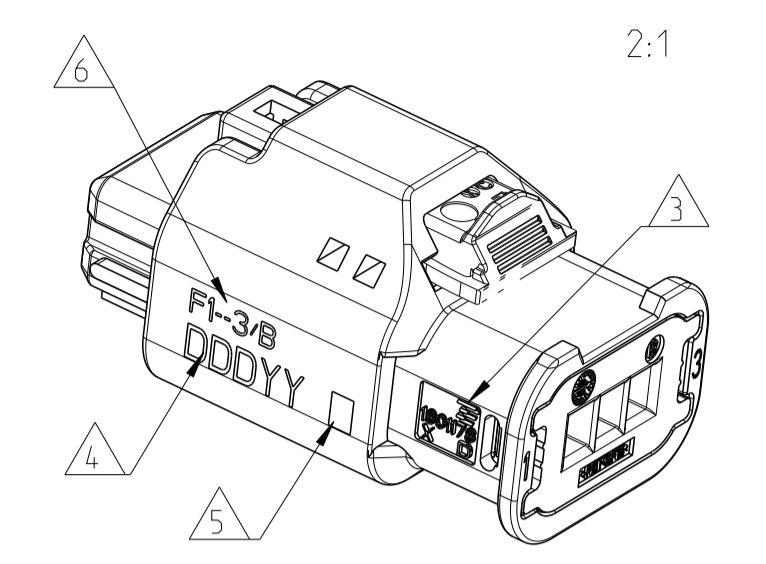
TE PN TE Nr.	COULEUR COLOR	KEYING TOLERANCE: Kodierungstoleranz: ±0.05
1823177-1	BLACK Schwarz	
1823177-2	BLUE blau	
1823177-3	GREY grau	
1823177-4	YELLOW gelb	
1823177-5	GREEN grün	
1823177-6	BROWN braun	
1823177-7	WHITE weiss	
1823177-8	RED rot	
1823177-9	ORANGE orange	

FIXED COVER 3 WAYS - LEFT/RIGHT EXIT Abdeckkappe mit Abgang links/rechts	FOR CORRUGATED TUBE Ø6 Für Wellrohr Ø6	1801467-1
	FOR CORRUGATED TUBE Ø4.5 Für Wellrohr Ø4.5	1-1801467-1
FIXED COVER 3 WAYS - UP/DOWN EXIT Abdeckkappe mit Abgang oben/unten	FOR CORRUGATED TUBE Ø6 Für Wellrohr Ø6	1801467-2
	FOR CORRUGATED TUBE Ø4.5 Für Wellrohr Ø4.5	1-1801467-2
FIXED COVER 3 WAYS - EXIT IN LINE Abdeckkappe mit geradem Abgang	FOR CORRUGATED TUBE Ø6 Für Wellrohr Ø6	1801168-5
	FOR CORRUGATED TUBE Ø4.5 Für Wellrohr Ø4.5	1-1801168-5
ROTATIVE COVER 90 DEG. 3 WAYS Drehbare Abdeckkappe mit 90 Grad Abgang	FOR CORRUGATED TUBE Ø6 Für Wellrohr Ø6	1801468-1
	FOR CORRUGATED TUBE Ø4.5 Für Wellrohr Ø4.5	1-1801468-1
ADAPTER FOR COVER WITH 90 DEG. EXIT Adapter fuer Abdeckkappe mit 90 Grad Abgang		1801359-1
RECEPTACLE 1.5 SENSOR GOLD PLATED Section 1.5mm ² 1.5 mm Sensor Flachkontakt fuer 1.5mm ² , selektiv vergoldet		1670328-1
RECEPTACLE 1.5 SENSOR GOLD PLATED Section 0.5 to 1mm ² 1.5 mm Sensor Flachkontakt fuer 0.5 - 1mm ² , selektiv vergoldet		1670326-1
3 WAYS TAB CONNECTOR HP 3 pol. Stift Gehaeuse HP		1801177-X
DESCRIPTION Beschreibung	TYCO ELECTRONICS PN TYCO ELECTRONICS Nr.	
ASSOCIATED PARTS Zubehoer Teile		



- NOTES
Bemerkungen
- 1-1823177-1 AS SHOWN
1-1823177-1 wie gezeichnet
 - 2 CAVITY MARKING
Kammernummerierung
 - 3 TE LOGO
TE Zeichen
 - 4 ASSEMBLY DATE: "DDDDY"
Zusammenbau Datum: "DDDDY"
 - 5 PLANT CODE:
Herstellungs Land:
E = EUROPE
C = CHINA
M = MERCOSUR
 - 6 ASSY PN. AND REVISION
FOR EXAMPLE: F1-3/B
F = FORD VERSION; 1 = PREFIX FOR TE PART NUMBER;
-3 = SUFFIX FOR TE PART NUMBER; B = REVISION
Zusammenbau Nr. und Revision
Zum Beispiel: F1-3/B
F = Ford Version; 1 = Vorstrichzahl fuer TE Teilenummer;
-3 = Nachstrichzahl fuer TE Teilenummer; B = Revision
 - 7 DELIVERY CONDITION: CPA IN PRE-LOCK POSITION
Auslieferungszustand: CPA in Vorraststellung

REVISIONS					
P	LTN	DESCRIPTION	DATE	OWN	APVD
B3		SEE PCN E-16-010874	28JUL2016	KC	PT
B4		SEE PCN E-16-011815	17AUG2016	KC	MK
B5		SEE PCN E-17-006749	17MAY2017	M.K.	K.R.
B6		SEE PCN E-17-012074	18AUG2017	MK	KR



ACCEPTABLE CABLE SECTIONS PER CONTACT
The cross-section of the cables used must be between 0.5 and 1.5mm²
(Øwire min= 1.40mm; Øwire Max= 2.40mm)
Kabelquerschnitt liegt zwischen 0,5 und 1,5mm²
(Ø Min= 1,40mm; Ø Max= 2,40mm)

REV	ASSY PN	QTY	MATERIAL	DESCRIPTION	COLOUR	ITEM
1	1823177-9	1	PBT-GF15	CPA	ORANGE	6
1	1823177-8	1	MVQ	FAMILY SEAL	LIGHT BLUE	5
1	1823177-7	1	PBT-GF15	COVER FOR FAMILY SEAL	BLACK	4
1	1823177-6	1	MVQ	RADIAL SEAL	LIGHT BLUE	3
1	1823177-5	1	PBT-GF15	SEC. LOCKING DEVICE COD.9	ORANGE	2
1	1823177-4	1	PBT-GF15	SEC. LOCKING DEVICE COD.8	RED	2
1	1823177-3	1	PBT-GF15	SEC. LOCKING DEVICE COD.7	WHITE	2
1	1823177-2	1	PBT-GF15	SEC. LOCKING DEVICE COD.6	BROWN	2
1	1823177-1	1	PBT-GF15	SEC. LOCKING DEVICE COD.5	GREEN	2
1	1823177-0	1	PBT-GF15	SEC. LOCKING DEVICE COD.4	YELLOW	2
1	1823177-9	1	PBT-GF15	SEC. LOCKING DEVICE COD.3	GREY	2
1	1823177-8	1	PBT-GF15	SEC. LOCKING DEVICE COD.2	BLUE	2
1	1823177-7	1	PBT-GF15	SEC. LOCKING DEVICE COD.1	BLACK	2
1	1823177-6	1	PBT-GF15	RECEPTACLE HOUSING	BLACK	1

THIS DRAWING IS A CONTROLLED DOCUMENT. DIMENSIONS: mm. TOLERANCES UNLESS OTHERWISE SPECIFIED: 0 PLC ±0.3, 1 PLC ±0.3, 2 PLC ±0.3, 3 PLC ±0.3, 4 PLC ±0.3, ANGLES ±0.3.

OWN: M.Kressmann, 20FEB2009. CHK: K.Roth, 20FEB2009. APVD: E.Mueller, 20FEB2009.

NAME: 3 WAY RECEPTACLE HP CONNECTOR ASSEMBLY. SIZE: A1. CAGE CODE: 116-94155. DRAWING NO: 1823177. SHEET: 1 OF 1. REV: B6.

TE Connectivity logo and other technical details.