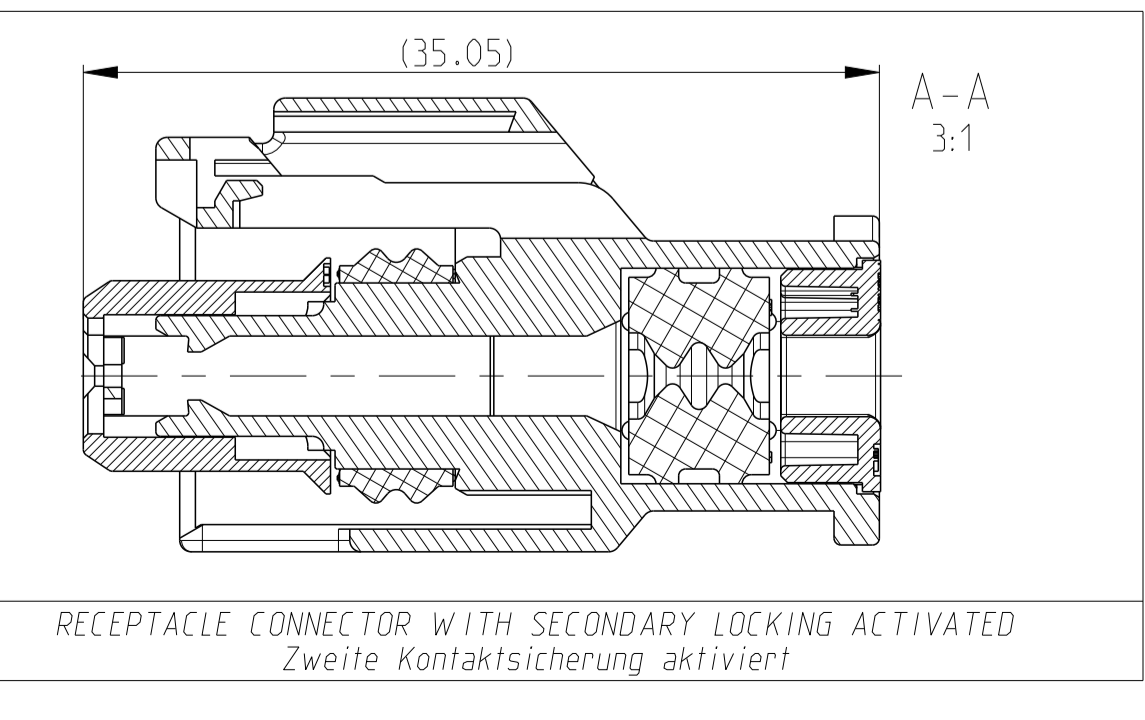
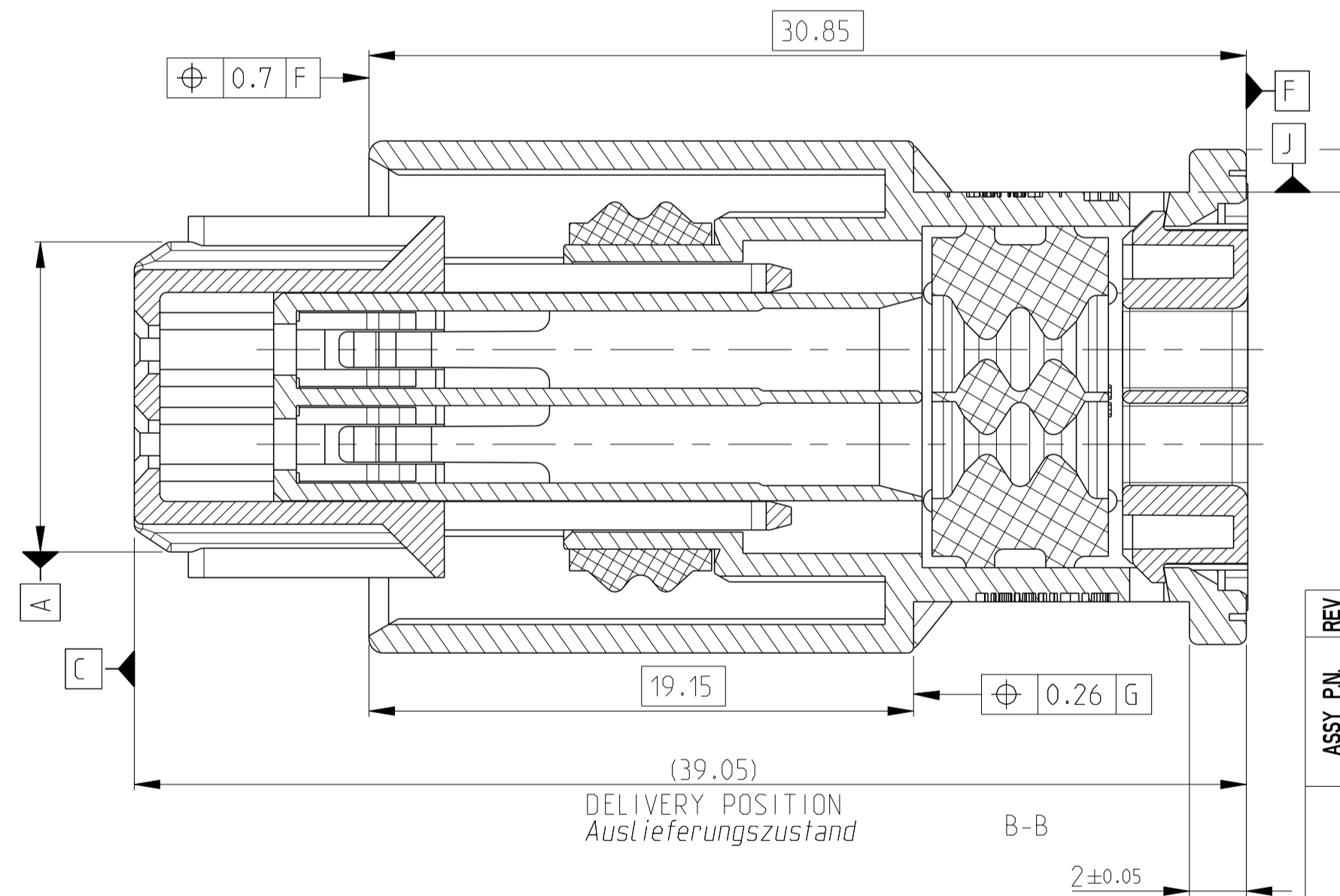
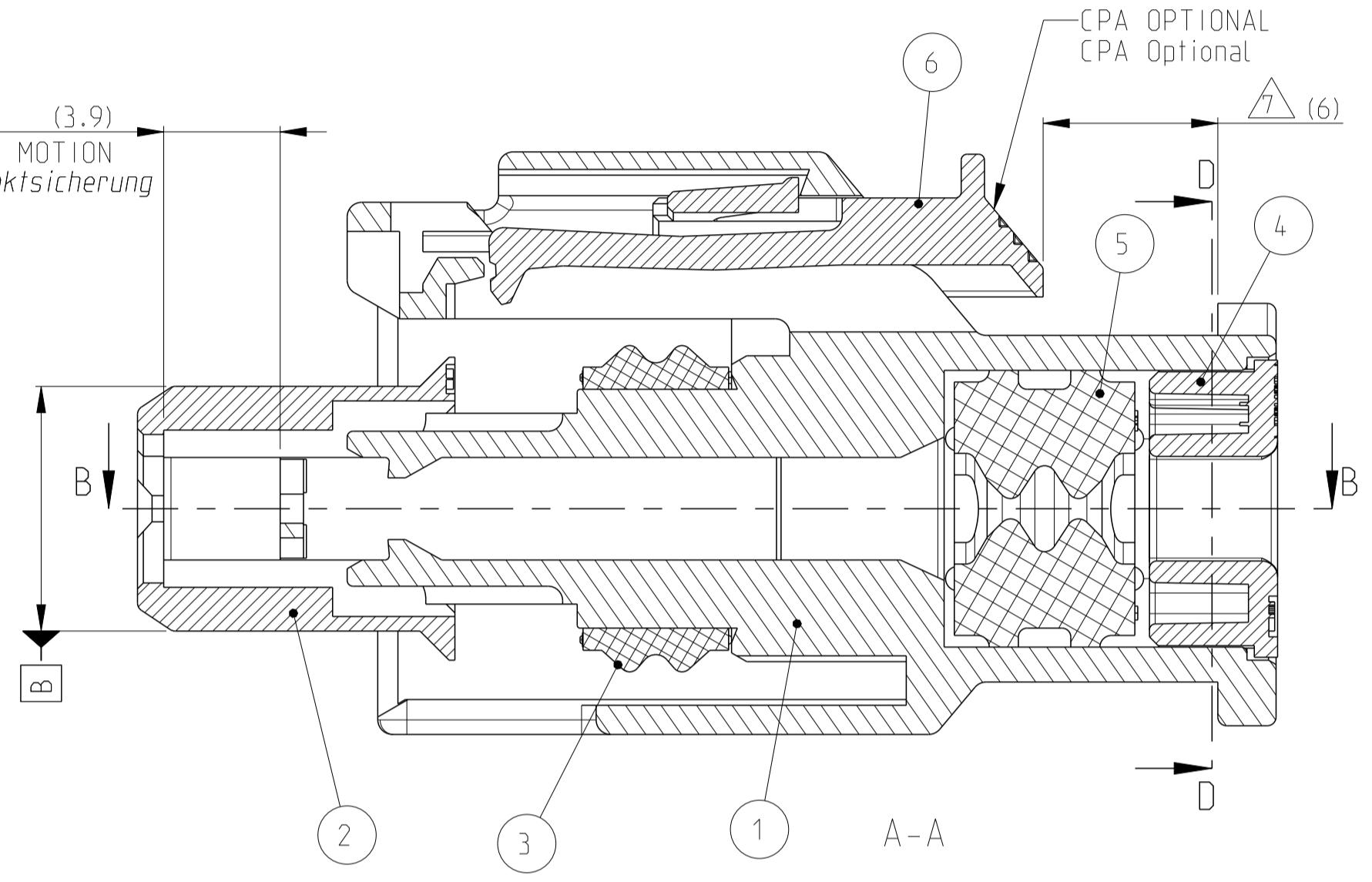
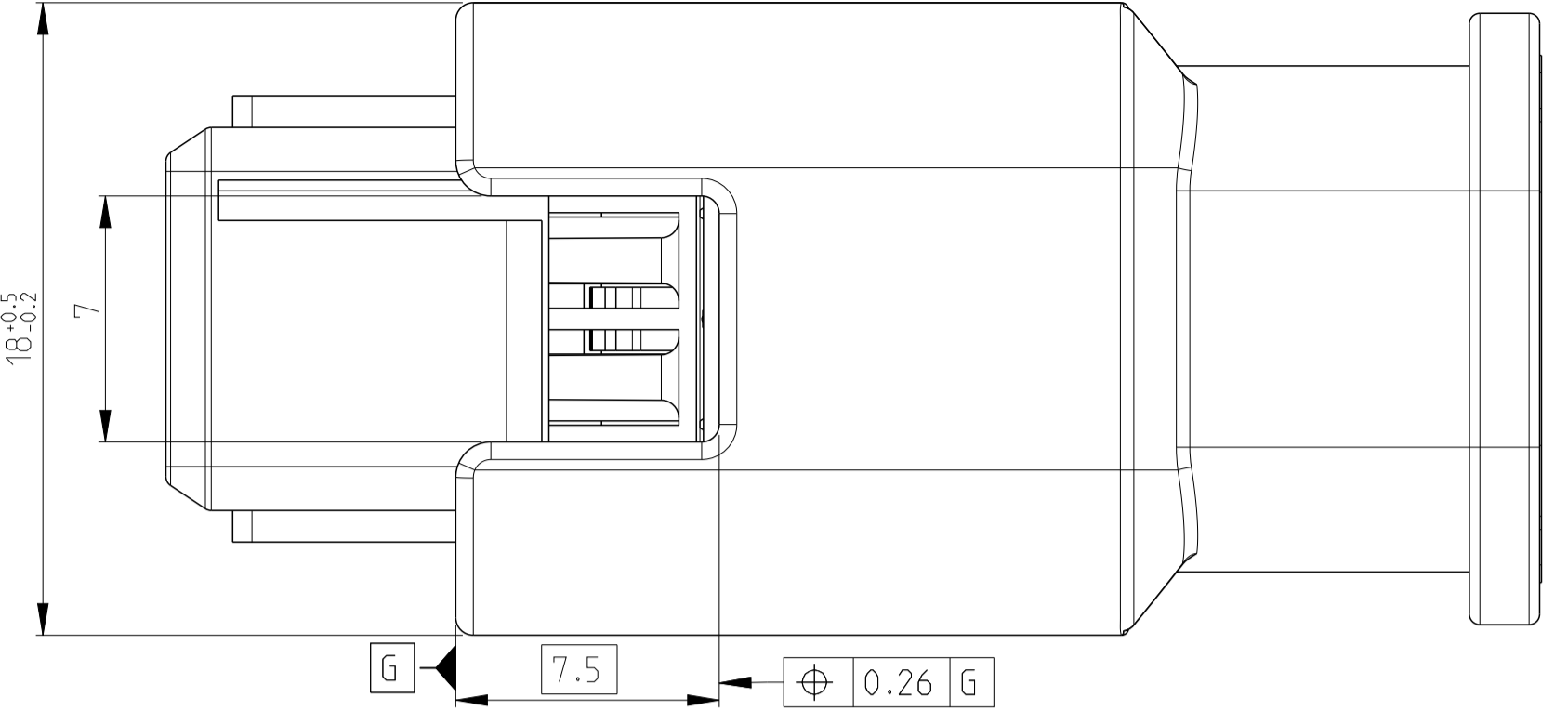
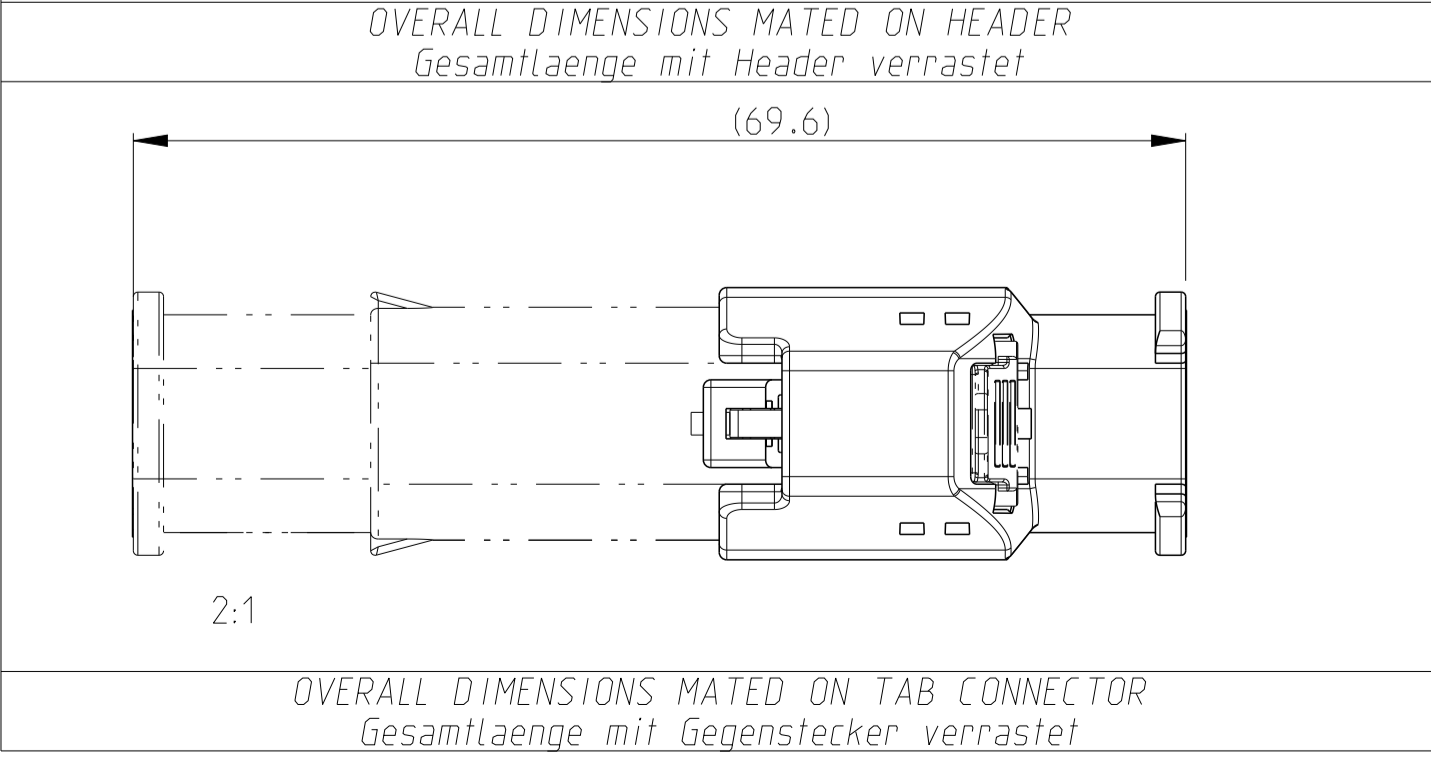
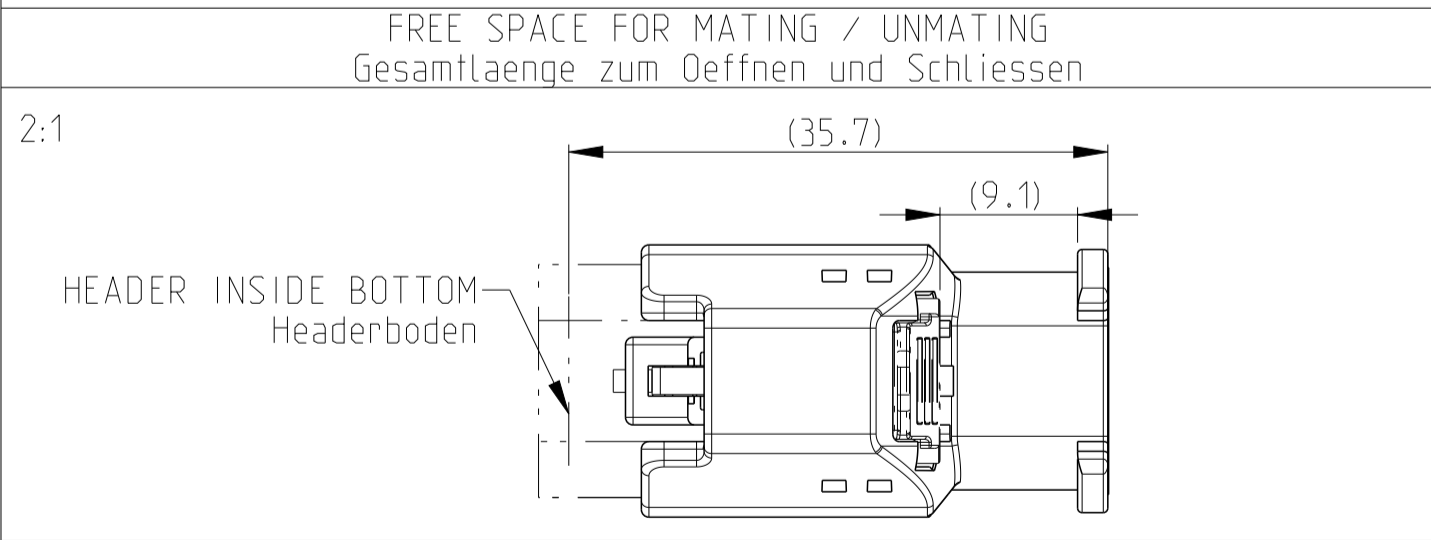
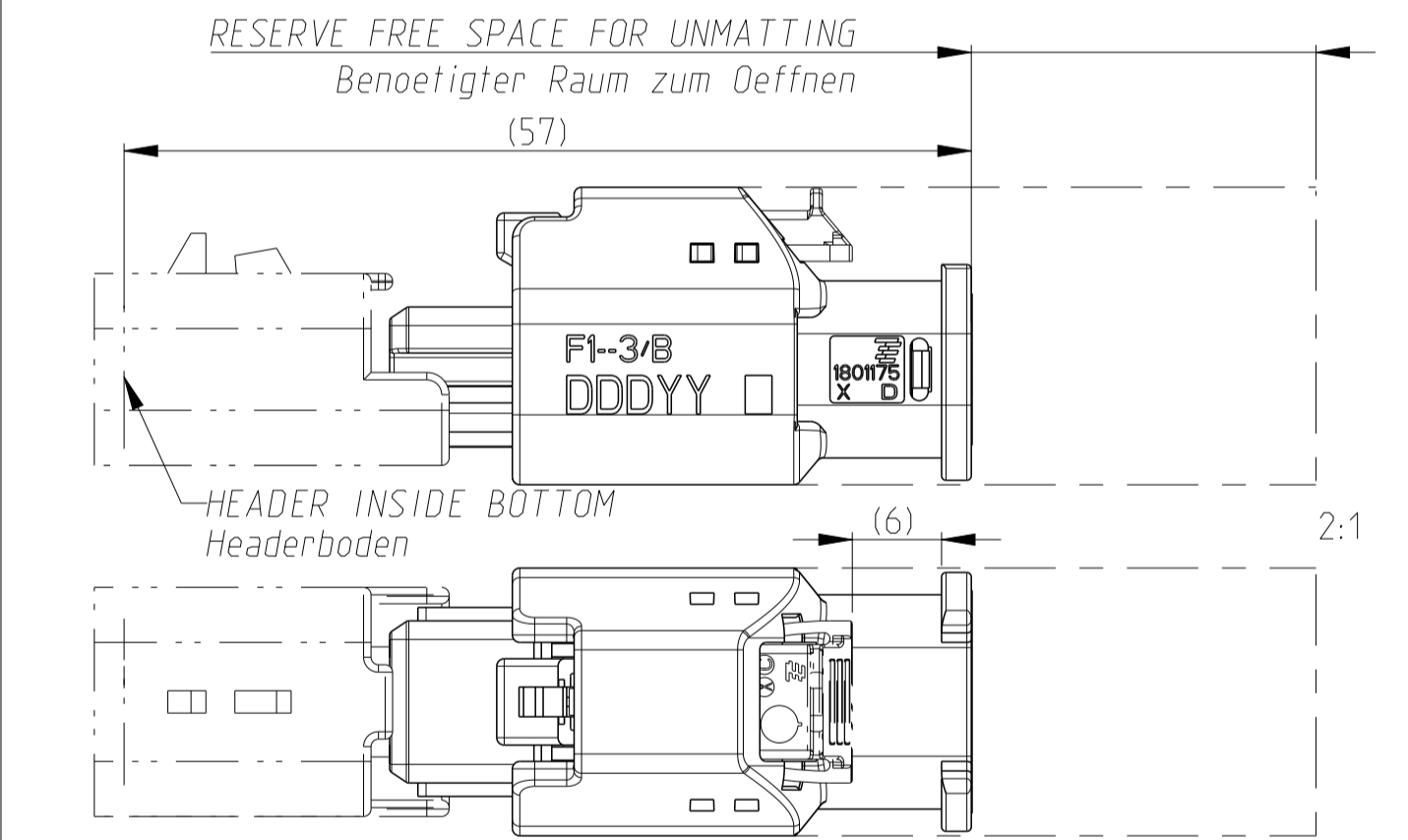
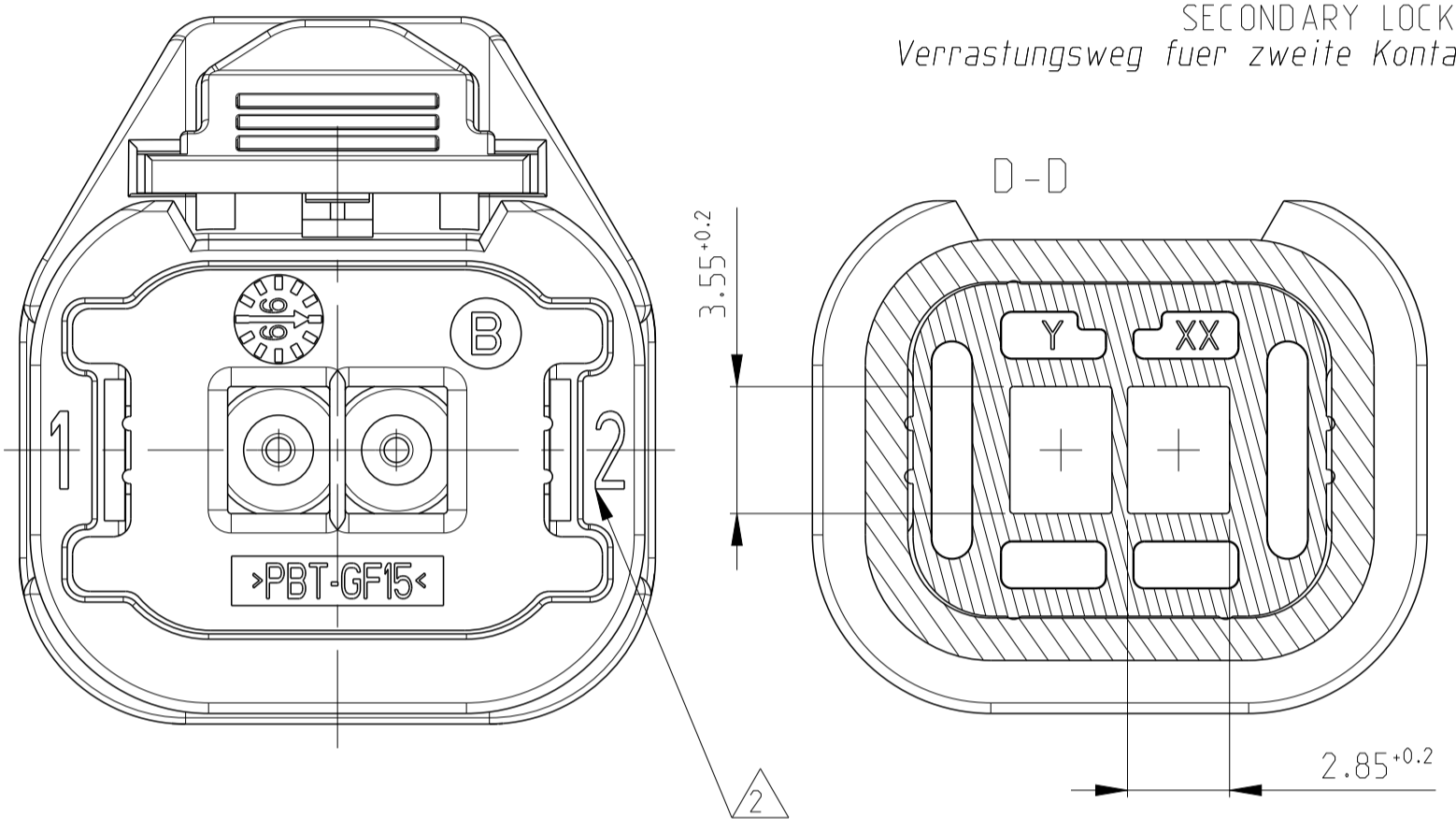


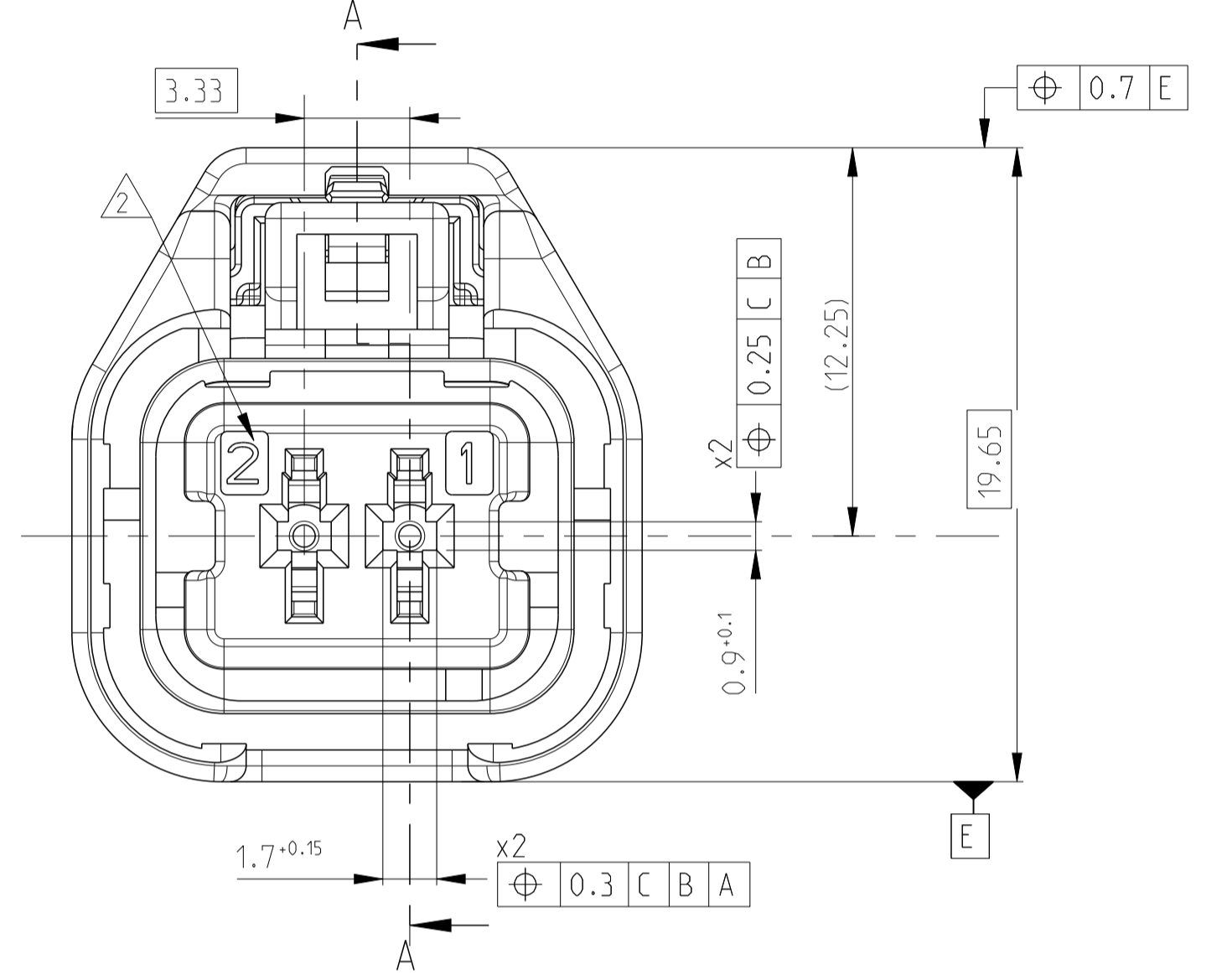
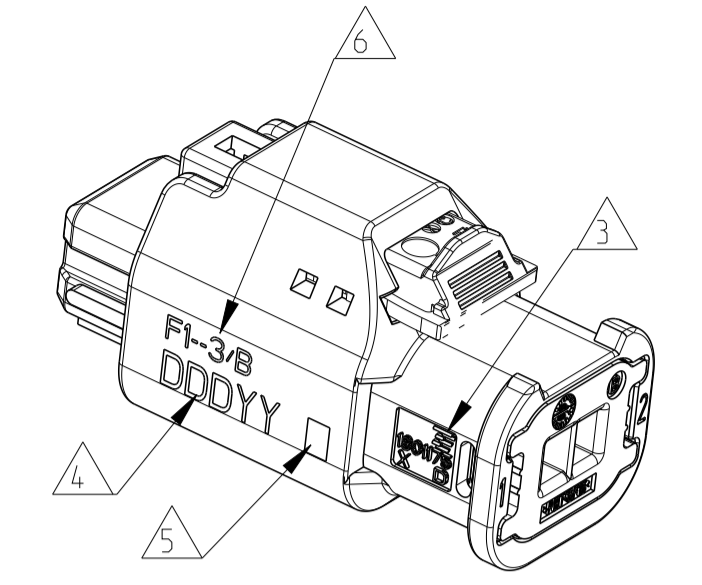
TE PN TE Nr.	COLOUR Farbe	KEYING TOLERANCE: Kodierungstoleranz: ±0.05
1823174-1	BLACK schwarz	
1823174-2	BLUE blau	
1823174-3	GREY grau	
1823174-4	YELLOW gelb	
1823174-5	GREEN gruen	
1823174-6	BROWN braun	
1823174-7	WHITE weiss	
1823174-8	RED rot	
1823174-9	ORANGE orange	

DESCRIPTION Beschreibung	TYCO ELECTRONICS PN TYCO ELECTRONICS Nr.
FIXED COVER 2 WAYS - LEFT/RIGHT EXIT Abdeckkappe mit Abgang links/rechts	FOR CORRUGATED TUBE Ø6 Fuer Wellrohr Ø6 1801466-1
FIXED COVER 2 WAYS - UP/DOWN EXIT Abdeckkappe mit Abgang oben/unten	FOR CORRUGATED TUBE Ø4.5 Fuer Wellrohr Ø4.5 1801466-2
FIXED COVER 2 WAYS - EXIT IN LINE Abdeckkappe mit geradem Abgang	FOR CORRUGATED TUBE Ø6 Fuer Wellrohr Ø6 1801155-5
ROTATIVE COVER 90 DEG. 2 WAYS Drehbare Abdeckkappe mit 90 Grad Abgang	FOR CORRUGATED TUBE Ø6 Fuer Wellrohr Ø6 1801356-1
RECEPTACLE 1.5 SENSOR GOLD PLATED Section 1.5mm <sup>2</sup> 1.5 mm Sensor Flachkontakt fuer 1.5mm <sup>2</sup> , selektiv vergoldet	1801174-X
RECEPTACLE 1.5 SENSOR GOLD PLATED Section 0.5 to 1mm <sup>2</sup> 1.5 mm Sensor Flachkontakt fuer 0.5 - 1mm <sup>2</sup> , selektiv vergoldet	1670326-1
2 WAYS TAB CONNECTOR HP 2 pol. Stift Gehaeuse HP	1801174-X



- NOTES**  
Bemerkungen
- 0-1823174-1 AS SHOWN  
0-1823174-1 wie gezeichnet
  - CAVITY MARKING  
Kammernummerierung
  - TE LOGO  
TE Zeichen
  - ASSEMBLY DATE: "DDYY"  
Zusammenbau Datum: "DDYY"
  - PLANT CODE:  
Herstellungs Land:  
E = EUROPE  
C = CHINA  
M = MERCOSUR
  - ASSY. PN. AND REVISION  
FOR EXAMPLE: F1-3/B  
F = FORD VERSION: 1 = PREFIX FOR TE PART NUMBER;  
3 = SUFFIX FOR TE PART NUMBER; B = REVISION  
Zusammenbau Nr. und Revision  
Zum Beispiel: F1-3/B  
F = Ford Version: 1 = Vorstrichzahl fuer TE Teilenummer;  
3 = Nachstrichzahl fuer TE Teilenummer; B = Revision
  - DELIVERY CONDITION: CPA IN PRE-LOCK POSITION  
Auslieferungszustand: CPA in Vorraststellung

REVISIONS				
P	LTA	DESCRIPTION	DATE	OWN APVD
B2		SEE PCN E-15-015142	12OCT2015	M.K. K.R.
B3		SEE PCN E-16-010812	27JUL2016	SH PT
B4		SEE PCN E-17-006749	17MAY2017	M.K. K.R.
B5		SEE PCN E-17-012074	18AUG2017	M.K. K.R.



**ACCEPTABLE CABLE SECTIONS PER CONTACT**  
The cross-section of the cables used must be between 0.5 and 1.5mm<sup>2</sup>  
(Ø wire min= 1.40mm; Ø wire Max= 2.40mm)  
Kabelquerschnitt liegt zwischen 0.5 und 1.5mm<sup>2</sup>  
(Ø Min= 1.40mm; Ø Max= 2.40mm)

ASSY PN	REV	QTY	MATERIAL	DESCRIPTION	COLOUR	ITEM
1-1823174-9		1	PBT-GF15	CPA	ORANGE	6
1-1823174-8		1	MVG	FAMILY SEAL	LIGHT BLUE	5
1-1823174-7		1	PBT-GF15	COVER FOR FAMILY SEAL	BLACK	4
1-1823174-6		1	MVG	RADIAL SEAL	LIGHT BLUE	3
1-1823174-5		1	PBT-GF15	SEC. LOCKING DEVICE COD.9	ORANGE	2
1-1823174-4		1	PBT-GF15	SEC. LOCKING DEVICE COD.8	RED	2
1-1823174-3		1	PBT-GF15	SEC. LOCKING DEVICE COD.7	WHITE	2
1-1823174-2		1	PBT-GF15	SEC. LOCKING DEVICE COD.6	BROWN	2
1-1823174-1		1	PBT-GF15	SEC. LOCKING DEVICE COD.5	GREEN	2
0-1823174-9		1	PBT-GF15	SEC. LOCKING DEVICE COD.4	YELLOW	2
0-1823174-8		1	PBT-GF15	SEC. LOCKING DEVICE COD.3	GREY	2
0-1823174-7		1	PBT-GF15	SEC. LOCKING DEVICE COD.2	BLUE	2
0-1823174-6		1	PBT-GF15	SEC. LOCKING DEVICE COD.1	BLACK	2
0-1823174-5		1	PBT-GF15	RECEPTACLE HOUSING	BLACK	1

THIS DRAWING IS A CONTROLLED DOCUMENT. DIMENSIONS: mm. TOLERANCES UNLESS OTHERWISE SPECIFIED: 0 PLC ±0.3, 1 PLC ±0.3, 2 PLC ±0.3, 3 PLC ±0.3, 4 PLC ±0.3, ANGLES ±0.2°. MATERIAL: -. FINISH: -. WEIGHT: -. Customer Drawing.

OWN: M. Kressmann, 10FEB2009. CHK: K. Roth, 12FEB2009. APVD: E. Mumber, 13FEB2009. APPLICATION SPEC: 116-94155. WEIGHT: -. Customer Drawing.

**STE** TE Connectivity  
NAME: 2 WAY RECEPTACLE HP CONNECTOR ASSEMBLY  
SIZE: A1. CAGE CODE: 00779. DRAWING NO: 1823174. SHEET: 1 OF 1. REV: B5.