

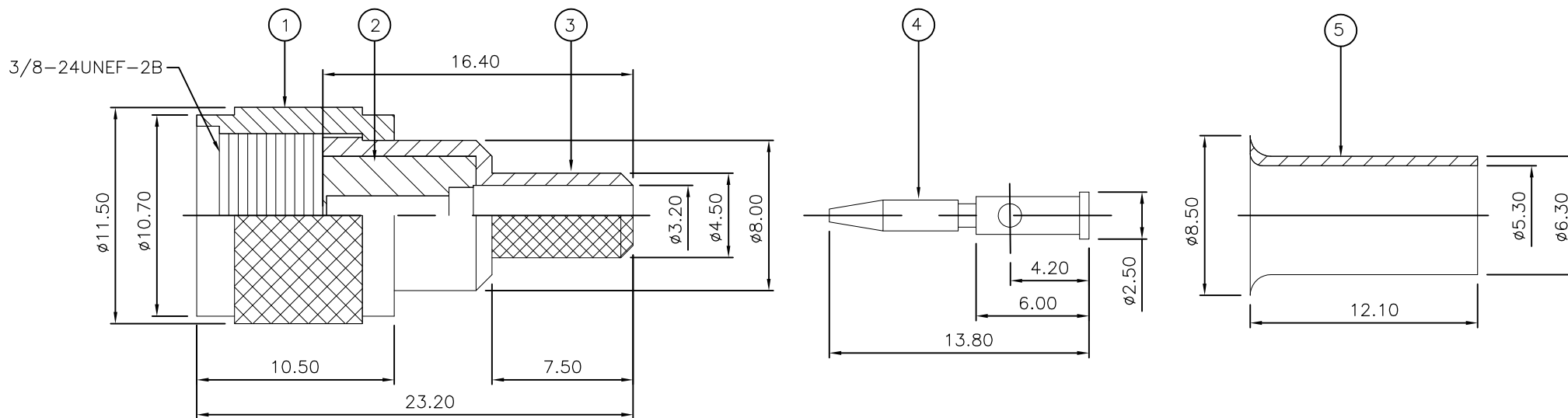
THIS DRAWING IS UNPUBLISHED. RELEASED FOR PUBLICATION AUGUST ,2006.

© COPYRIGHT 2006 By - ALL RIGHTS RESERVED.

LOC	DIST	REVISIONS			
P	LTR	DESCRIPTION	DATE	DWN	APVD
E	B				
	B	REVISED PER ECO-09-003420	18JAN09	ANS	BOB
	C	REVISED PER ECO ECO-11-021584	01NOV11	TITAN	MARTIN
	D	REVISED PER ECR ECR-17-008669	15JUN2017	AS	RS

NOTES:

- 1 PACK IN ACCORDANCE WITH AMP SPEC 107-3275
- 2 100 TRAY PACK IN ACCORDANCE WITH AMP SPEC 107-3275
- 3 Au PLATING
- 4 Ni PLATING
- 5 HAND TOOL : 9-1478240-0
- 6 DIE SET : 9-1478242-0
- 7 FOR TECHNICAL DATA REFER TO YOUR LOCAL TYCO ELECTRONICS SALES OFFICE
- 8 ALL DIMENSIONS ARE NOMINAL FOR REFERENCE ONLY UNLESS OTHERWISE STATED



QTY	Obsole	Obsole	MATERIAL	DESCRIPTION	ITEM
1	1	1	BRASS	FERRULE	5
1	1	1	BRASS	CONTACT	4
1	1	1	ZINC	BODY	3
1	1	1	DELFIN	INSULATION	2
1	1	1	ZINC	COUPLING NUT	1
5--1	5--0		MATERIAL	DESCRIPTION	ITEM

THIS DRAWING IS A CONTROLLED DOCUMENT.		DWN	ANSON MA	14FEB09	STE TE Connectivity													
DIMENSIONS: mm		CHK	RITA ZUO	14FEB09														
TOLERANCES UNLESS OTHERWISE SPECIFIED:		APVD	BOB ZHAO	14FEB09														
<table border="0"> <tr><td>0 PLC</td><td>± 0.5</td></tr> <tr><td>1 PLC</td><td>± 0.3</td></tr> <tr><td>2 PLC</td><td>± 0.2</td></tr> <tr><td>3 PLC</td><td>± -</td></tr> <tr><td>4 PLC</td><td>± -</td></tr> <tr><td>ANGLES</td><td>± 3'</td></tr> </table>		0 PLC	± 0.5	1 PLC		± 0.3	2 PLC	± 0.2	3 PLC	± -	4 PLC	± -	ANGLES	± 3'	PRODUCT SPEC	108-112000		NAME
0 PLC	± 0.5																	
1 PLC	± 0.3																	
2 PLC	± 0.2																	
3 PLC	± -																	
4 PLC	± -																	
ANGLES	± 3'																	
MATERIAL SEE TABLE		FINISH	-		APPLICATION SPEC	-												
		WEIGHT	0		SIZE	A3												
		CUSTOMER DRAWING		SCALE	NTS	SHEET 1 OF 1												
				RESTRICTED TO	-													
				REV	D													