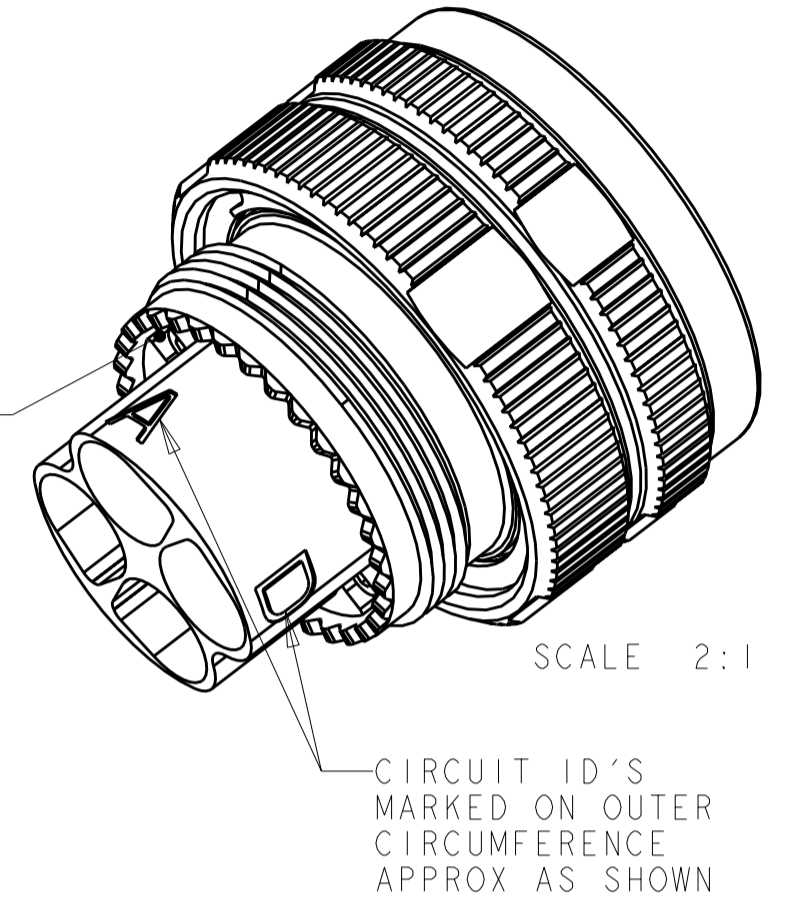
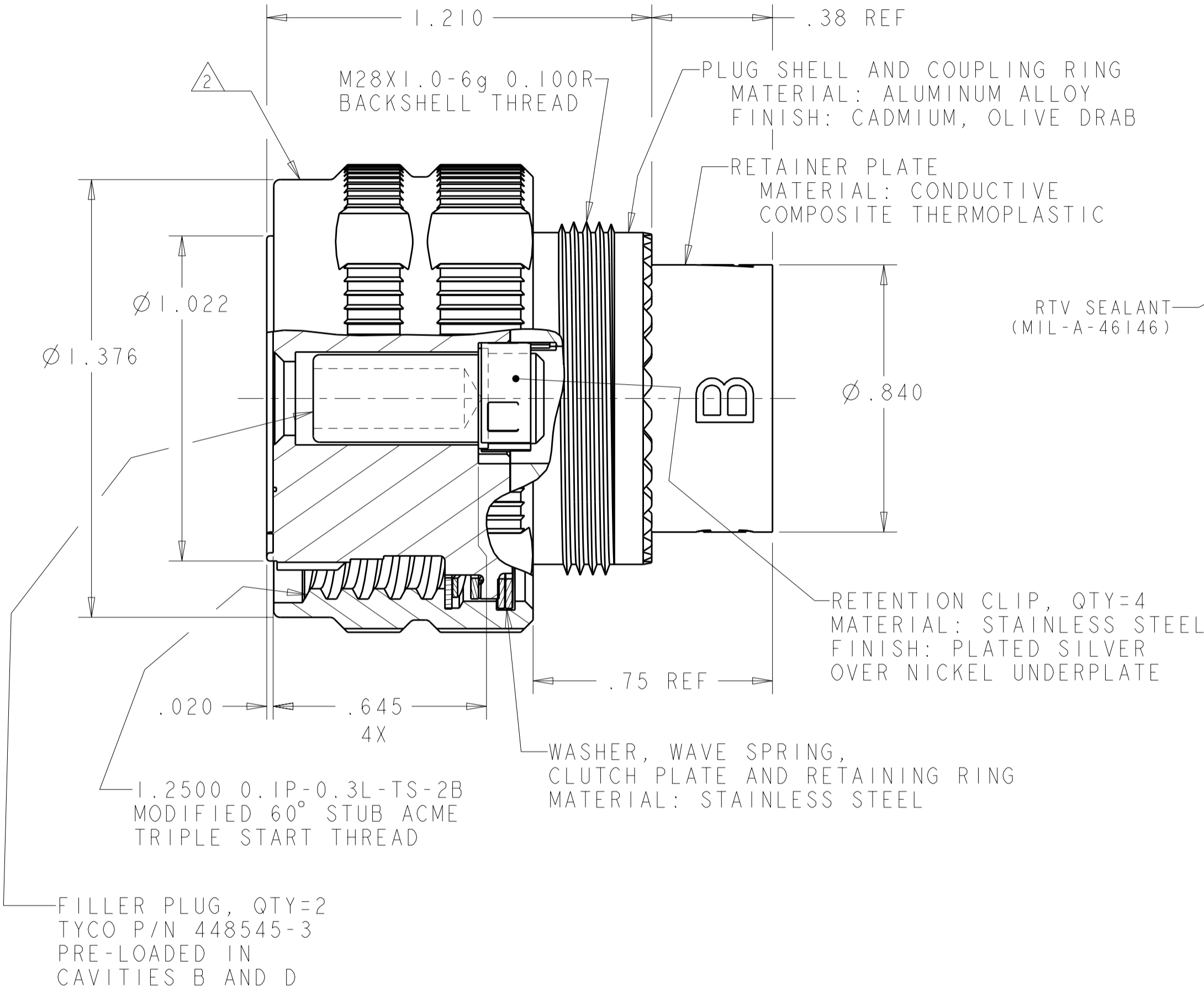
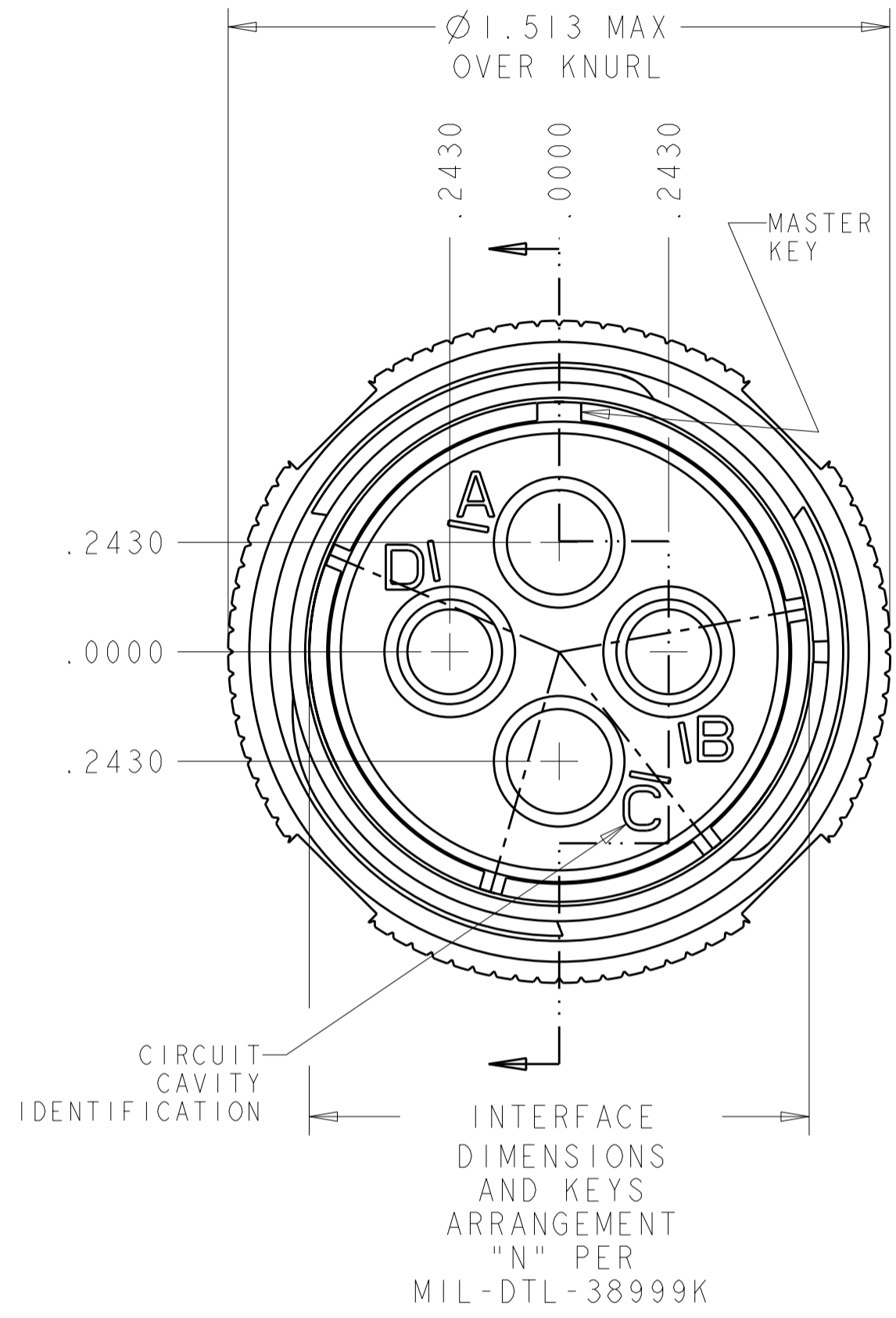


THIS DRAWING IS UNPUBLISHED. RELEASED FOR PUBLICATION 20
 © COPYRIGHT 20 BY TYCO ELECTRONICS CORPORATION. ALL RIGHTS RESERVED.

LOC	DIST	REVISIONS					
DF	A5	P	LTR	DESCRIPTION	DATE	DWN	APVD
		C		REV PER ECO 08-029679	2-4-09	CT	DM



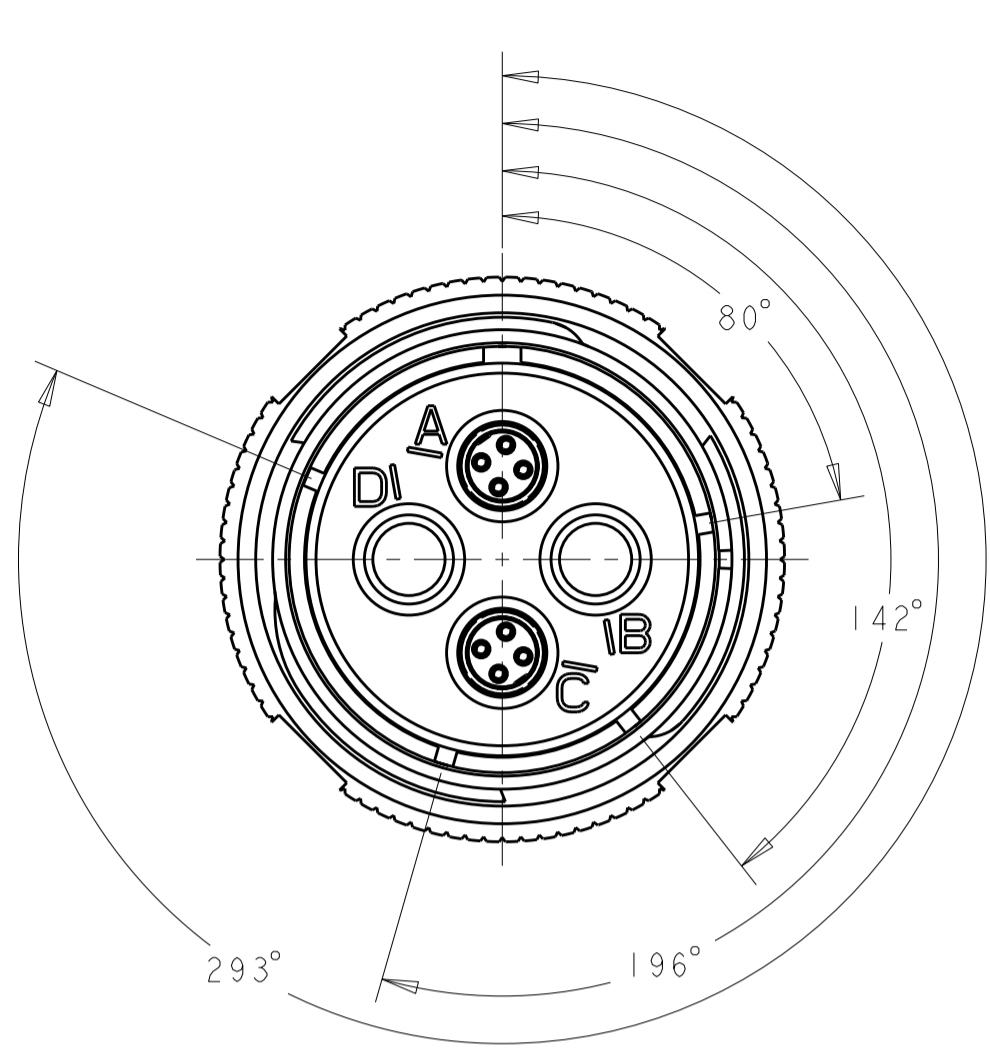
- THIS CONNECTOR ACCEPTS TYCO ELECTRONICS QUADRAX SOCKET ASSEMBLY; PART NUMBER 1877040-2. ASSEMBLED USING 150Ω CABLE SIMILAR TO RAYCHEM CEC-RWC-18680 OR TENSOLITE 26473/02006X-4LD. CONTACT TYCO ELECTRONICS FOR DETAILS ON COMPLETE HARNESS ASSEMBLY.
- PART IS MARKED WITH TYCO ELECTRONICS PART NO. (SEE TABLE), TYCO ELECTRONICS LOGO OR TE, TYCO ELECTRONICS CAGE CODE, AND DATE CODE.
- OPERATING TEMPERATURE RANGE: -65°C TO +125°C (-85°F TO +257°F).
- THE CONNECTOR QUALIFICATION WAS COMPLETED PER TYCO ELECTRONICS 108-2199. THE QUADRAX CONTACTS ARE QUALIFIED PER TYCO ELECTRONICS 108-2131. THE REFERENCE TEST REPORTS ARE TYCO ELECTRONICS 501-660 FOR THE CONNECTOR AND 501-574 FOR THE CONTACTS WHICH ARE SAME AS ARINC 600-13, DRAFT 2 OF SUPPLEMENT 14 (AIR TRANSPORT AVIONICS EQUIPMENT INTERFACES).

PROVIDED UN-ASSEMBLED	B	1811929-3
PROVIDED UN-ASSEMBLED	A	1811929-2
PROVIDED UN-ASSEMBLED	N	1811929-1
QUADRAX CONTACT 1877040-2 QTY=2	SHELL KEYING ARRANGEMENT	PART NUMBER

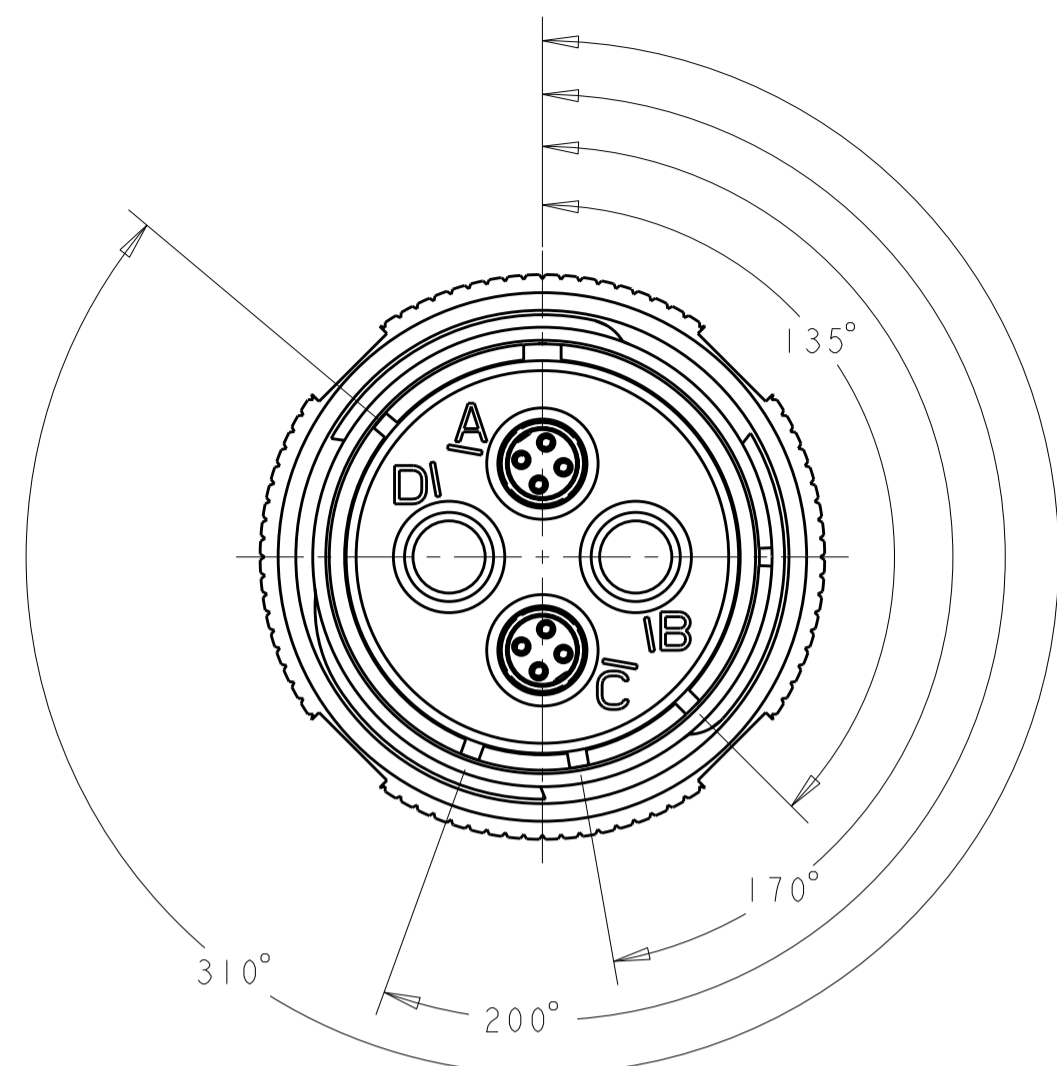
DIMENSIONS: INCHES		TOLERANCES UNLESS OTHERWISE SPECIFIED:		DWN 27FEB2006 B.D.YOHN		Tyco Electronics Harrisburg, PA 17105-3608	
0 PLC	±.	1 PLC	±.01	CHK L OH	27FEB2006	NAME ASSY, PLUG, SIZE 19, 404, M38999-STYLE, WITH CAVITY FILLER PLUGS	
2 PLC	±.01	3 PLC	±.005	APVD L OH	27FEB2006	SIZE A2	CAGE CODE 00779
4 PLC	±.0020	ANGLES	±1°	PRODUCT SPEC	-	DRAWING NO	1811929
MATERIAL	-	FINISH	-	APPLICATION SPEC	-	RESTRICTED TO	-
				WEIGHT	-	SCALE	3:1
				CUSTOMER DRAWING	-	SHEET	1 OF 2

THIS DRAWING IS UNPUBLISHED. RELEASED FOR PUBLICATION 20
 © COPYRIGHT 20 BY TYCO ELECTRONICS CORPORATION. ALL RIGHTS RESERVED.

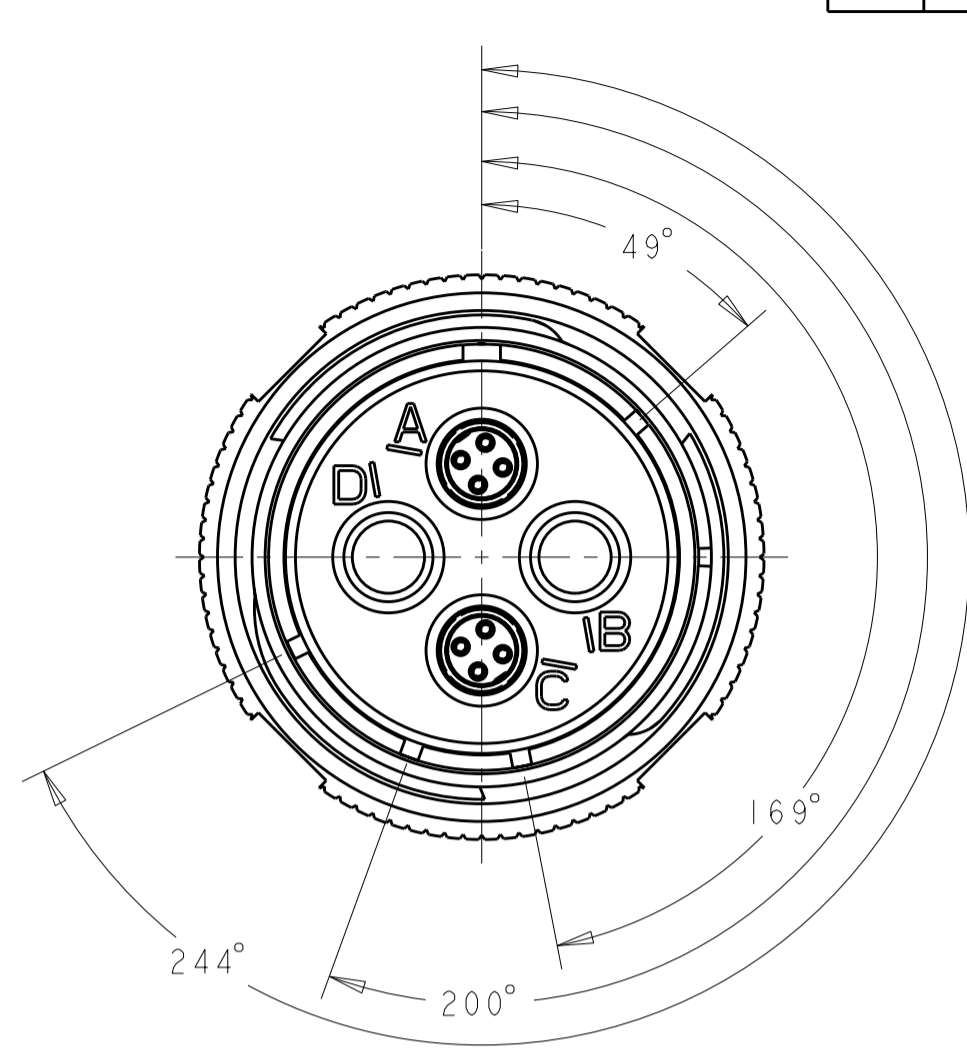
LOC	DIST	REVISIONS					
DF	A5	P	LTR	DESCRIPTION	DATE	DWN	APVD
		-		SEE SHEET 1			



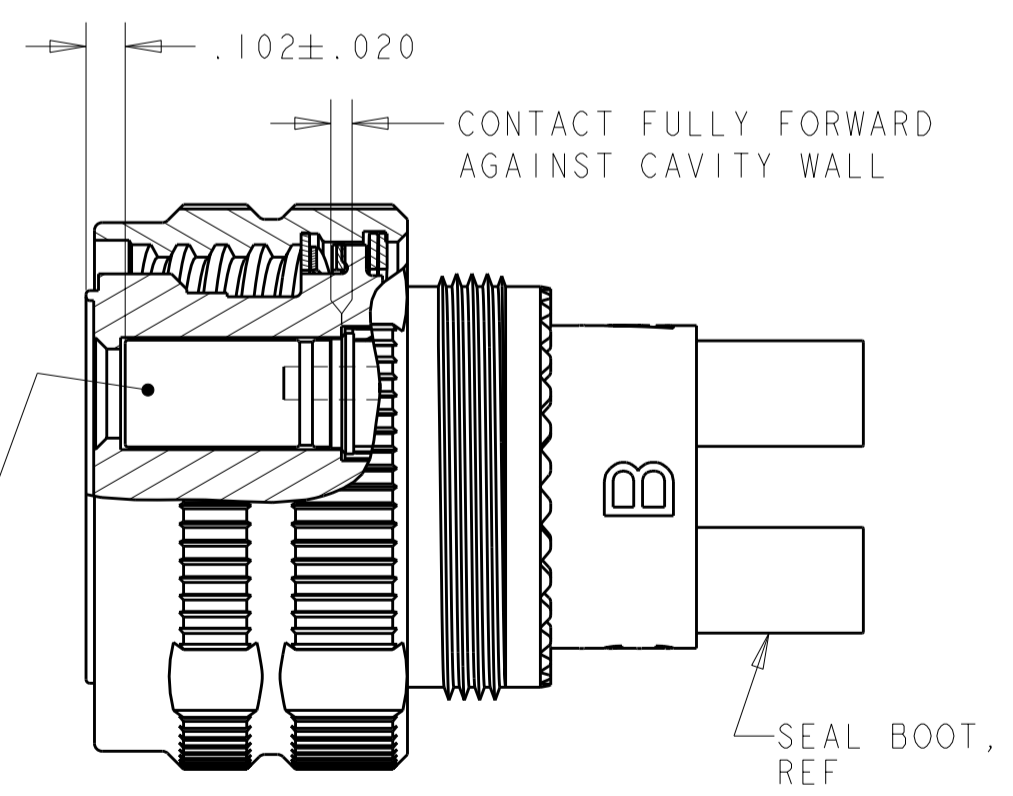
1811929-1
"N" KEY POLARIZATION



1811929-1
"A" KEY POLARIZATION



1811929-1
"B" KEY POLARIZATION



QUADRAX SOCKET ASSY, 1877040-2
SHOWN FOR REF ONLY; ON ASSY
1811929-1, -2, & -3, THE CONTACT
IS PROVIDED UN-ASSEMBLED

<small>THIS DRAWING IS A CONTROLLED DOCUMENT FOR TYCO ELECTRONICS CORPORATION IT IS SUBJECT TO CHANGE AND THE CONTROLLING ENGINEERING ORGANIZATION SHOULD BE CONTACTED FOR THE LATEST REVISION.</small>		DWN B.D. YOHN 27FEB2006 CHK L.OH 27FEB2006 APVD L.OH 27FEB2006	Tyco Electronics Harrisburg, PA 17105-3608
DIMENSIONS: INCHES 	TOLERANCES UNLESS OTHERWISE SPECIFIED: 0 PLC ±. 1 PLC ±.01 2 PLC ±.01 3 PLC ±.005 4 PLC ±.0020 ANGLES ±1° FINISH	PRODUCT SPEC APPLICATION SPEC WEIGHT CUSTOMER DRAWING	NAME ASSY, PLUG, SIZE 19, 404, M38999-STYLE, WITH CAVITY FILLER PLUGS SIZE A2 CAGE CODE 00779 DRAWING NO. C-1811929 RESTRICTED TO SCALE 3:1 SHEET 2 OF 2 REV C