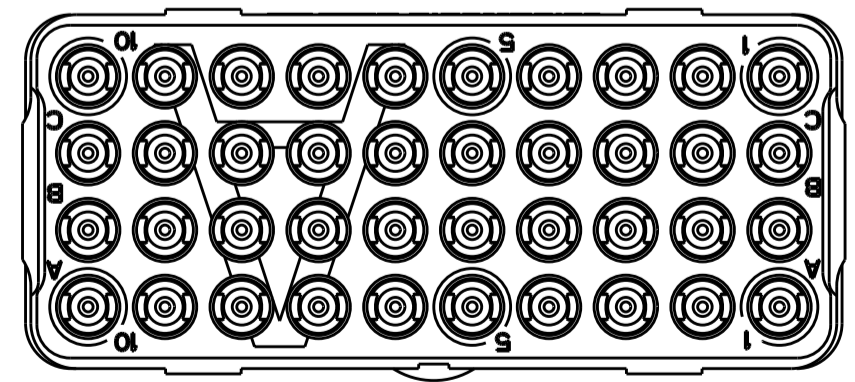
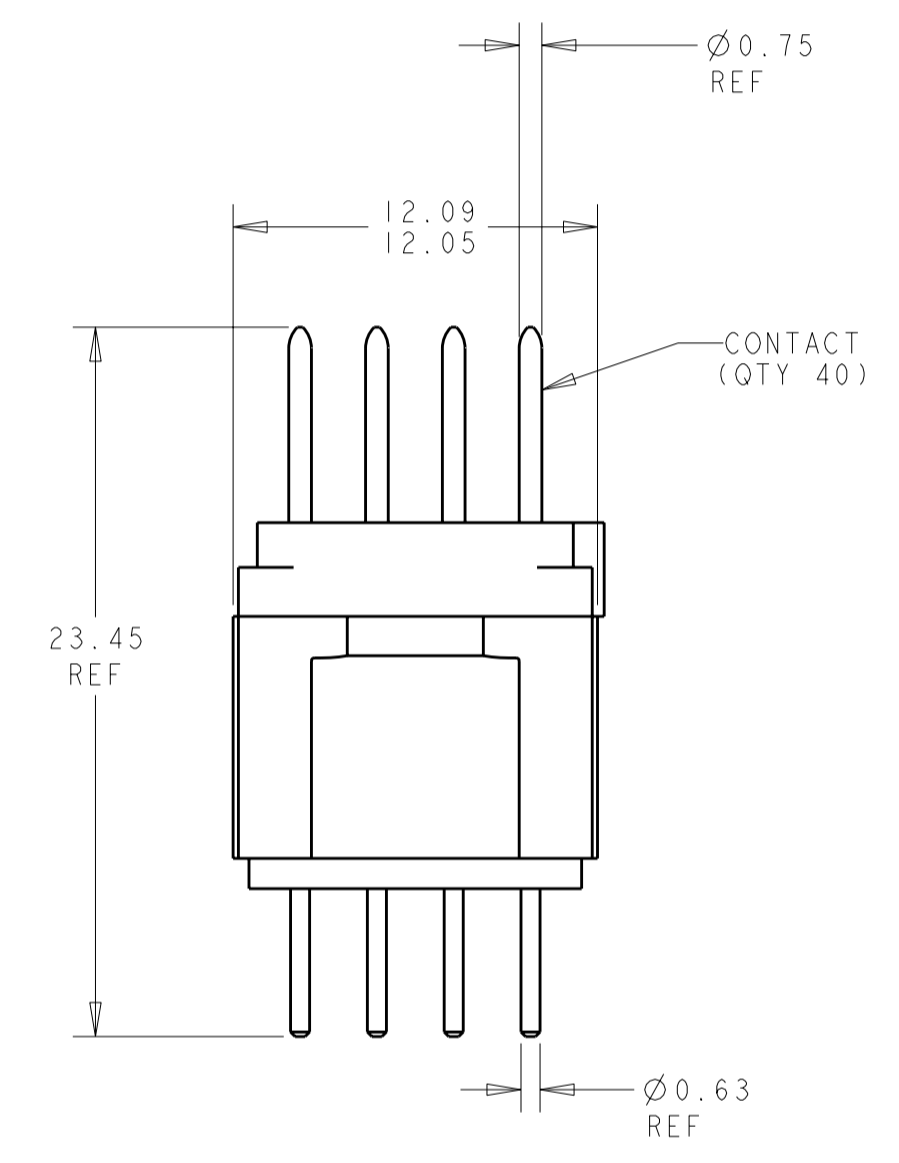
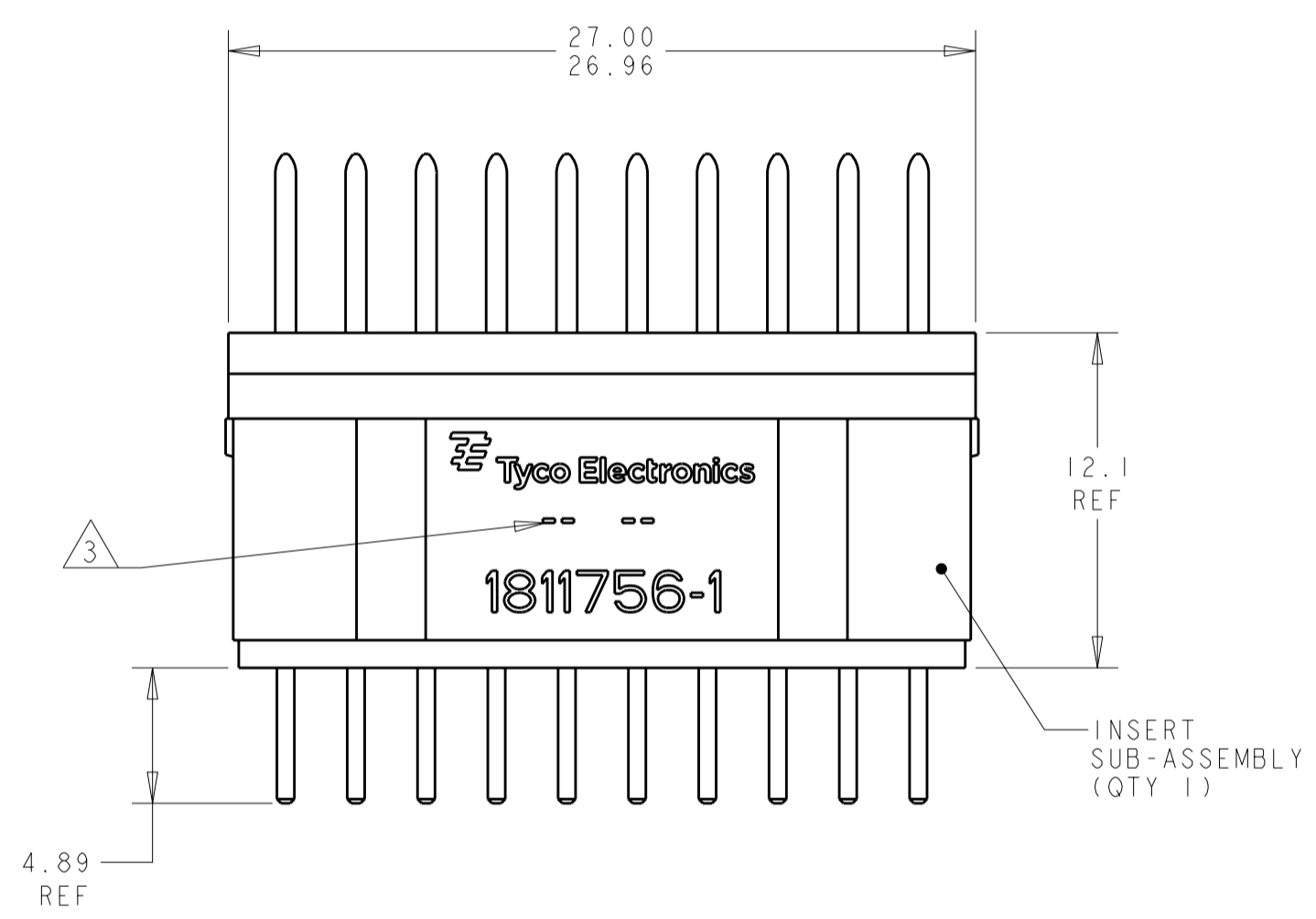
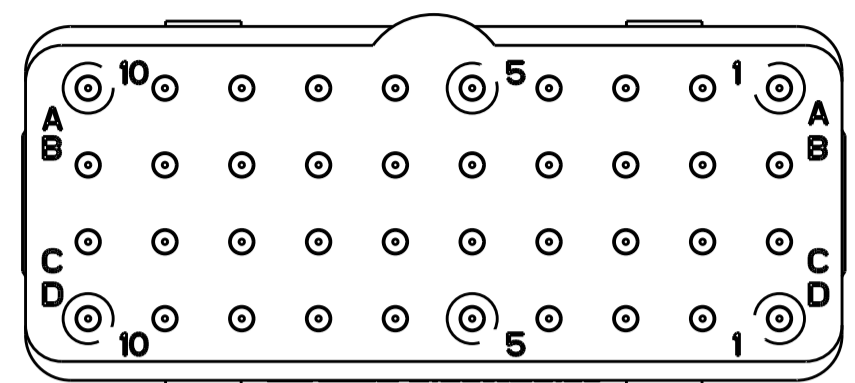


THIS DRAWING IS UNPUBLISHED. RELEASED FOR PUBLICATION 20
 © COPYRIGHT 20 BY TYCO ELECTRONICS CORPORATION. ALL RIGHTS RESERVED.

LOC	DIST	REVISIONS			
P	LTR	DESCRIPTION	DATE	DWN	APVD
	B	REV PER ECO-07-005108	10AUG05	BH	JPM
	C	REV PER ECO-08-031429	14JAN09	DCB	JM

MATING FACE



- 1 FRONT & REAR INSULATOR: HIGH-TEMP THERMOPLASTIC OR THERMOSET EPOXY PER ASTM D5948
CONTACT RETENTION CLIP: COPPER ALLOY PER ASTM B194 OR STAINLESS STEEL PER AISI 302
CONTACT: COPPER ALLOY C97
- 2 CONTACT: 1.27µm MIN GOLD PER ASTM B488 OVER 1.5µm MIN NICKEL PER QQ-N-290 ON ENTIRE STOCK.
- 3 DATE CODE - YEAR & WEEK (YY WW)
- 4. THIS PRODUCT IS SOLD BY TYCO ELECTRONICS UNDER A LICENSE FROM RADIALL SA.

1811756-1
PART NUMBER

THIS DRAWING IS A CONTROLLED DOCUMENT FOR TYCO ELECTRONICS CORPORATION IT IS SUBJECT TO CHANGE AND THE CONTROLLING ENGINEERING ORGANIZATION SHOULD BE CONTACTED FOR THE LATEST REVISION.		DWN	BH	10AUG05	Tyco Electronics Harrisburg, PA 17105-3608
DIMENSIONS:		CHK	JPM	10AUG05	
mm		APVD	JPM	10AUG05	
		PRODUCT SPEC		NAME	
TOLERANCES UNLESS OTHERWISE SPECIFIED:		APPLICATION SPEC		SIZE	INSERT ASSY, ARRANGEMENT 40, KEY A, W/ SIZE 22 PIN CONTACTS INSTALLED, GPRB
0 PLC ± - 1 PLC ± - 2 PLC ± - 3 PLC ± - 4 PLC ± - ANGLES ± - FINISH		WEIGHT		CAGE CODE	
MATERIAL		CUSTOMER DRAWING		SCALE	RESTRICTED TO
1		2		5:1	A2 00779C-1811756
				SHEET	REV
				OF	C