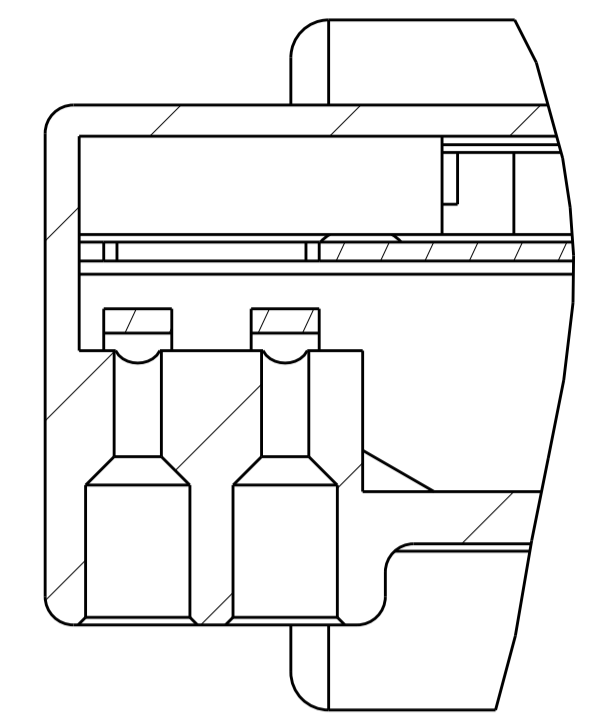


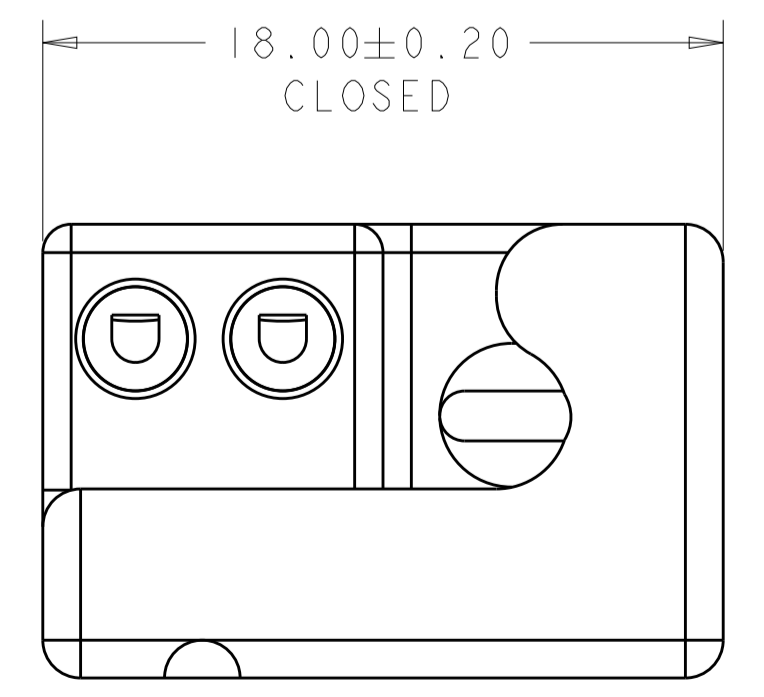
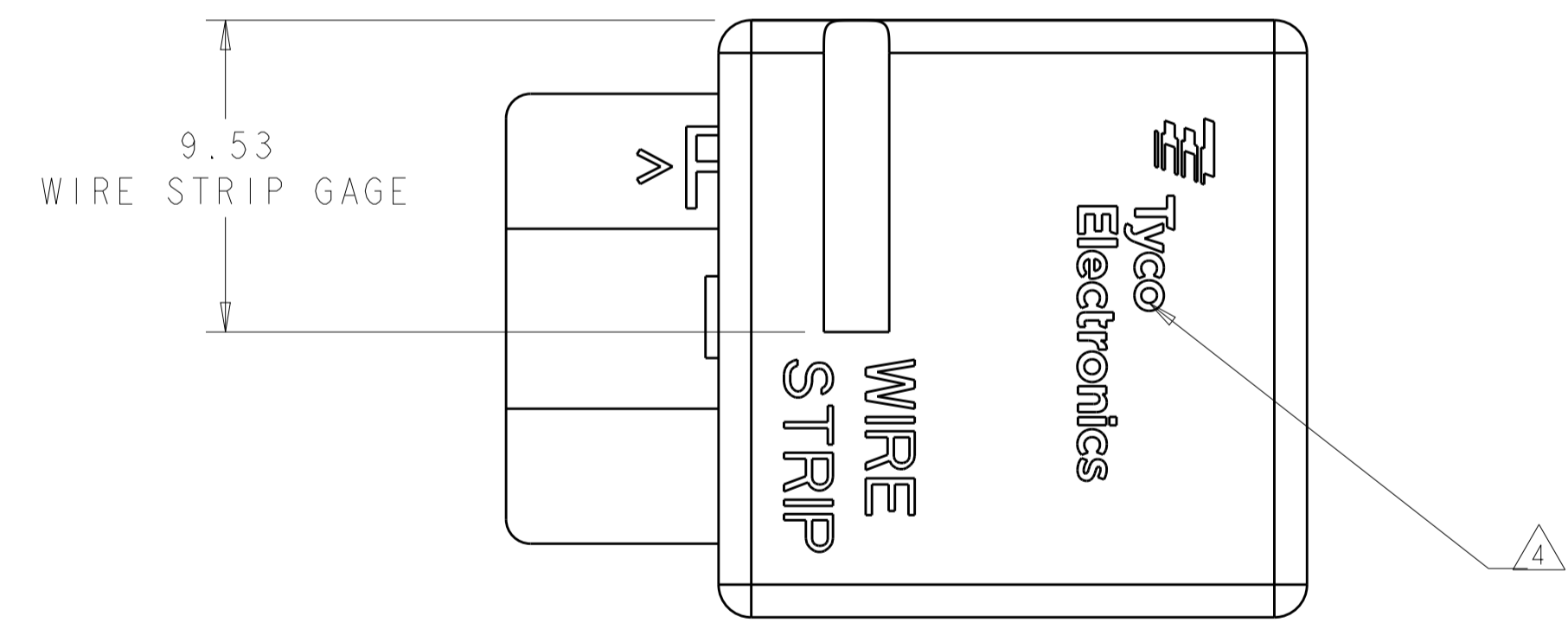
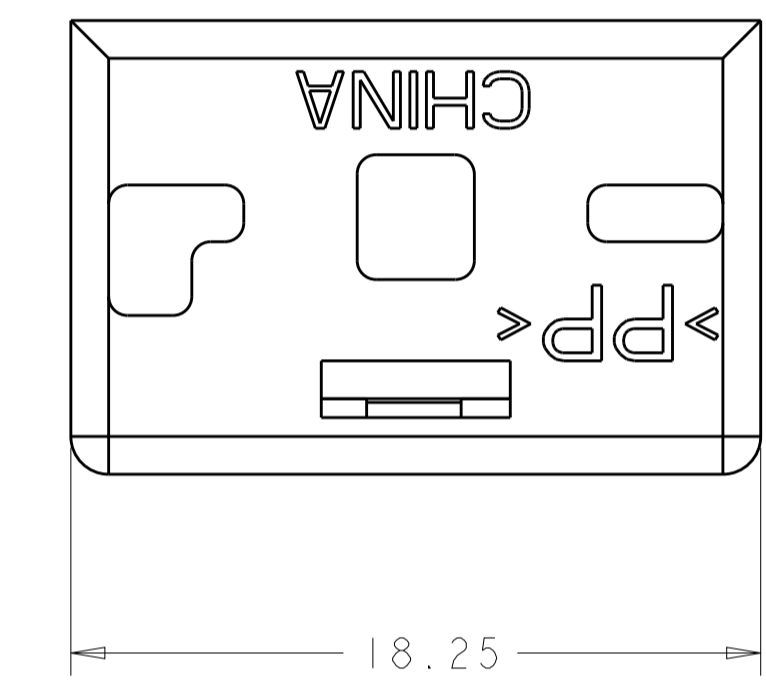
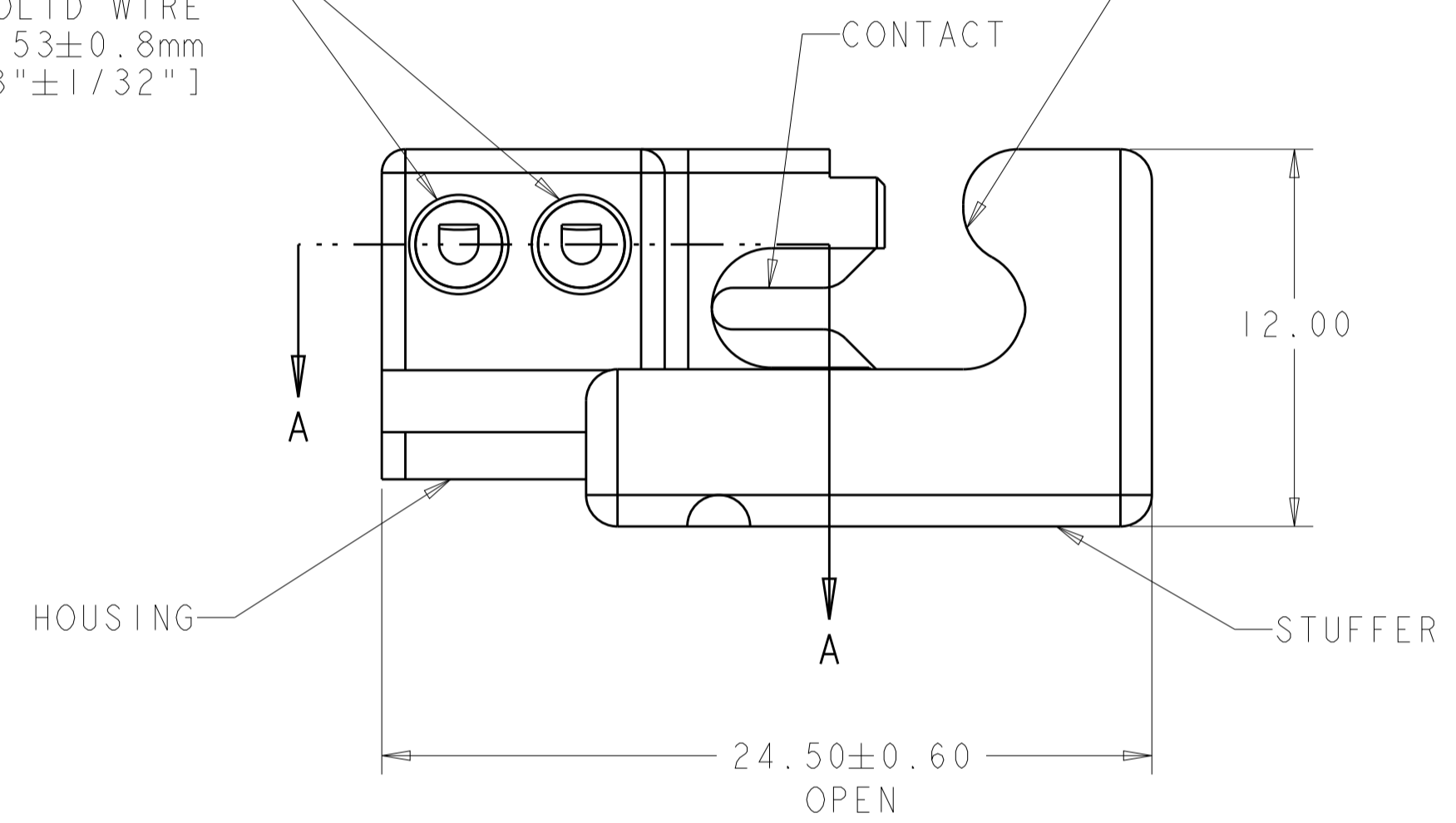
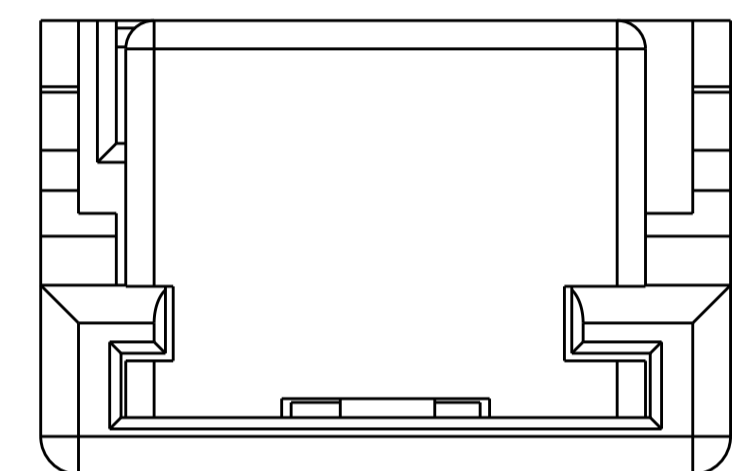
REVISONS		DATE	DWN	APVD
P	LTN	DESCRIPTION		
B2		REVISED PER ECO-17-012433	24AUG2017	SK DD



SECTION A-A

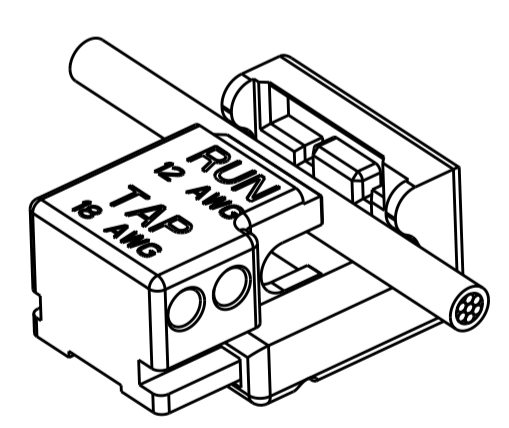
POKE-IN CAVITIES
 ACCEPTS 18 AWG PRE-STRIPPED
 SOLID WIRE
 STRIP LENGTHS: 9.53±0.8mm
 [3/8"±1/32"]

IDC AREA
 1811027-1 ACCEPTS 12 AWG SOLID OR STRANDED (19 STRANDS MAX), THHN WIRE
 1811027-2 ACCEPTS 18 AWG SOLID TFN/TEWN WIRE
 CONTINUOUS (FEEDTHRU) WIRE

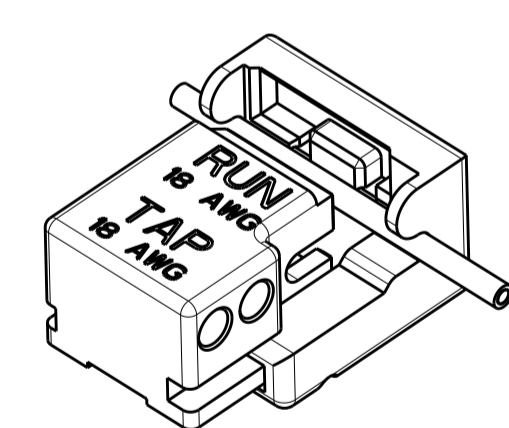


TERMINATED DETAIL

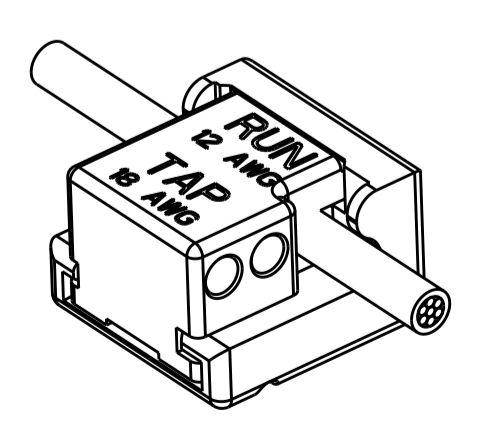
- △ MATERIAL:
 HOUSING: THERMOPLASTIC, COLOR: SEE TABLE
 STUFFER: THERMOPLASTIC, COLOR : SEE TABLE
 CONTACT: COPPER ALLOY, 0.50 THICK
- △ FINISH:
 CONTACT: TIN PLATE
- 3. PRODUCT SPECIFICATION: 108-2219
 APPLICATION SPECIFICATION: 114-13151
- △ THE LOGO MAY BE JUST "TYCO" UNTIL COMPONENTS
 ARE CONVERTED.



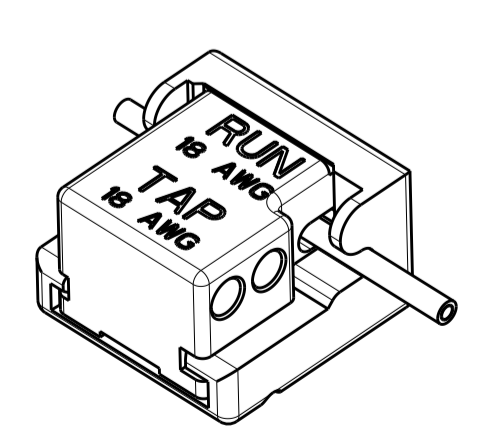
SCALE 2:1



SCALE 2:1



SCALE 2:1



SCALE 2:1

1811027-1

1811027-2

CONNECTOR COLOR	FEED THRU WIRE SIZE	PART NUMBER
GRAY	14 AWG	1811027-3
BLUE	18 AWG	1811027-2
BROWN	12 AWG	1811027-1

THIS DRAWING IS A CONTROLLED DOCUMENT.		DWN: D. FABIAN 28-Oct-04	TE Connectivity	
DIMENSIONS: mm		CHK: J. ALLISON 16-Nov-07		
TOLERANCES UNLESS OTHERWISE SPECIFIED:		APVD: J. ALLISON 16-Nov-07	NAME: ASSEMBLY, WIRE SPLICE IDC / POKE-IN	
0 PLC ±	1 PLC ±0.13	PRODUCT SPEC: 108-2219	SIZE: CAGE CODE DRAWING NO. RESTRICTED TO	
2 PLC ±0.013	3 PLC ±0.013	APPLICATION SPEC: 114-13151	A100779C=1811027	
4 PLC ±	ANGLES ±1	WEIGHT: -	SCALE: 5:1 SHEET 1 OF 1 REV: B2	
MATERIAL: △		FINISH: △	CUSTOMER DRAWING	