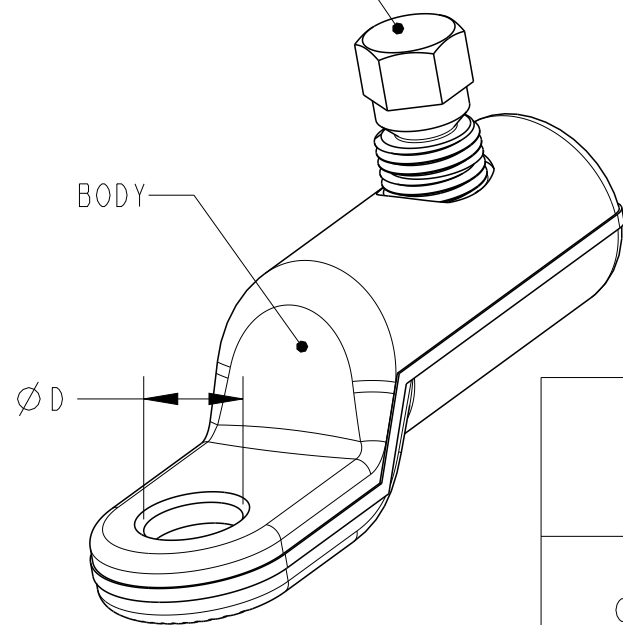
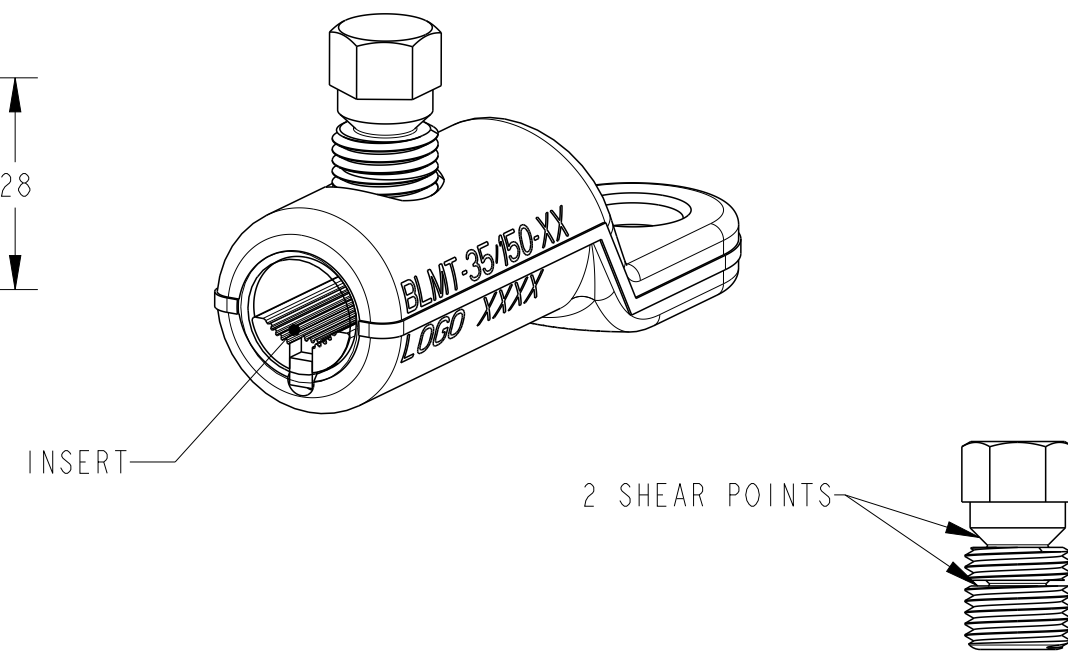
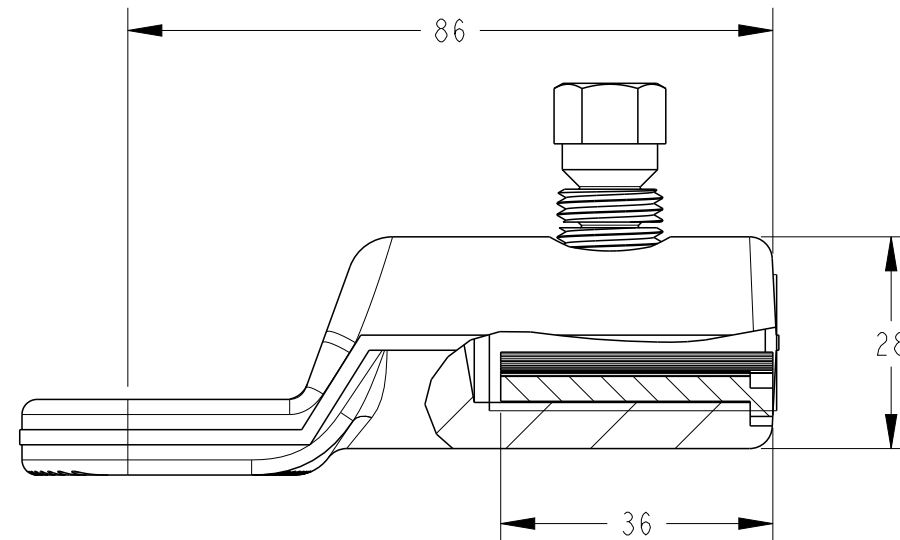
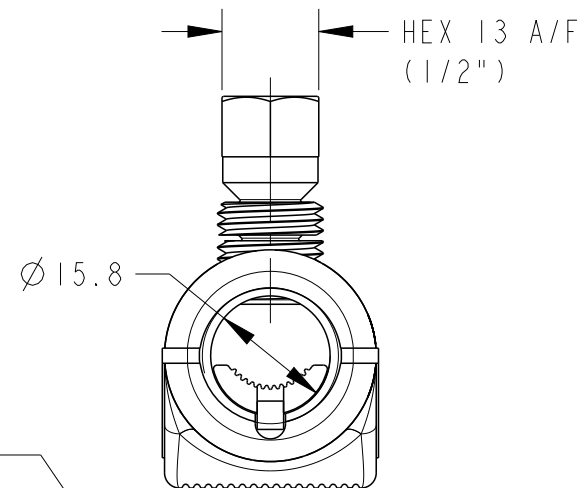


© 2020 TE Connectivity. All Rights Reserved.

BLMT-35/150-17	17	D80047-000
BLMT-35/150-13	13	F61108-000
DESCRIPTION	ØD	PART NUMBER

REVISIONS

P	LTR	DESCRIPTION	DATE	DWN	APVD
	O	CREATION	26JAN2005	NA	AD
	A	INITIAL RELEASE	26JAN2005	AD	BM
	B	HEX BOLT HEAD REDUCED PER ECR	01SEP2020	NB	BM



	AL				CU			
	RM ROUND STRANDED	RE ROUND SOLID	SM SECTOR STRANDED	SE SECTOR SOLID	RM ROUND STRANDED	RE ROUND SOLID	SM SECTOR STRANDED	ROUND FLEXIBLE
CONDUCTOR CROSS-SECTION QUERSCHNITTSBEREICH mm <sup>2</sup>	35 - 150	35 - 150	50 - 95	50 - 120	35 - 150	35 - 50	50 - 95	70
CONDUCTOR DIAMETER LEITERDURCHMESSER mm	Ø 6.8 - Ø 15	Ø 6.5 - Ø 14	-	-	Ø 6.6 - Ø 15	Ø 6.5 - Ø 8	-	Ø 11-Ø 13.1

TOLERANCES UNLESS OTHERWISE SPECIFIED: -  
TOLERANCES NON SPECIFIEES: -

THIS DRAWING IS A CONTROLLED DOCUMENT.		DWN N. ALMEIDA 26JAN2005	<b>STE</b> TE Connectivity	
DIMENSIONS: mm		CHK A. GUICHARD		
TOLERANCES UNLESS OTHERWISE SPECIFIED: 0 PLC ±0 1 PLC ±0 2 PLC ±0 3 PLC ±0 4 PLC ±0 ANGLES ±-		APVD N. ALMEIDA	NAME BLMT-35/150-13 BLMT-35/150-17	
MATERIAL AL ALLOY		FINISH TINNED	PRODUCT SPEC -	APPLICATION SPEC -
		WEIGHT 112g	SIZE A3	CAGE CODE 00779
		CUSTOMER DRAWING	DRAWING NO C-1806906	RESTRICTED TO -
		SCALE 1:1	SHEET 1	OF 1
			REV B	