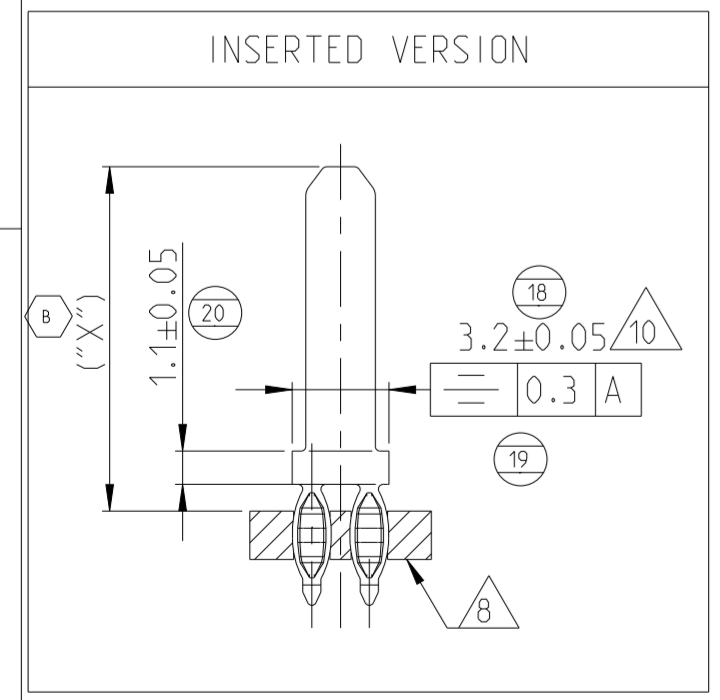
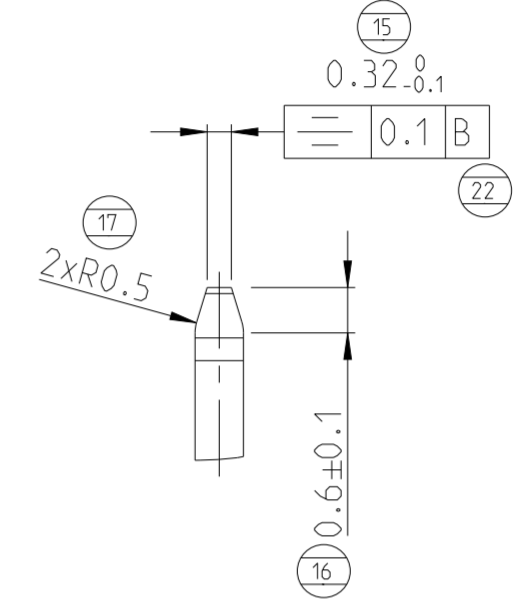
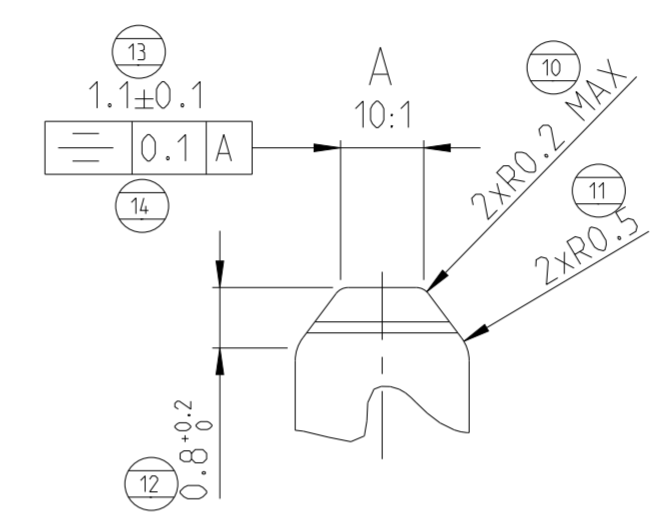
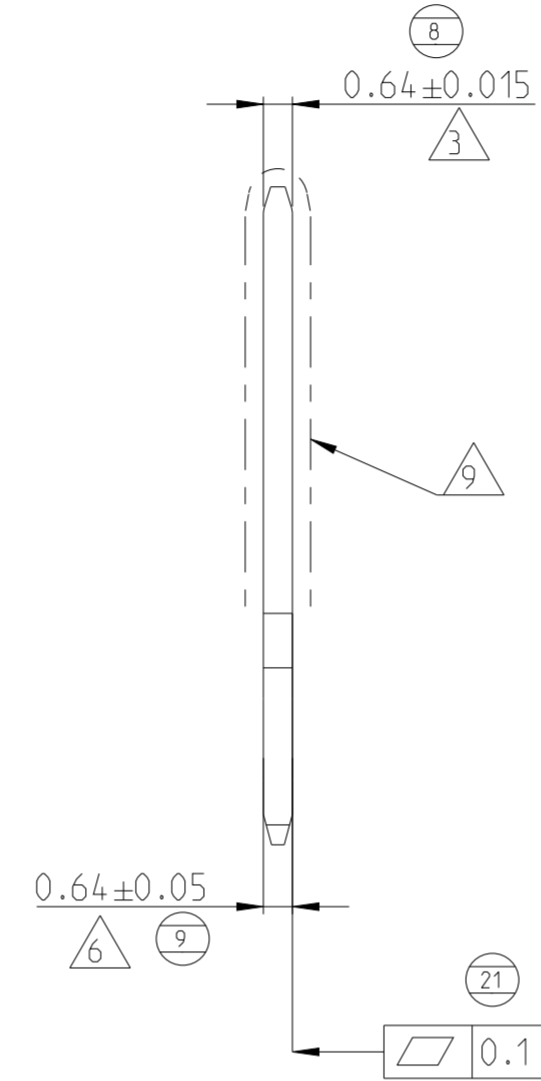
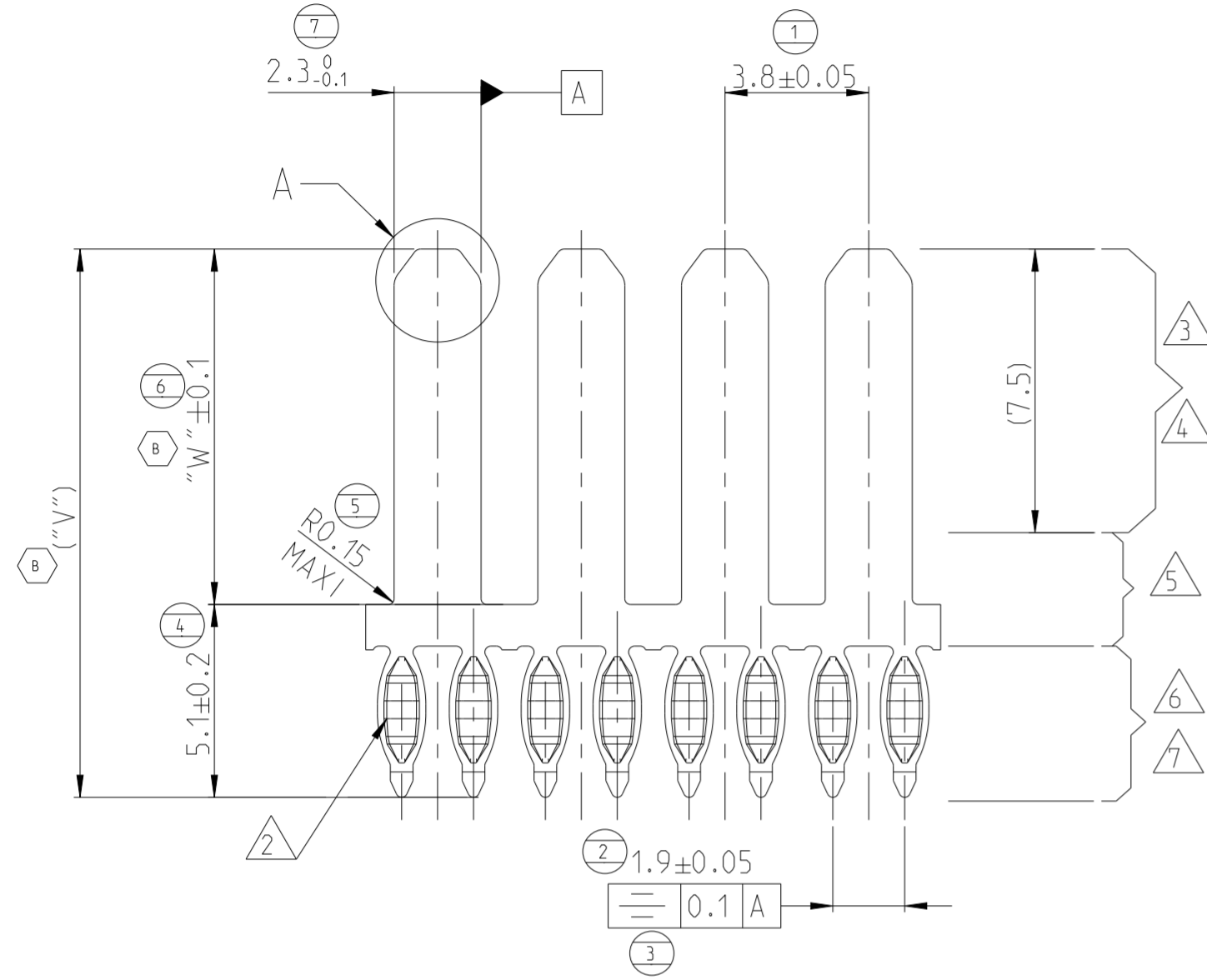


THIS DRAWING IS UNPUBLISHED. RELEASED FOR PUBLICATION 2011
 © COPYRIGHT 2011 ALL RIGHTS RESERVED.

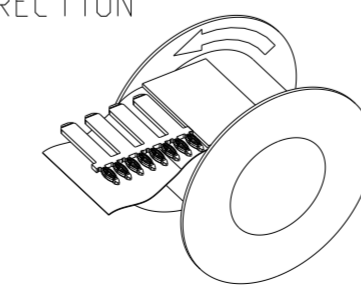
REVISIONS					
P	LTR	DESCRIPTION	DATE	DWN	APVD
A		NEW DRAWING	16FEB2018	SG	JL
B		ADD NEW P/N 1-1801696-3	01FEB2019	SG	JL
C		P/N 1-1801696-3 OBSOLETE	25FEB2022	NT.N	J.L



- 1 MATERIAL: CuNiSi
- 2 PRESS-FIT MULTISPRING ACC TE SPEC 108-90800 REV-D
- 3 CONTACT AREA
- 4 TIN PLATING - LEAD FREE THICKNESS 0.8 TO 4 μm
- 5 TRANSITION AREA Sn ALLOWED
- 6 PRESS-FIT AREA
- 7 PLATING - LEAD FREE THICKNESS ACC TE SPEC 108-90800 REV-D
- 8 PCB HOLE DEFINITION: SEE TE SPEC 108-90800 REV-D
- 9 NO BURR, NO SHARP EDGE
- 10 DIM CONTROLLED BY INSERTION MACHINE
- 11 ACCORDING TO PACKAGING SPECIFICATION TE CONNECTIVITY : 107-15674
- 12 PART NUMBER OBSOLETE

FINISH	MATERIAL	DIM. "V"	DIM. "W"	DIM. "X"	TE PART NUMBER	PRC
3 4 5 6 7	1	14.5	9.4	11.4	2-1801696-1	A
		16.5	11.4	13.4	1-1801696-3	A

DEREELING DIRECTION



THIS DRAWING IS A CONTROLLED DOCUMENT.		DWN S. GALLERAND 16FEB2018	TE Connectivity	
DIMENSIONS: mm		CHK J. LALANGE 16FEB2018		
TOLERANCES UNLESS OTHERWISE SPECIFIED:		APVD J. LALANGE 16FEB2018	NAME TAB 2.3 x 0.64 NS WITH MULTISPRING	
0 PLC ±	1 PLC ±0.1	PRODUCT SPEC	SIZE A2	
2 PLC ±	3 PLC ±	APPLICATION SPEC	CAGE CODE 00779	DRAWING NO C-1801696
4 PLC ±	ANGLES ±°	WEIGHT	SCALE 6:1	SHEET 1 OF 1
FINISH		CUSTOMER DRAWING	RESTRICTED TO	REV C