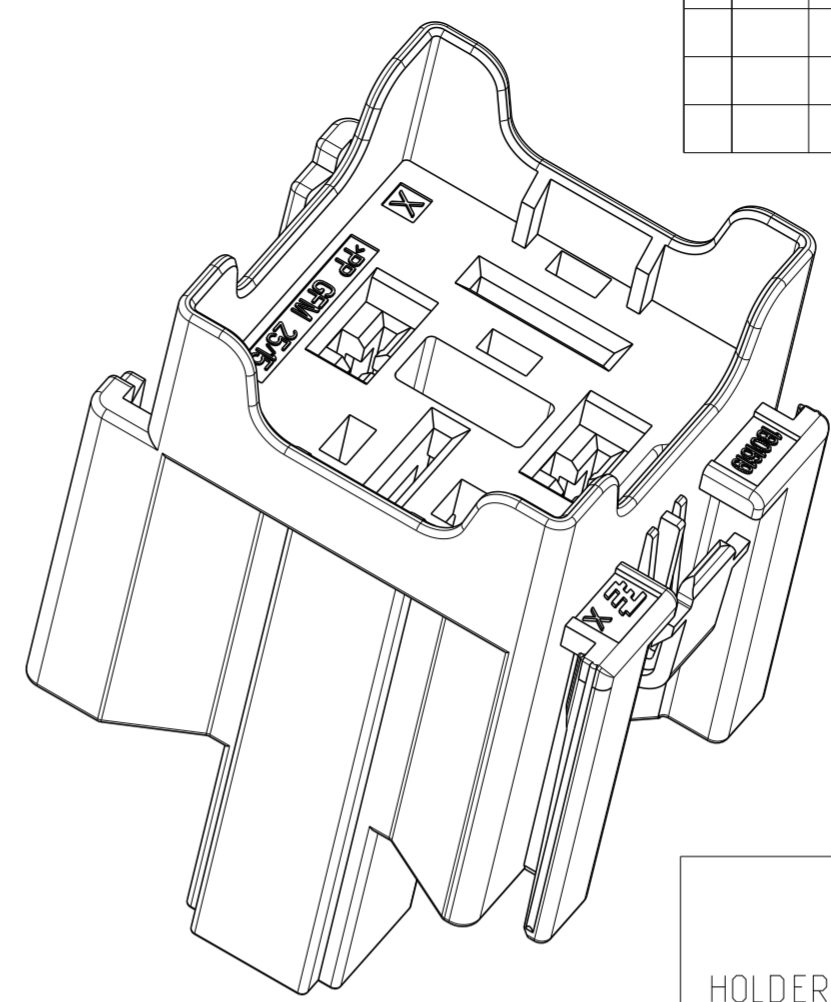
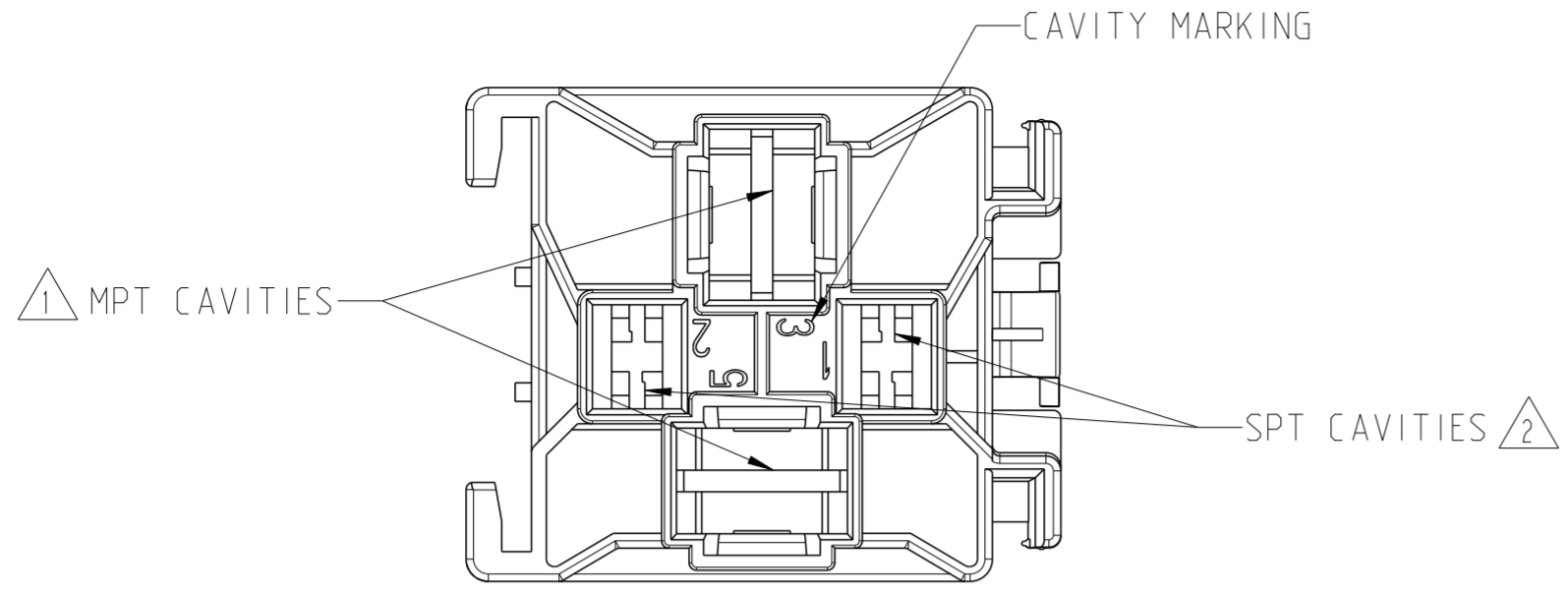
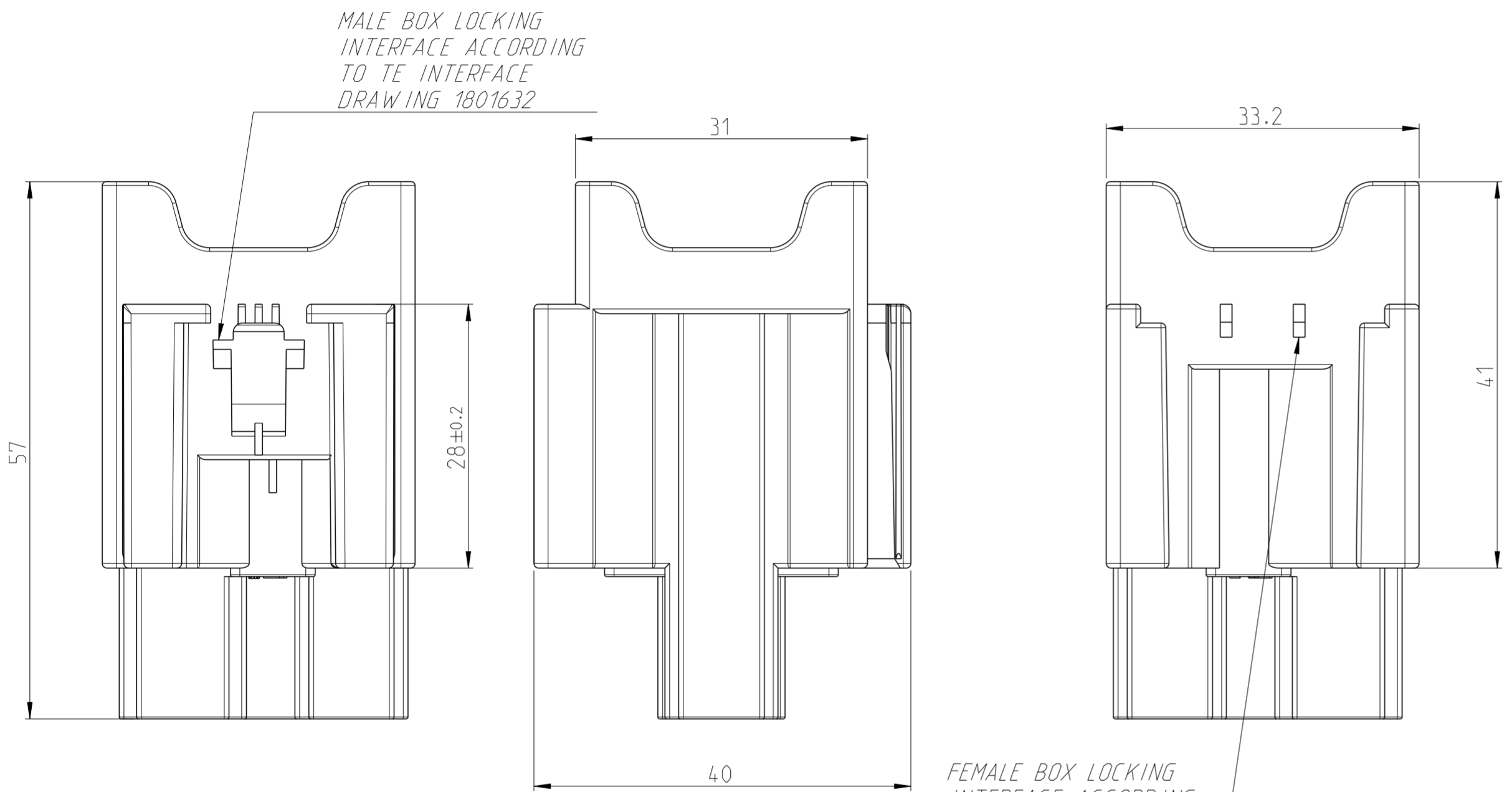


THIS DRAWING IS UNPUBLISHED. RELEASED FOR PUBLICATION 20
 © COPYRIGHT 20 ALL RIGHTS RESERVED.

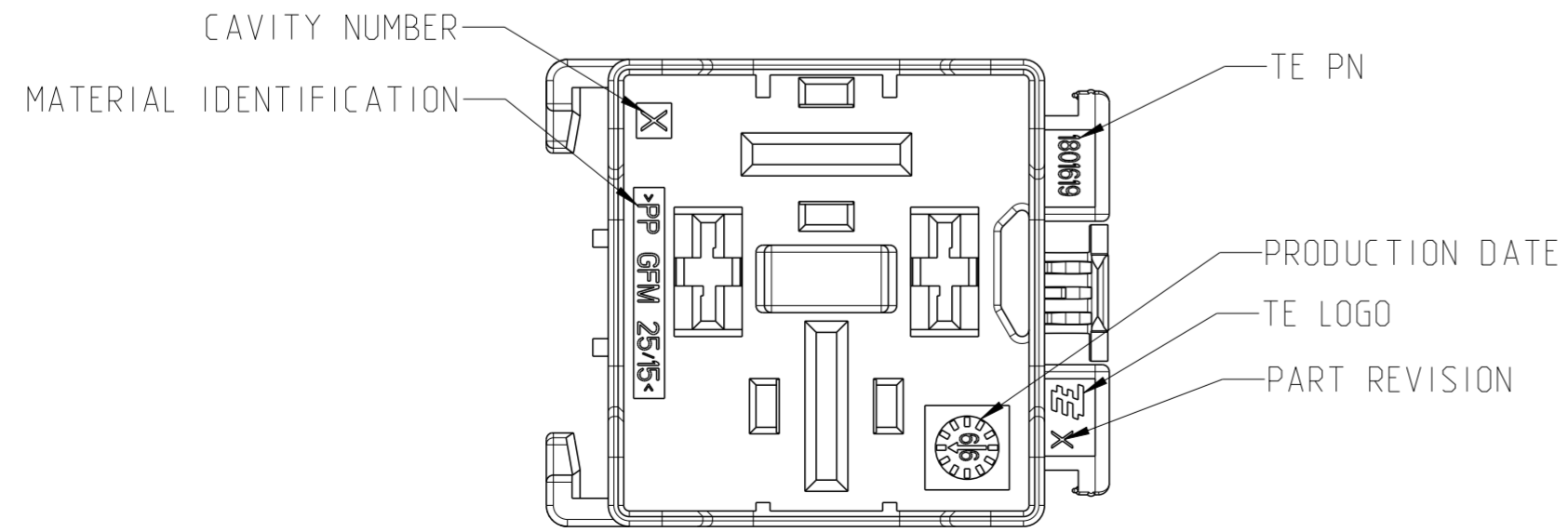
LOC	DIST	REVISIONS			
P	LTR	DESCRIPTION	DATE	DWN	APVD
F	00	A	INITIAL RELEASE	26AUG2013	TV IS



HOLDER LOADING CAPACITY	QUANTITY	1
	DESIGNATION	70A RELAY



DESCRIPTION	TE PN	COMMENTS
△2 SPT 3 - 5 mm ²	0-0144433-1	/
△2 SPT 1 - 3 mm ²	0-0144617-1	/
△2 SPT 0.5 - 1 mm ²	0-0927831-2	/
△1 MPT 7 - 10 mm ²	0-0962932-1	/
△1 MPT 4 - 6 mm ²	0-0962930-1	/
△1 MPT 2.5 - 4 mm ²	0-0962928-1	/
70A RESISTANCE RELAY ISO 7588-1 TYPE A	/	MAX. DIMENSIONS : 28x28x30 TAB ACCORDING TO : ISO 8092
APPLIED COMPONENTS		



PP GFM 25/15	BLACK	1801619-1	C
MATERIAL	COLOR	TE PN	TE PRC PART REVISION

THIS DRAWING IS A CONTROLLED DOCUMENT.		DWN I.VERNIER 19AUG2013	TE Connectivity	NAME RELAY 70A HOLDER	
DIMENSIONS: mm		CHK J.DREUX 19AUG2013		-	
TOLERANCES UNLESS OTHERWISE SPECIFIED:		APVD I.SMIRANI 19AUG2013		-	
0 PLC ±	1 PLC ±0.4	PRODUCT SPEC 108-15412	SIZE A2	CAGE CODE 00779	DRAWING NO C-1801619
2 PLC ±	3 PLC ±	APPLICATION SPEC 408-15010	SCALE 2:1	SHEET 1 OF 1	RESTRICTED TO -
4 PLC ±	ANGLES ±5°	FINISH	WEIGHT 19g	CUSTOMER DRAWING	REV A