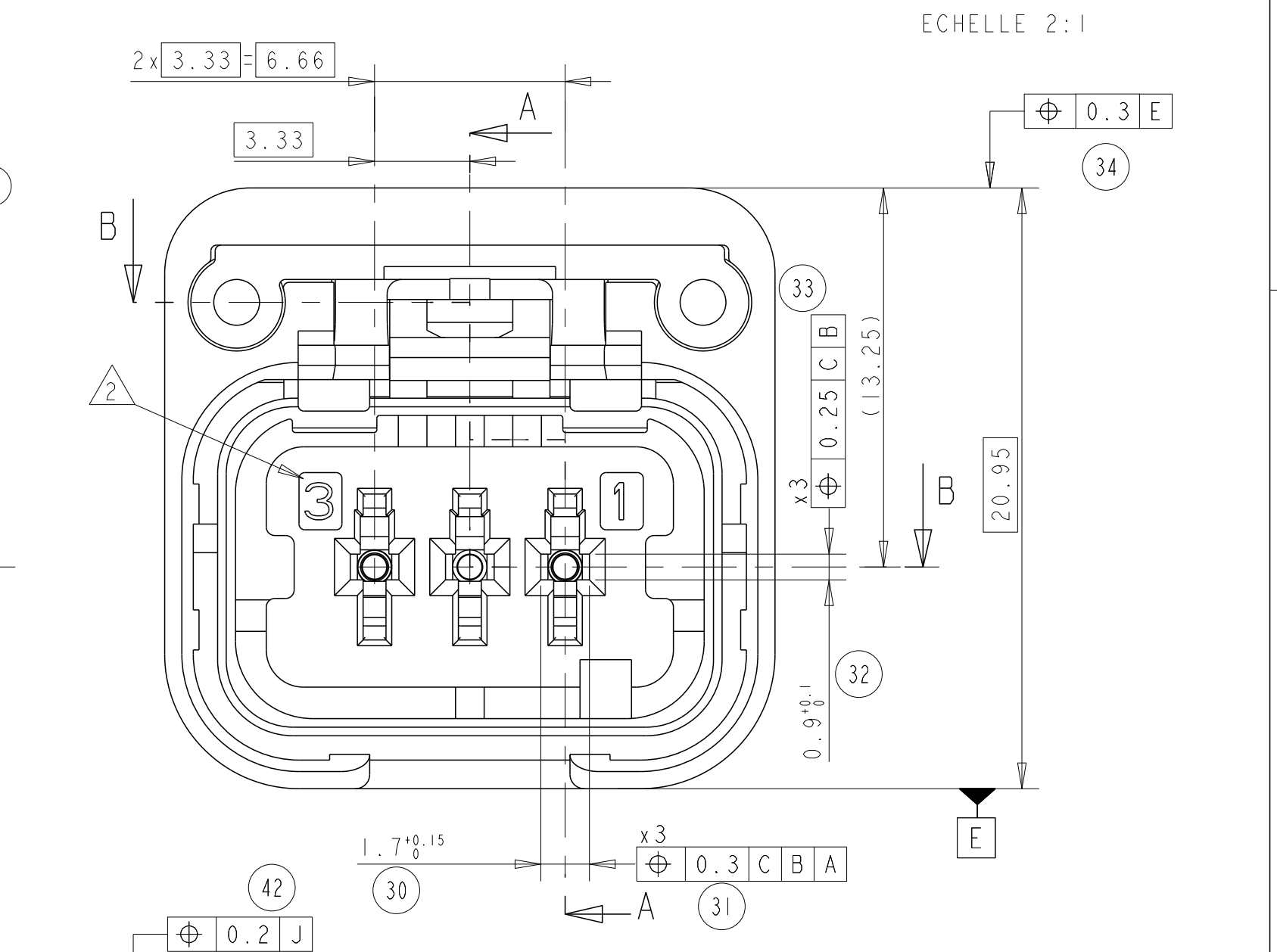
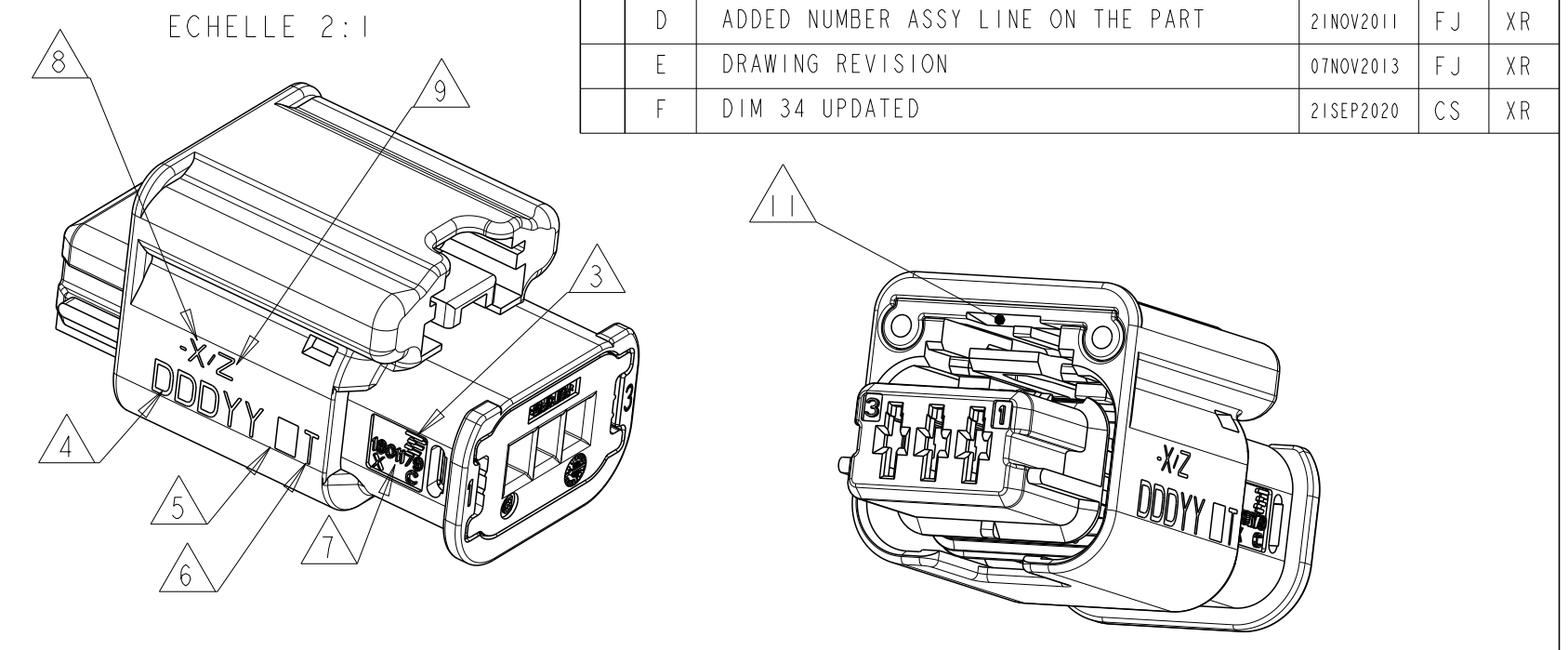
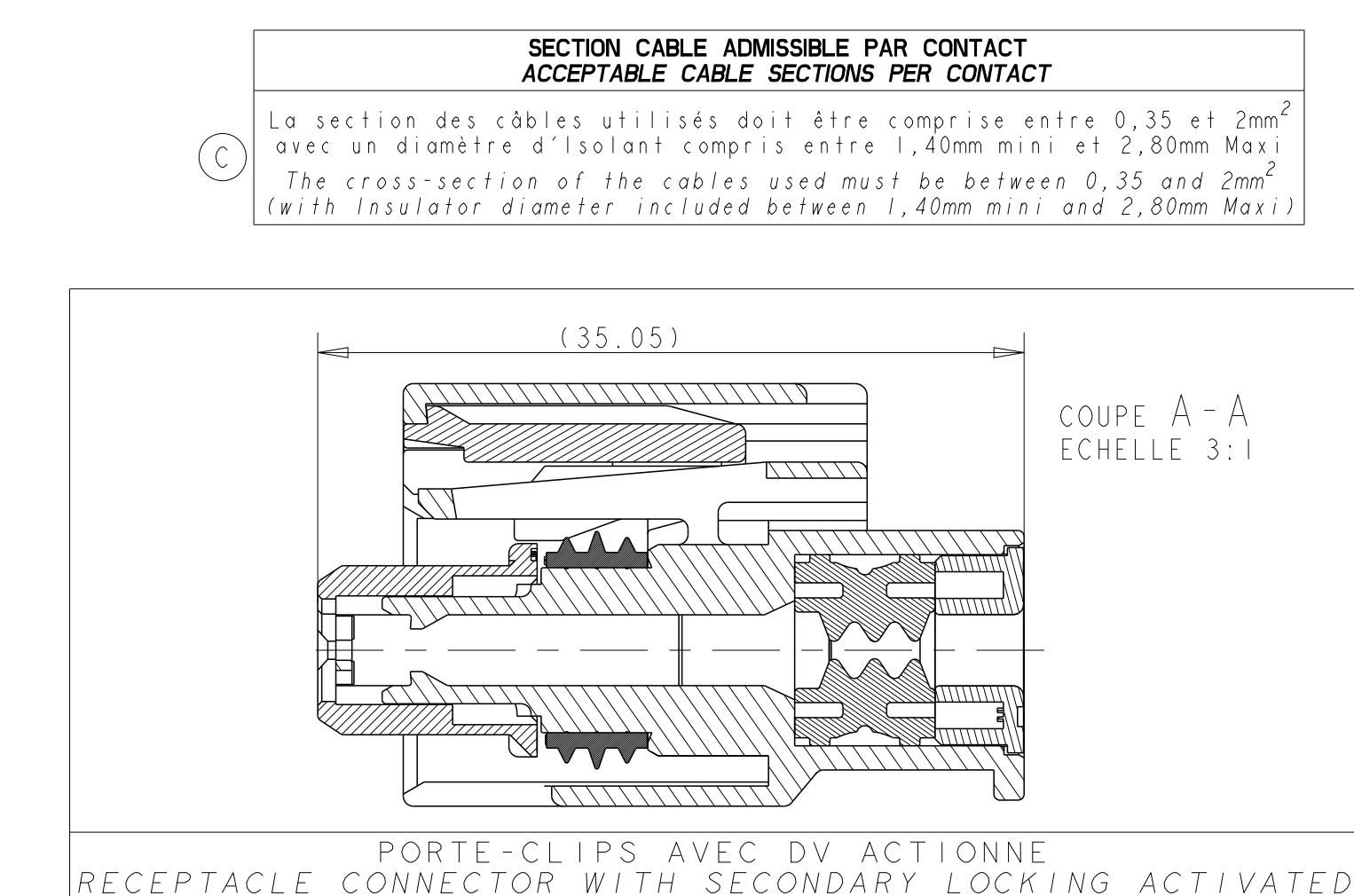
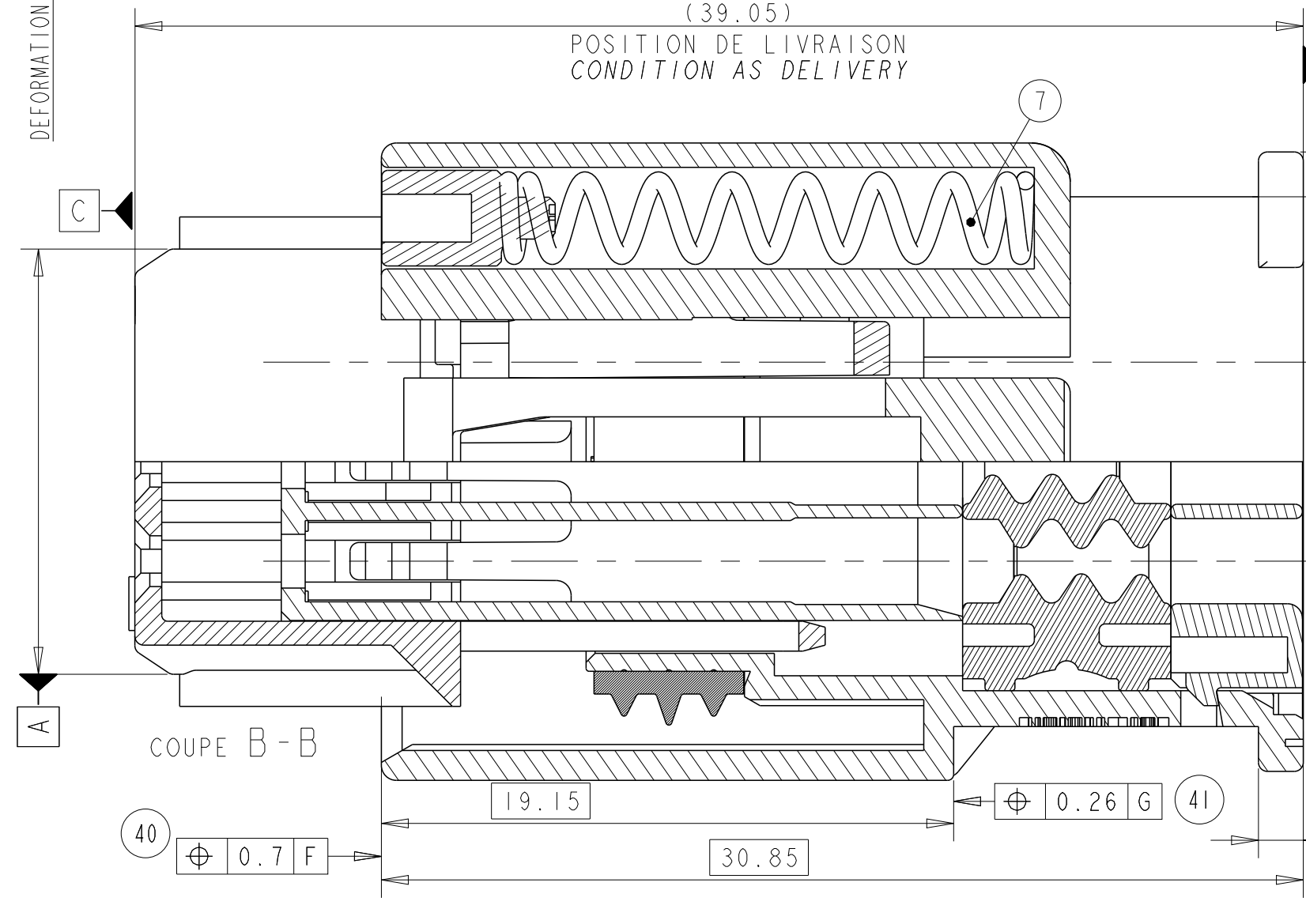
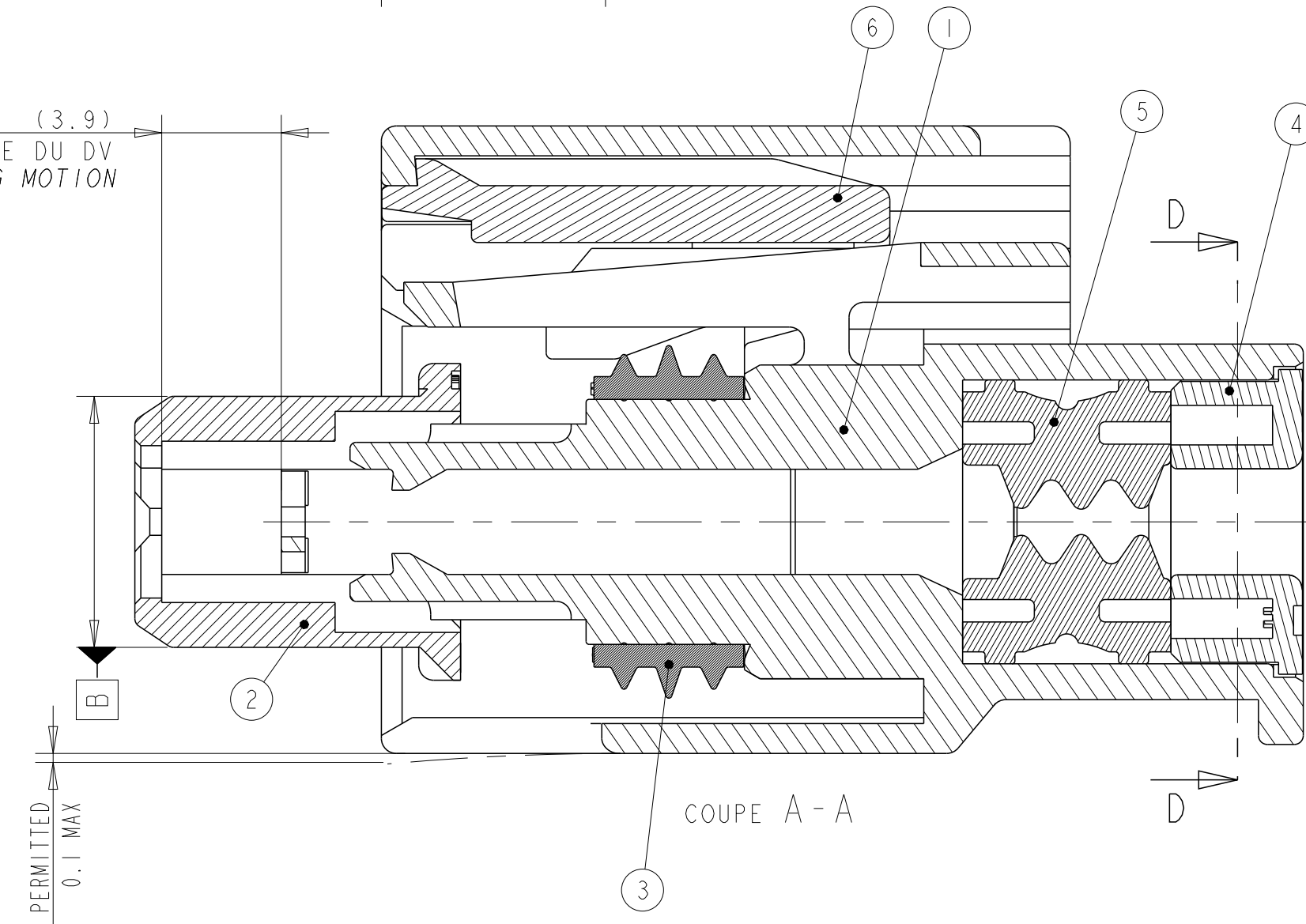
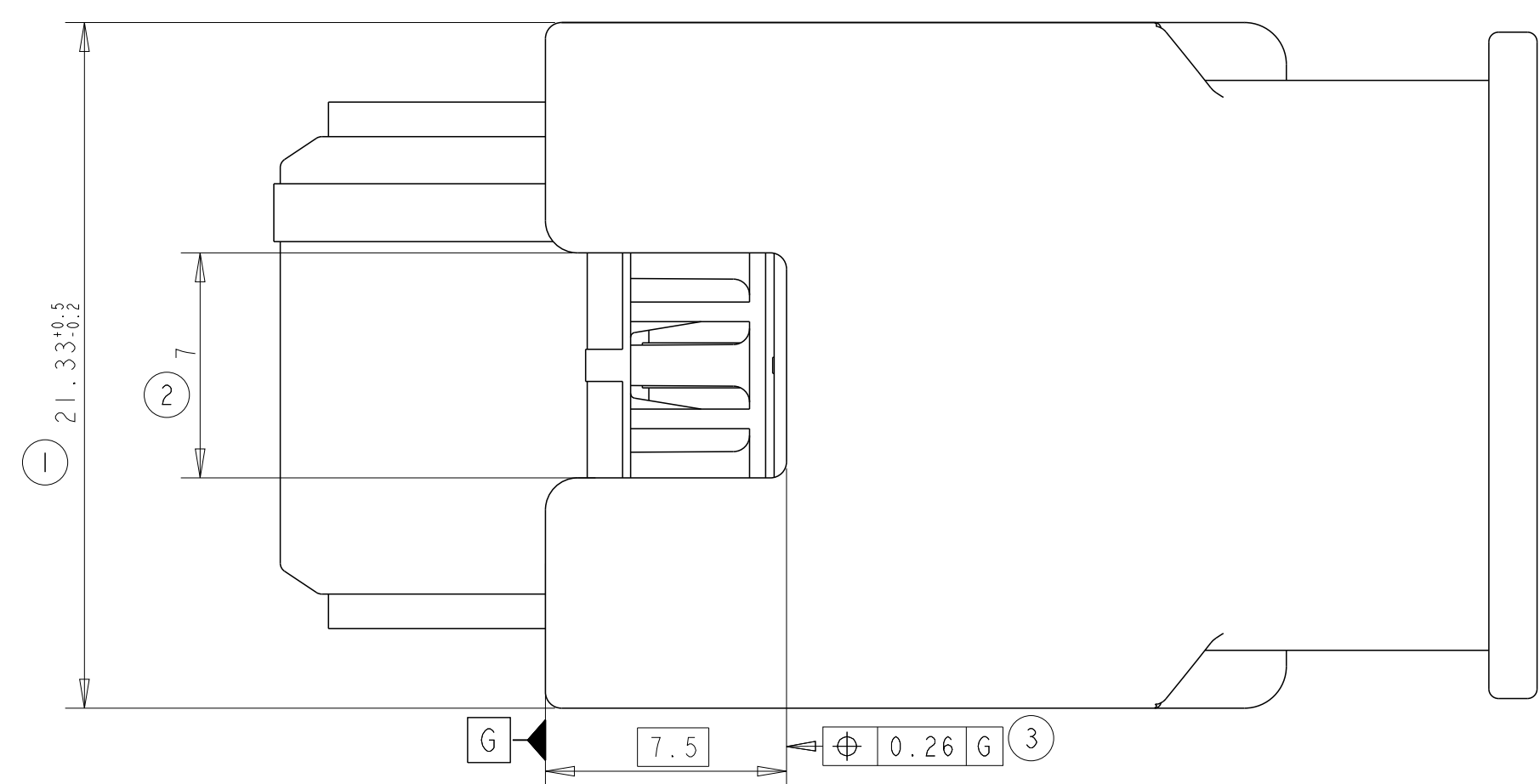
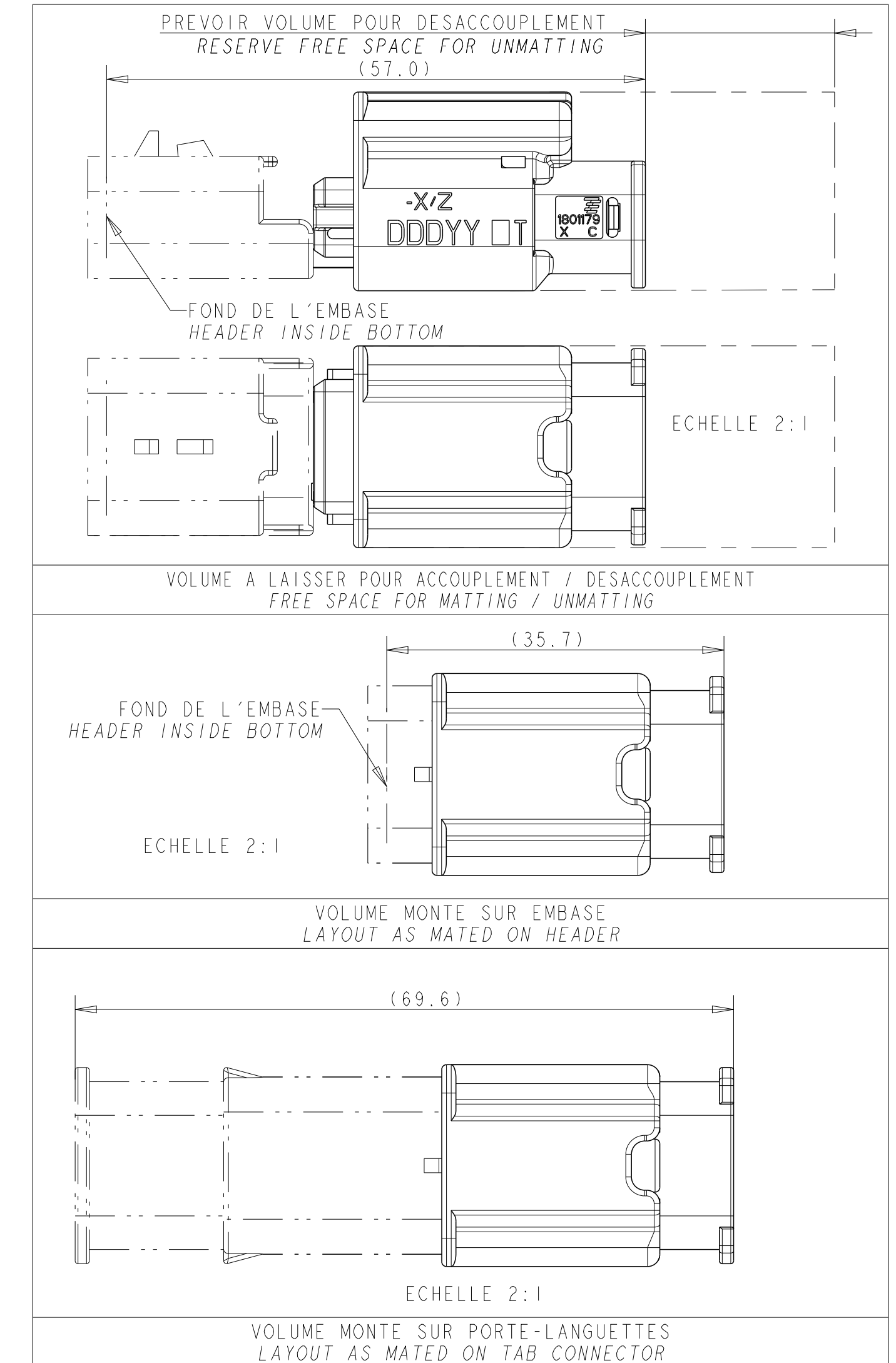
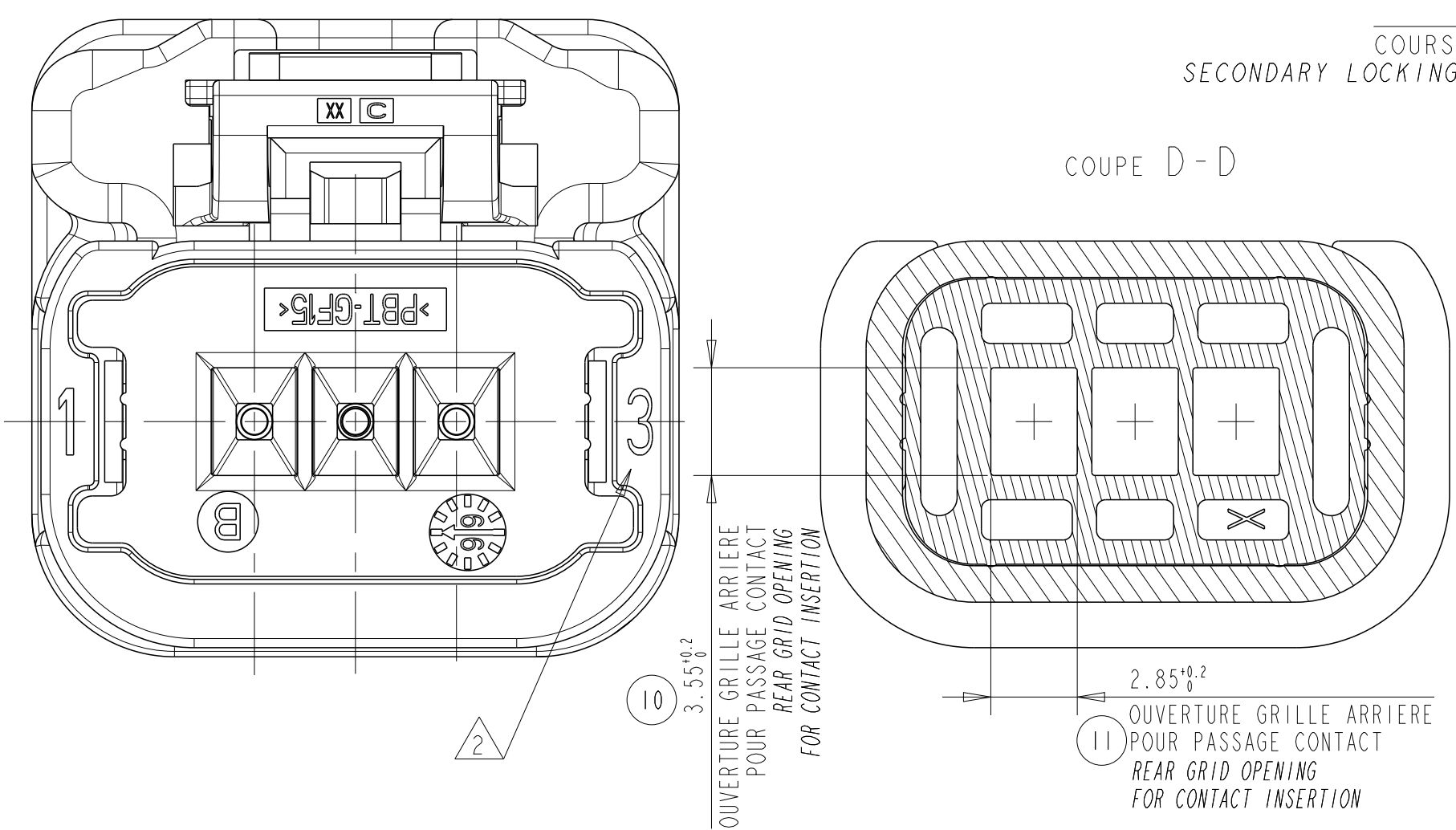


REF. TE TE NO.	INDICE DE REVISION REVISION NUMBER	COULEUR COLOR	TOLERANCE POUR DETROMPAGE: ±0.05 KEYING TOLERANCE
1801179-1	D	NOIR BLACK	ECHELLE 2:1 100 5.65
1801179-2	D	BLEU BLUE	ECHELLE 2:1 110 3.75
1801179-3	D	GRIS GREY	ECHELLE 2:1 120 1.85
1801179-4	D	JAUNE YELLOW	ECHELLE 2:1 130 0.15
1801179-5	D	VERT GREEN	ECHELLE 2:1 140 1.95
1801179-6	D	MARRON BROWN	ECHELLE 2:1 150 3.85
1801179-7	D	BLANC WHITE	ECHELLE 2:1 160 1.15
1801179-8	D	ROUGE RED	ECHELLE 2:1 170 1.15
1801179-9	D	ORANGE ORANGE	ECHELLE 2:1

- NOTES/NOTES:
- 1- 1801179-1 REPRESENTE (COD. NOIR) / AS SHOWN (COD. BLACK)
  - 2 REPERE ALVEOLES / CAVITY MARKING
  - 3 LOGO TE / TE LOGO
  - 4 DATE D'ASSEMBLAGE / ASSEMBLY DATE
  - 5 CODE DU LIEU D'ASSEMBLAGE / ASSEMBLY LOCATION DATE
  - E = EUROPE / EUROPE
  - C = CHINE / CHINA
  - M = MERCOSUR / MERCOSUR
  - 6 NUMERO DE LA MACHINE D'ASSEMBLAGE / NUMBER ASSEMBLY LINE
  - 7 REF TE DE L'ASSEMBLAGE (RACINE) / TE ASSEMBLY NO (RACINE)
  - 8 REF TE DE L'ASSEMBLAGE (SUFFIXE) / TE ASSEMBLY NO (SUFFIX)
  - 9 INDICE DE REVISION PRODUIT / PRODUCT REVISION NUMBER
  - 10- PIECES A UTILISER AVEC VOIR TABLEAU "COMPOSANTS ASSOCIES" / MATED WITH : SEE TABLE "ASSOCIATED PARTS"
  - 11 FORME OPTIONNELLE / OPTIONAL SHAPE



DESCRIPTION / TITLE	COMPOSANTS ASSOCIES / ASSOCIATED PARTS	TE NO / REF. TE
CAPOT FIXE 3 VOIES - SORTIE GAUCHE/DROITE / FIXED COVER 3 WAYS - LEFT/RIGHT EXIT	POUR GAINÉ ANNELEE DE 6mm / FOR CORRUGATED TUBE OF 6mm POUR GAINÉ ANNELEE DE 4.5mm / FOR CORRUGATED TUBE OF 4.5mm	1801467-1 1-1801467-1
CAPOT FIXE 3 VOIES - SORTIE HAUT/BAS / FIXED COVER 3 WAYS - UP/DOWN EXIT	POUR GAINÉ ANNELEE DE 6mm / FOR CORRUGATED TUBE OF 6mm POUR GAINÉ ANNELEE DE 4.5mm / FOR CORRUGATED TUBE OF 4.5mm	1801467-2 1-1801467-2
CAPOT FIXE 3 VOIES - SORTIE AXIALE / FIXED COVER 3 WAYS - EXIT IN LINE	POUR GAINÉ ANNELEE DE 6mm / FOR CORRUGATED TUBE OF 6mm POUR GAINÉ ANNELEE DE 4.5mm / FOR CORRUGATED TUBE OF 4.5mm	1801168-5 1-1801168-5
CAPOT ROTATIF 90 DEG. 3 VOIES / ROTATIVE COVER 90 DEG. 3 WAYS	CAPOT (*) / COVER POUR GAINÉ ANNELEE DE 6mm / FOR CORRUGATED TUBE OF 6mm POUR GAINÉ ANNELEE DE 4.5mm / FOR CORRUGATED TUBE OF 4.5mm	1801468-1 1-1801468-1
SUPPORT ADAPTER	SUPPORT (**) ADAPTER	1801359-1
CLIP 1.5 SENSOR 11 DORE Section 1.4 à 2mm² / RECEPTACLE 1.5 SENSOR 11 GOLD PLATED Section 1.4 to 2mm²		1670328-1
CLIP 1.5 SENSOR 11 DORE Section 0.75 à 1mm² / RECEPTACLE 1.5 SENSOR 11 GOLD PLATED Section 0.75 to 1mm²		1670326-1
CLIP 1.5 SENSOR 11 DORE Section 0.35 à 0.5mm² / RECEPTACLE 1.5 SENSOR 11 GOLD PLATED Section 0.35 to 0.5mm²		1564724-1
OBTURATEUR "MINI-ETANCHE" / "MINI-ETANCHE" PLUGGING PIN		1801177-X
PORTE-LANGUETTES 3 VOIES HP / 3 WAYS TAB CONNECTOR HP		1801177-X

(\*) : POUR LE CAPOT ROTATIF, PRENDRE : SUPPORT + CAPOT / FOR THE ROTATIVE COVER, TAKE: ADAPTER + COVER

COULEUR / COLOR	MATIERE / MATERIAL	DESCRIPTION / TITLE	REP. ITEM
JAUNE / YELLOW	ACIER INOX / STAINLESS STEEL	RESSORT (x2) / SPRING (x2)	7
VERT / GREEN	PA66-GF30 (MATIERE: HB) / (HB MATERIAL)	CHARIOT SPRING-LOCK / SPRING-LOCK SLIDE	6
NOIR / BLACK	SILICONE LUBRIFIE A 5% ; DURETE 30 SHORE A / LUBRICATED SILICON TO 5% ; DURETE 30 SH. SH. A	JOINT GROMMET / GROMMET SEAL	5
VERT / GREEN	PBT-GF15 (MATIERE: HB) / (HB MATERIAL)	GRILLE ARRIERE / REAR GRID	4
VERT / GREEN	SILICONE LUBRIFIE A 4% ; DURETE 50 SHORE A / LUBRICATED SILICON TO 4% ; DURETE 50 SH. SH. A	JOINT INTERFACIAL / INTERFACE SEAL	3
NOIR / BLACK	PBT-GF15 (MATIERE: HB) / (HB MATERIAL)	DOUBLE VERROUILLAGE / COUAGE (VOIR TABLEAU DES REFS) / SECONDARY LOCKING / CODING (SEE TABLE OF PART NO.)	2
NOIR / BLACK	PBT-GF15 (MATIERE: HB) / (HB MATERIAL)	BOITIER PORTE-CLIPS / RECEPTACLE HOUSING	1

THIS DRAWING IS A CONTROLLED DOCUMENT. DWG: JODON 15FEB2008. CHK: X. ROUILLARD 15FEB2008. APVD: X. ROUILLARD 15FEB2008.

DIMENSIONS: mm. TOLERANCES UNLESS OTHERWISE SPECIFIED: 0 PLC ±, 1 PLC ±, 2 PLC ±0.2, 3 PLC ±, 4 PLC ±, ANGLES ±0.2.

MATERIAL: SEE TABLE VOIR TABLEAU. FINISH: SEE TABLE VOIR TABLEAU.

WEIGHT: 8.8g. CUSTOMER DRAWING.

NAME: 3 WAYS RECEPTACLE CONNECTOR SL. PORTE-CLIPS 3 VOIES SL. SYSTEME A RESSORT.

SIZE: A1. CAGE CODE: 100779. DRAWING NO: 1801179. SHEET 1 OF 1. REV F.

TE Connectivity logo.