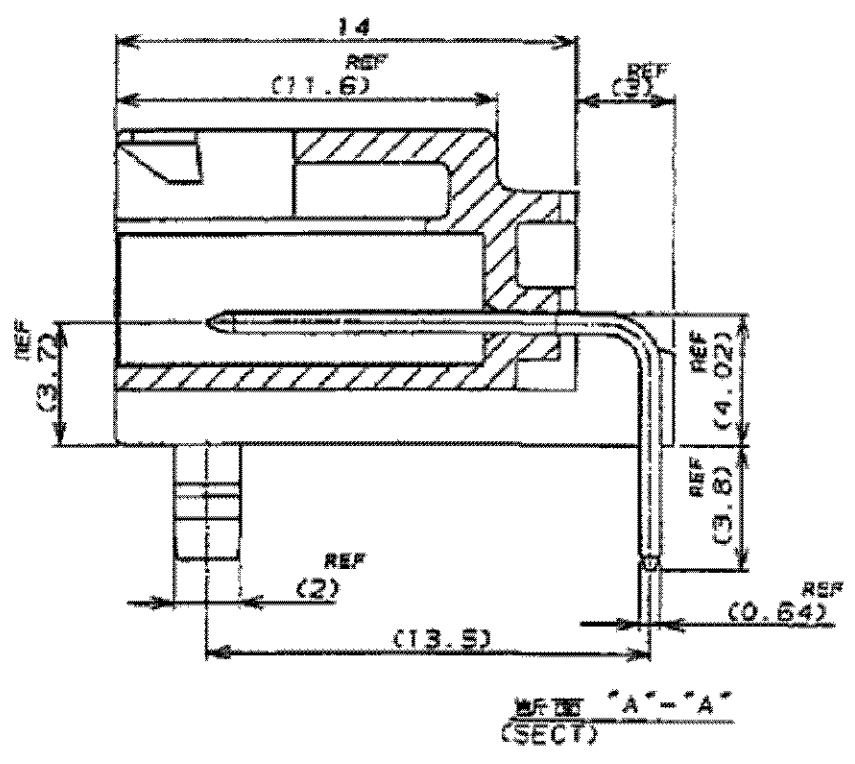
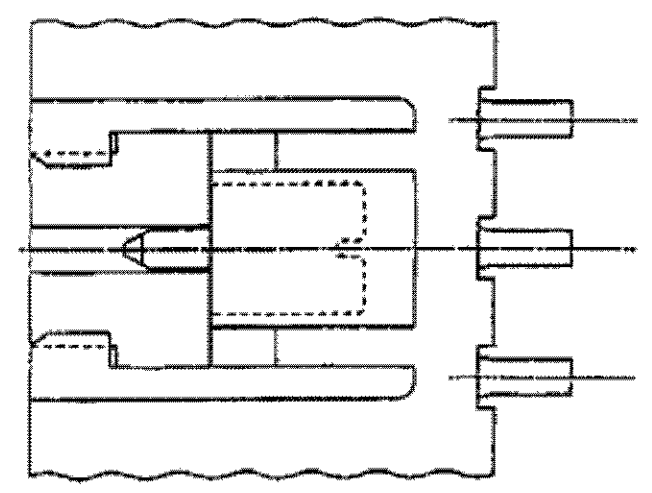
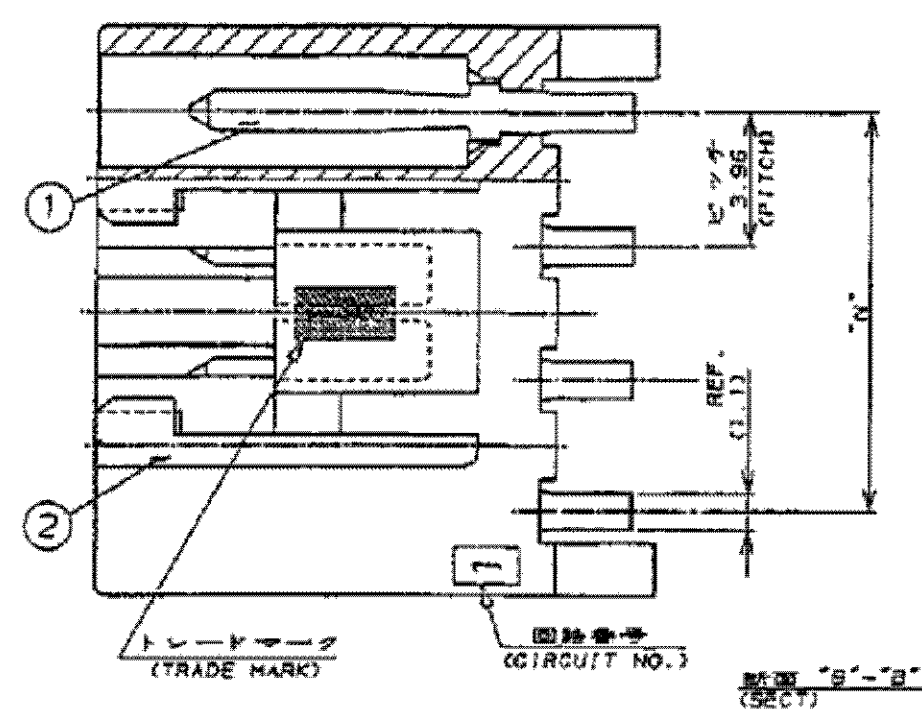
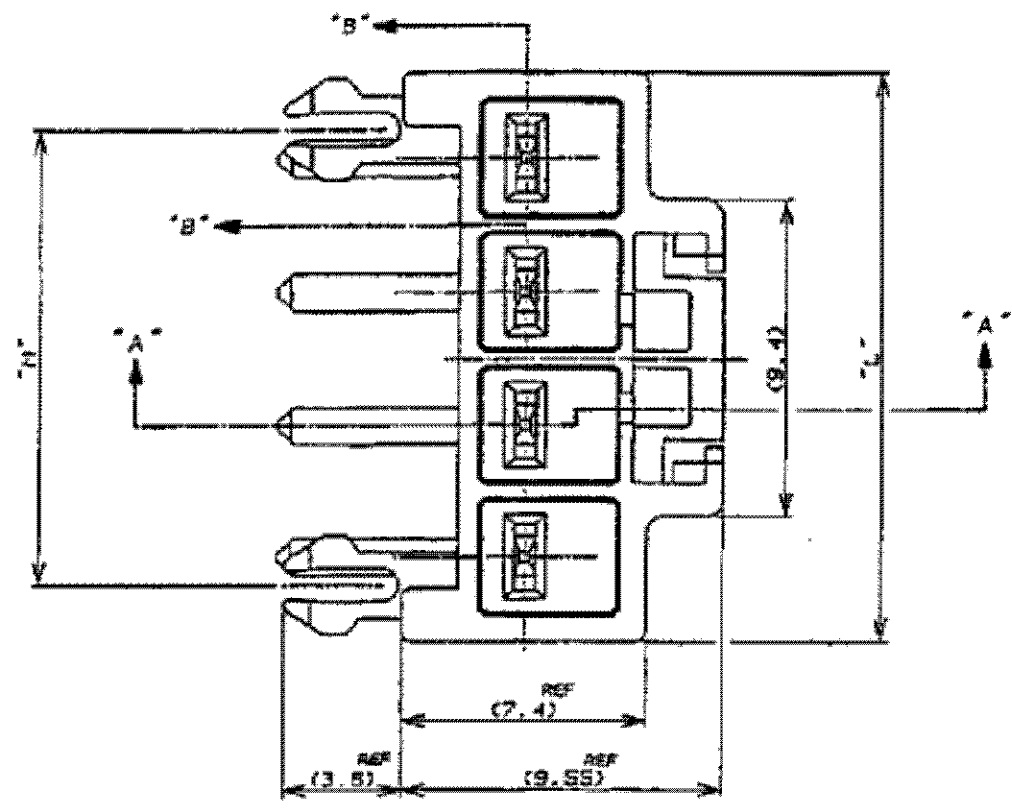


THIS DRAWING IS UNPUBLISHED. RELEASED FOR PUBLICATION
 BY TYCO ELECTRONICS CORPORATION. ALL RIGHTS RESERVED.

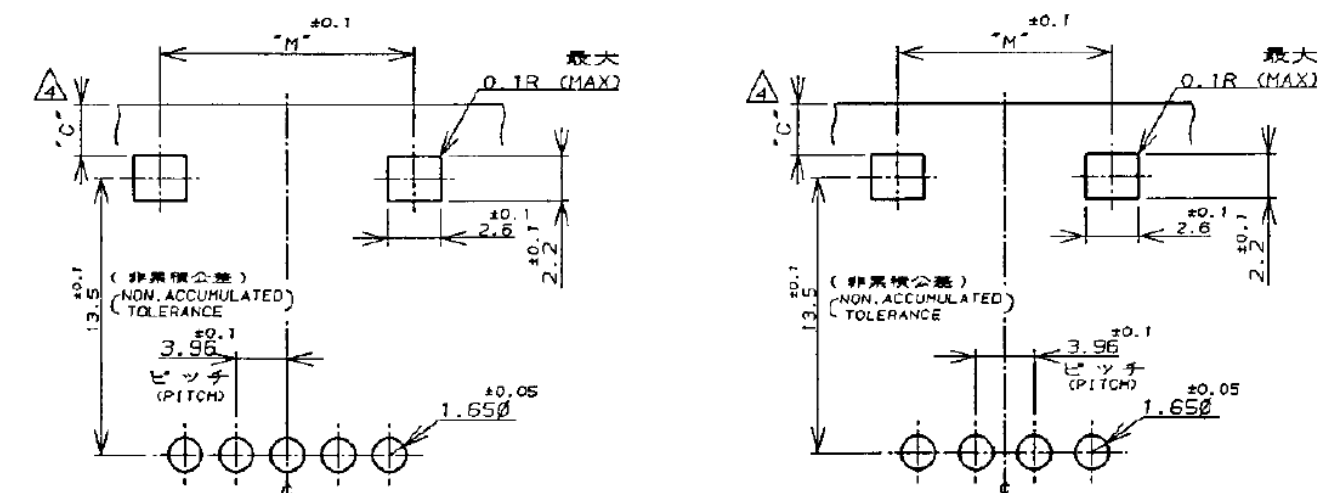
LOC	DIST	REVISIONS					
		P	LTR	DESCRIPTION	DATE	DWN	APVD
J	-	F2		REVISED PER ECR-21-102187	19APR2021	PJ	DZ

- 注:
- 1. 適用製品規格 108-5302
 - △ 5極ハウジングの回路NO.2と4のコンタクト2本抜き仕様
 - 3. かん合相手製品型番
3.96MM ピッチ 2極プラグハウジング: 表2参照
リセコンタクト: 175151-X (AWG#26-#22)
: 175152-X (AWG#20-#16)
 - △ C寸法は基板穴をパンチ加工する場合、
基板にクラックが発生しない様、寸法設定してください。
 - △ 4極ハウジングの回路NO.1と3のコンタクト2本抜き仕様
 - △ 4極ハウジングの回路NO.2と4のコンタクト2本抜き仕様

- NOTES:
- 1. PRODUCT SPEC 108-5302
 - △ CIRCUIT NO.2 AND 4 ARE VACANT OF 5POS HOUSING
 - 3. MATING CONN. P/N
3.96MM PITCH 2POS PLUG HSG: SEE TABLE 2
REC CONTACT: 175151-X (AWG#26-#22)
: 175152-X (AWG#20-#16)
 - △ PLEASE DECIDE THE DIMENSION C SO THAT PREVENT CRACKING OF P.C.B
 - △ CIRCUIT NO.1 AND 3 ARE VACANT OF 4POS HOUSING
 - △ CIRCUIT NO.2 AND 4 ARE VACANT OF 4POS HOUSING
 - △ OBSOLETE PARTS: OBSOLETE CIS STREAMLINING PER D.RENAUD/D.SINISI



178498のみ対象 (APPLIED P/N 178498 ONLY)



型番 178498 対象 (APPLIED P/N 178498) 型番 178497 対象 (APPLIED P/N 178497)
 178499 対象 (APPLIED P/N 178499)

表1 TABLE 1

NO.	名称 (NAME)	材料 (MATERIAL)
①	タブ (TAB)	黄銅 錫めっき (BRASS TIN PLATED)
②	ヘッダーハウジング (HEADER HOUSING)	6/6ナイロンガラス強化 (6/6 NYLON GLASS FILLED)

表2 TABLE 2

ヘッダーアセンブリ P/N (HDR ASS'Y P/N)	極数 (POS.)	適合相手 P/N (MATING CONN. P/N)
178497	4	178481
178498	5	178482
178499	6	178483

基板レイアウト寸法 (P.C.B LAYOUT)
 適用基板厚 1.6 (APPLICABLE P.C.B THK : 1.6)

寸法 (DIMENSION)	11.88	13.58	16.98	19.80	21.50	24.90	15.84	17.54	20.94	11.88	13.58	16.98	"N" "M" "L" 寸法 (DIMENSION)	コネクタピッチ及び極数 (CONN.PITCH AND POS)	ハウジング色調 (COLOR)	型番 (P/N)	
3.96MMピッチ4極 (3.96MM PITCH 4POS)	↑	↑	↑	↑	↑	↑	↑	↑	↑	↑	↑	↑	↑	↑	↑	↑	0-178497-1
7.92MMピッチ2極 (7.92MM PITCH 2POS)	↑	↑	↑	↑	↑	↑	↑	↑	↑	↑	↑	↑	↑	↑	↑	↑	5-178497-6 6-178497-2 5-178497-1
3.96MMピッチ6極 (3.96MM PITCH 6POS)	↑	↑	↑	↑	↑	↑	↑	↑	↑	↑	↑	↑	↑	↑	↑	↑	178499-9 178499-6 178499-4 178499-2
7.92MMピッチ3極 (7.92MM PITCH 3POS)	↑	↑	↑	↑	↑	↑	↑	↑	↑	↑	↑	↑	↑	↑	↑	↑	178499-1 3-178498-9 3-178498-6 3-178498-4 3-178498-2
3.96MMピッチ5極 (3.96MM PITCH 5POS)	↑	↑	↑	↑	↑	↑	↑	↑	↑	↑	↑	↑	↑	↑	↑	↑	3-178498-1 178498-9 178498-6 178498-4 178498-2
3.96MMピッチ4極 (3.96MM PITCH 4POS)	↑	↑	↑	↑	↑	↑	↑	↑	↑	↑	↑	↑	↑	↑	↑	↑	178498-1 178498-9 178497-6 178497-4 178497-2
コネクタピッチ及び極数 (CONN.PITCH AND POS)																	

THIS DRAWING IS A CONTROLLED DOCUMENT.

DWN Y.NARISAWA 08MAR'91
 CHK N.ONOUE 13MAR'91
 APVD Y.FUJITA 13MAR'91

PRODUCT SPEC 製品規格
 APPLICATION SPEC 取付適用規格

SEE NOTE 1

WEIGHT

MATERIAL 材料 SEE TABLE 1
 FINISH 仕上 SEE TABLE 1

CUSTOMER DRAWING

SCALE 尺度 1:1 SHEET 1 OF 1 REV F2

TE Connectivity

AMP UP CONN. 3.96MM PITCH 4-6POS
 TAB HEADER ASSY (H TYPE)

SIZE A2 CAGE CODE 00779 DRAWING NO. 178497

RESTRICTED TO