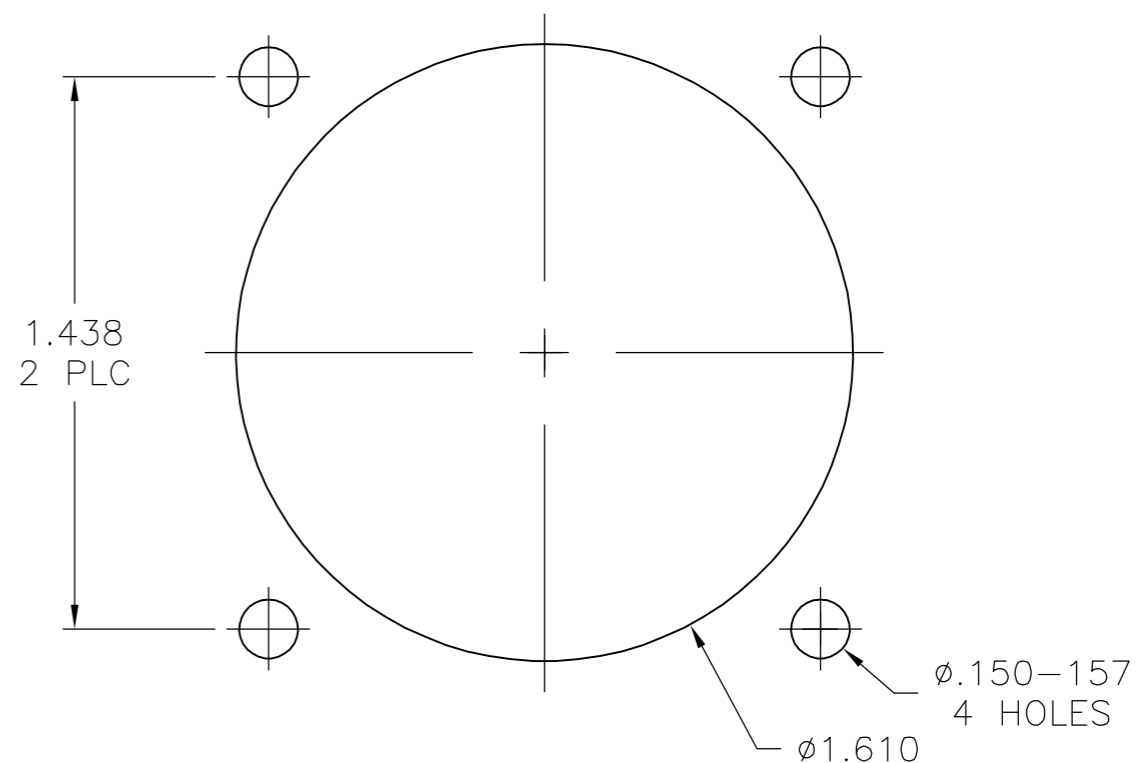
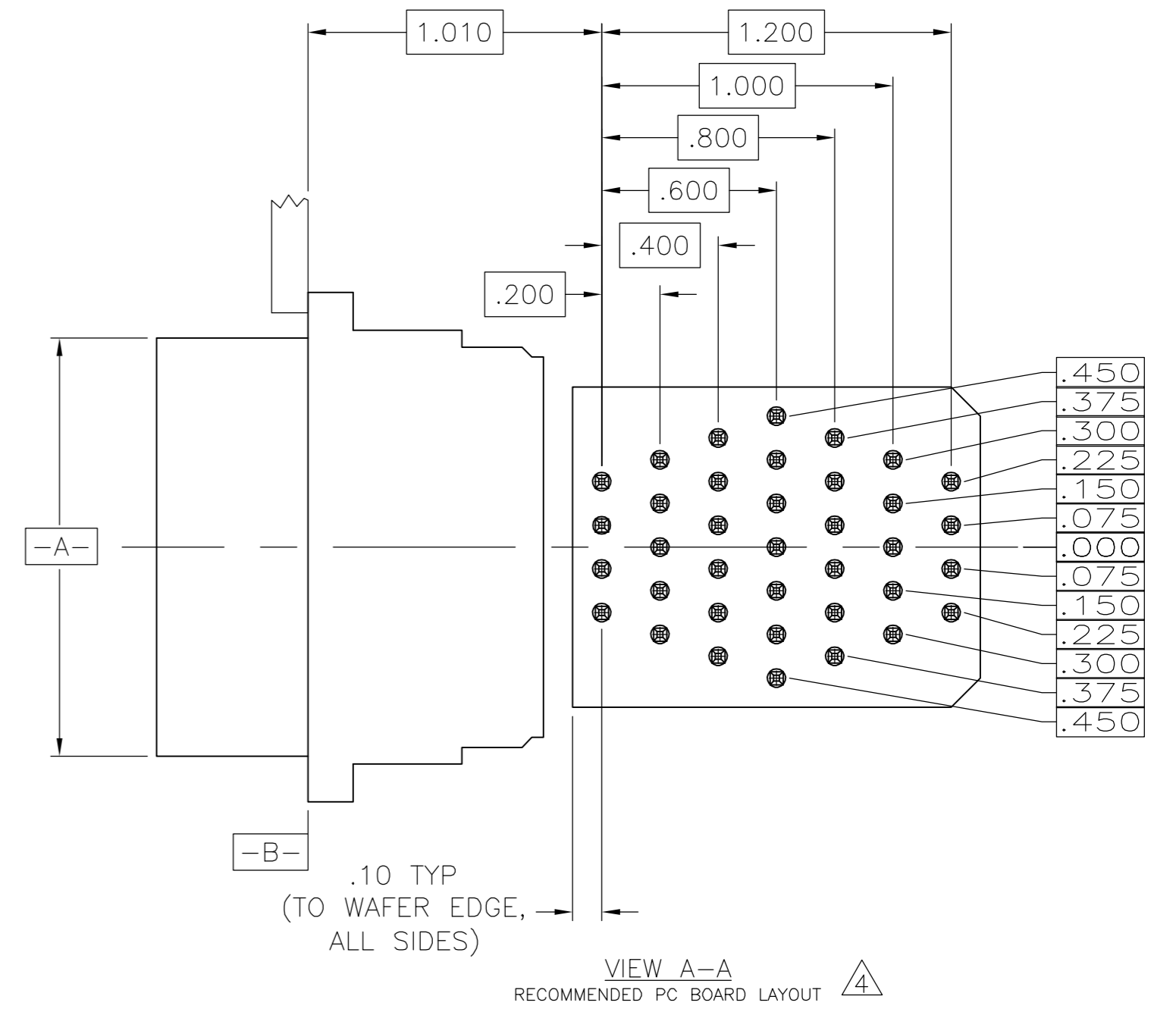
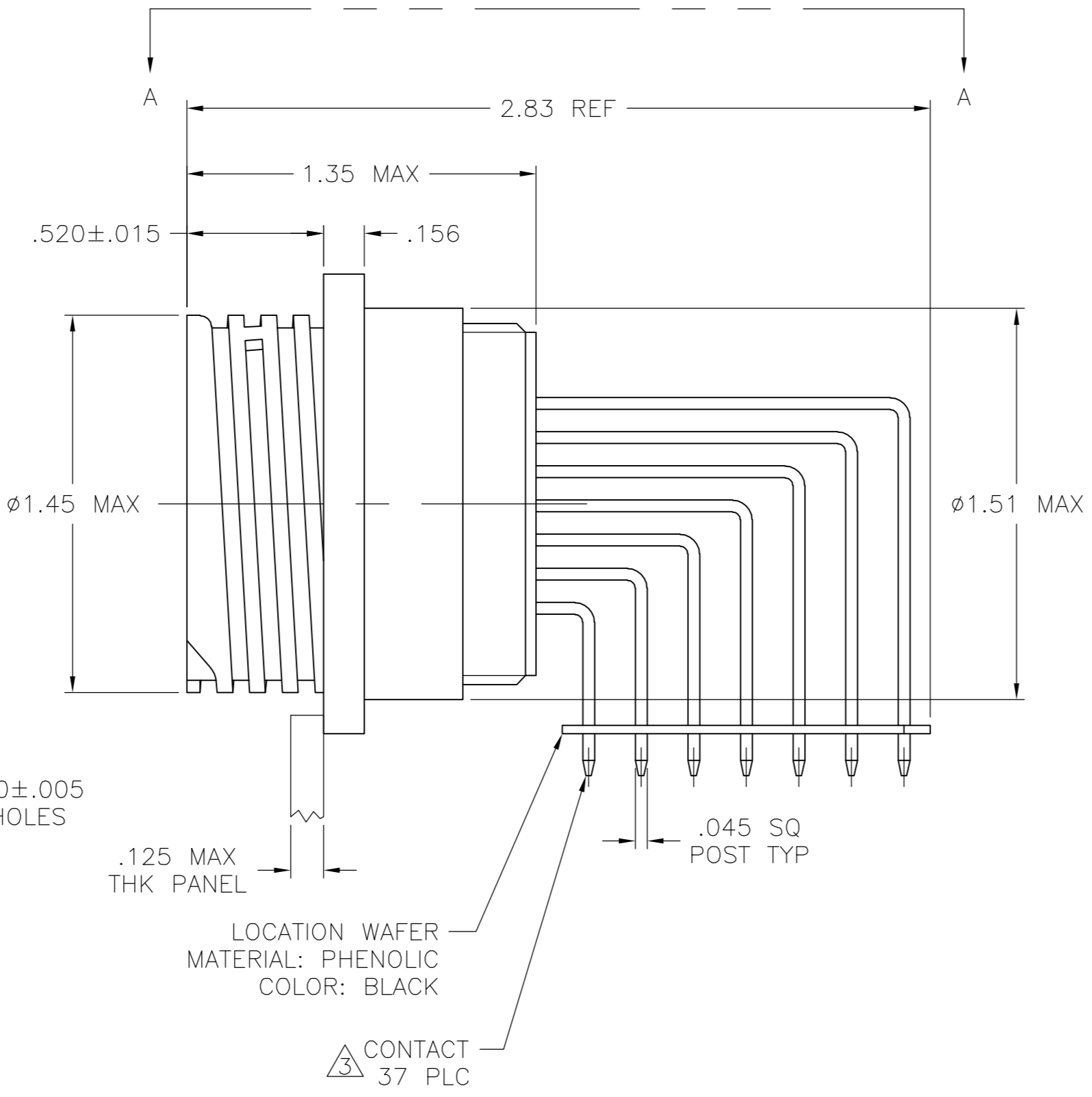
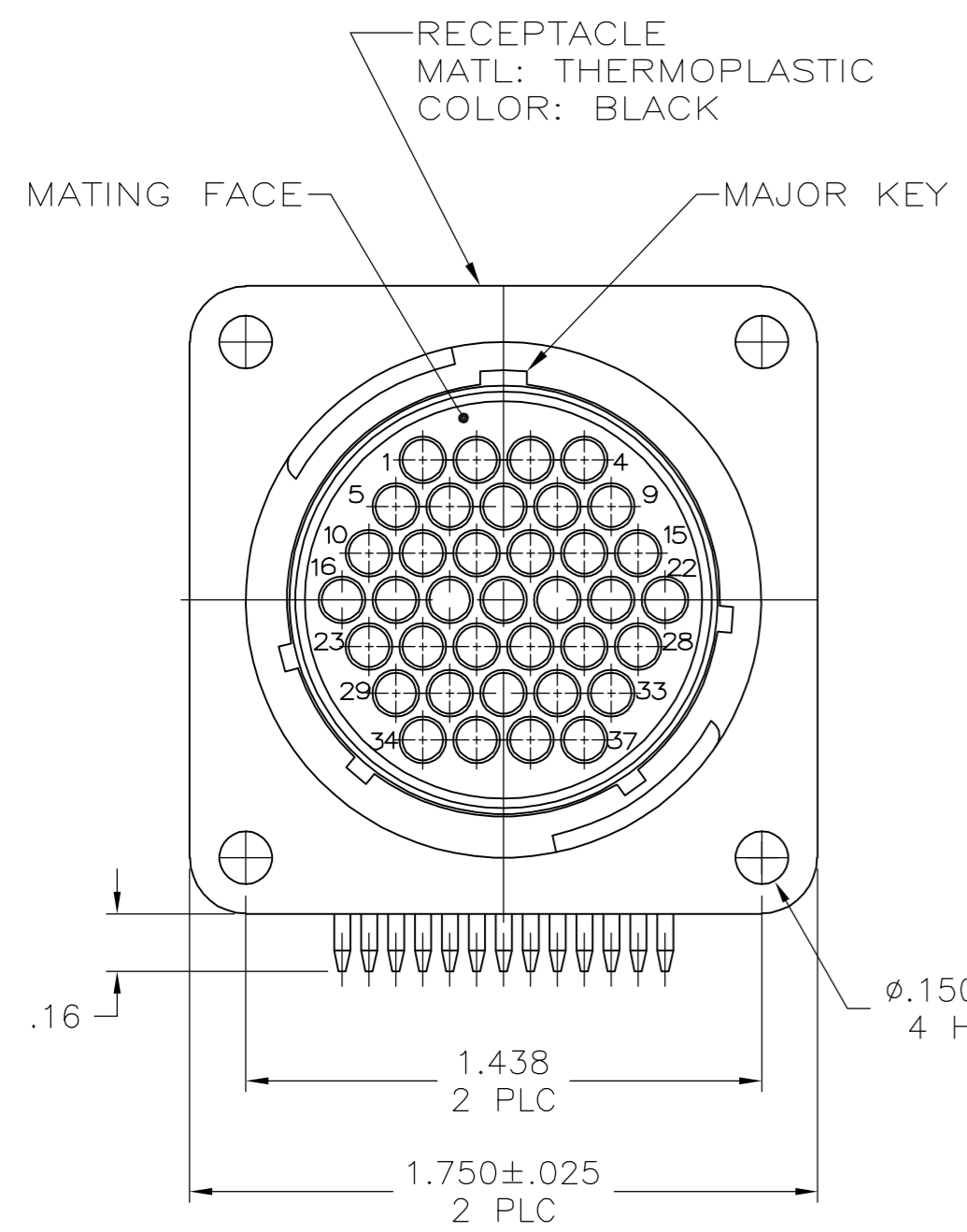


THIS DRAWING IS UNPUBLISHED. RELEASED FOR PUBLICATION  
 © COPYRIGHT BY TYCO ELECTRONICS CORPORATION. ALL RIGHTS RESERVED.

LOC		DIST		REVISIONS			
P	LTR	DESCRIPTION	DATE	DWN	APVD		
FT	0						
	A	-	10/4/06	SS	SH		



- CONTACT CAVITIES IDENTIFIED BY CHARACTERS ON FRONT AND REAR FACES OF CONNECTOR.
- #6 FASTNER RECOMMENDED FOR MOUNTING.
- CONTACT BODY: .000030 MIN GOLD FOR A LENGTH OF .250 MIN FROM MATING END, WITH REMAINDER TO BE GOLD FLASH, BOTH OVER .000050 MIN NICKEL.  
CONTACT POST: .000100 MIN TIN OVER MIN COPPER.
- PC BOARD HOLE PATTERN IS DEFINED RELATIVE TO CONNECTOR C.L. AND PANEL MOUNTING FACE INDICATED.

THIS DRAWING IS A CONTROLLED DOCUMENT.		DWN	S SCHLEGEL	10/4/06	 Tyco Electronics Corporation Harrisburg, PA 17105-3608	1776906-1		
DIMENSIONS: INCHES		CHK	S HEADER	10/4/06		PART NUMBER		
TOLERANCES UNLESS OTHERWISE SPECIFIED:		APVD	S HEADER	10/4/06		NAME		
0 PLC ± - 1 PLC ± - 2 PLC ± .03 3 PLC ± .010 4 PLC ± - ANGLES ± - FINISH -		PRODUCT SPEC		RECEPTACLE ASSEMBLY, POSTED, RT ANGLE, STD SEX, SIZE 23-37, SERIES 1, CPC				
MATERIAL		APPLICATION SPEC		SIZE		CAGE CODE	DRAWING NO	RESTRICTED TO
		WEIGHT		A2		00779	C=1776906	
		CUSTOMER DRAWING		SCALE		2:1	SHEET	1 of 1
							REV	A

1776906