

THIS DRAWING IS UNPUBLISHED.

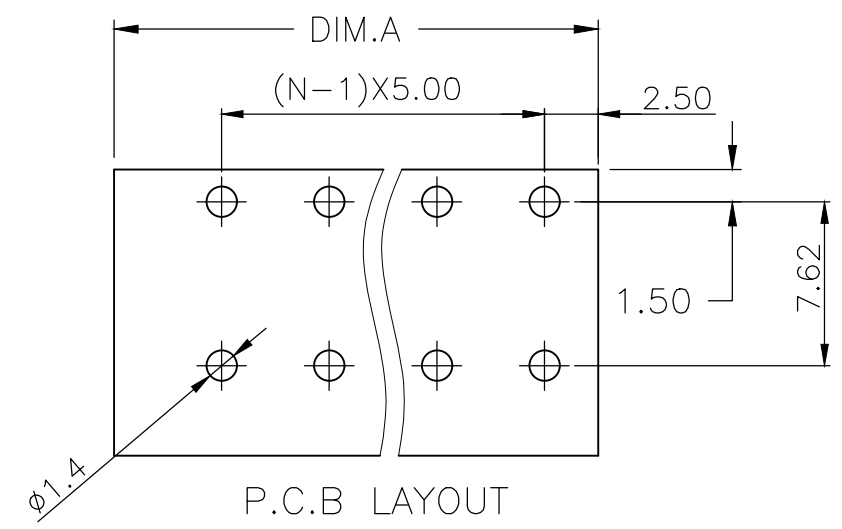
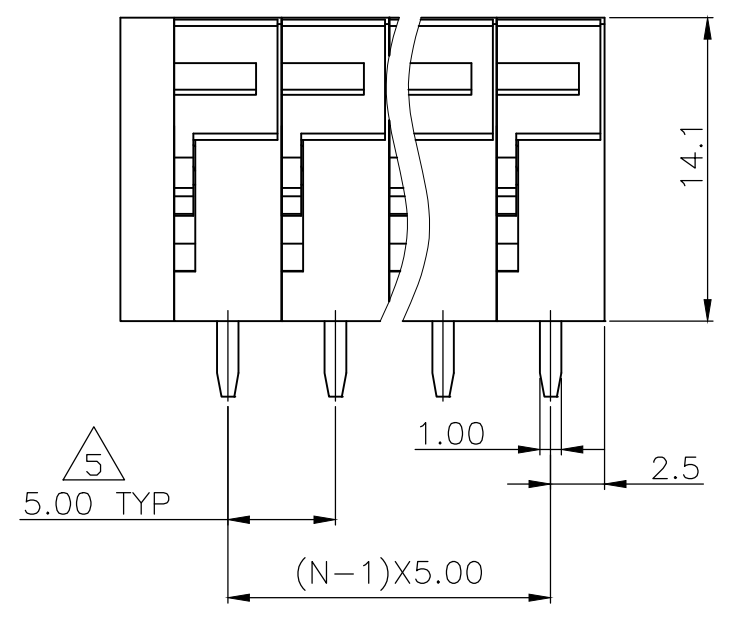
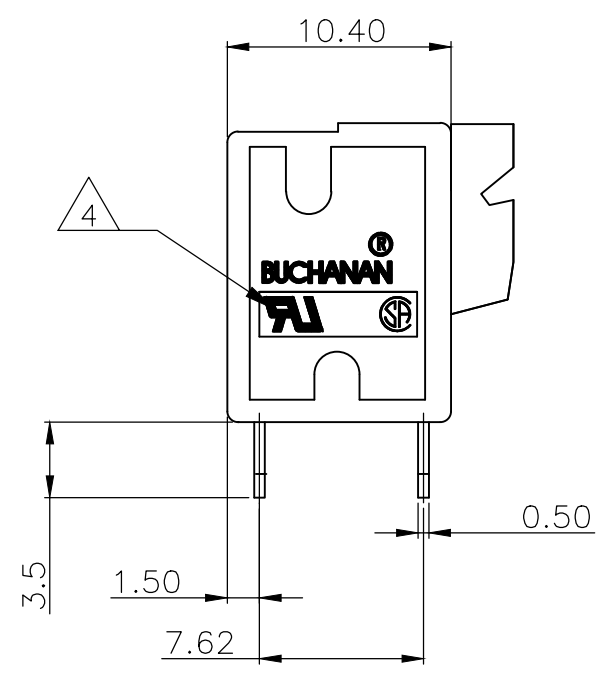
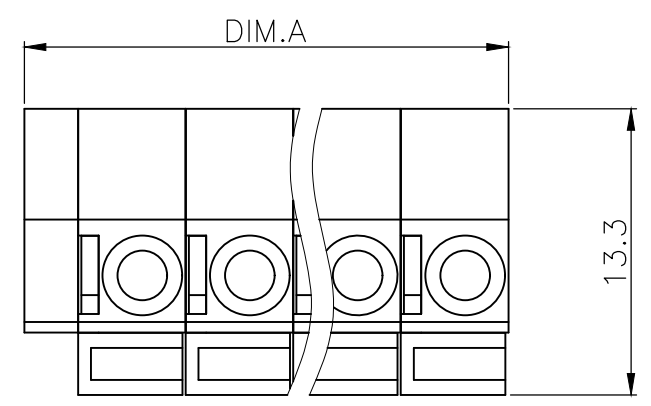
RELEASED FOR PUBLICATION

ALL RIGHTS RESERVED.

© COPYRIGHT - By -


REVISIONS

P	LTR	DESCRIPTION	DATE	DWN	APVD
	R	DESIGN IMPROVEMENT	22JUL2019	RK	PS



N=NUMBER OF CONTACTS

62.50	12	1-1776259-2
57.50	11	1-1776259-1
52.50	10	1-1776259-0
47.50	9	1776259-9
42.50	8	1776259-8
37.50	7	1776259-7
32.50	6	1776259-6
27.50	5	1776259-5
22.50	4	1776259-4
17.50	3	1776259-3
12.50	2	1776259-2
DIM.A	NO. OF POS.	TE PN

THIS DRAWING IS A CONTROLLED DOCUMENT.		DWN S SCHLEGEL 5/6/05	 TE Connectivity Ltd.	
DIMENSIONS: mm		CHK C RICHARD 5/6/05		
TOLERANCES UNLESS OTHERWISE SPECIFIED:		APVD C RICHARD 5/6/05		
0 PLC ± - 1 PLC ± 0.3 2 PLC ± 0.2 3 PLC ± - 4 PLC ± - ANGLES ± -		NAME		
MATERIAL -		FINISH -	PRODUCT SPEC - APPLICATION SPEC - WEIGHT -	
			SIZE A3	CAGE CODE 00779
			DRAWING NO C-1776259	RESTRICTED TO -
			CUSTOMER DRAWING	SCALE NTS SHEET 1 OF 2 REV R

THIS DRAWING IS UNPUBLISHED. RELEASED FOR PUBLICATION
 © COPYRIGHT - By - ALL RIGHTS RESERVED.

REVISIONS					
P	LTR	DESCRIPTION	DATE	DWN	APVD
-	-	SEE SHEET 1	-	-	-


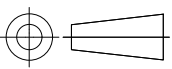
1. MATERIAL:
 HOUSING: POLYAMIDE 66, UL94V-0, COLOR: GREEN.
 CONTACT: COPPER ALLOY, TIN PLATED.
 WIRE GUARD: STAINLESS STEEL.
2. ELECTRICAL:
 MAX. CURRENT RATING: 10 A.
 CONTACT RESISTANCE: 20mΩ MAX.
 INSULATION RESISTANCE: 500MΩ/500VAC.
 DIELECTRIC WITHSTANDING VOLTAGE: 2000VAC (MIN).
 OPERATING VOLTAGE: 300VAC.
 WIRE RANGE: 14-22AWG.
3. MECHANICAL:
 WIRE RETENTION FORCE: 1.2 KG (MIN).
 OPERATING TEMPERATURE: -55°C TO +105°C.

APPLICATION AND FEATURES:

- THIS SCREWLESS TERMINALS ARE SUITABLE FOR BOTH SOLID AND STRANDED CONDUCTORS.
- A SPRING MADE OF STAINLESS STEEL GUARANTEES FOR PERMANENT AND SAFE CONTACT.
- THIS IS OPERATED BY PUSHING A SCREW DRIVER ON THE LEVER. THIS LEVER IS FULLY INTEGRATED INTO THE BODY.

△4 BUCHANAN LOGO, UL & CSA LOGO'S LOCATED APPROX. AS SHOWN.
 TEXT MUST BE LEGIBLE.

△5 NON CUMULATIVE

THIS DRAWING IS A CONTROLLED DOCUMENT.		DWN	S	SCHLEGEL	5/6/05	 TE Connectivity Ltd.					
DIMENSIONS: mm		CHK	C	RICHARD	5/6/05					NAME	
		TOLERANCES UNLESS OTHERWISE SPECIFIED:		APVD		C RICHARD					
0 PLC ± -		1 PLC ± 0.3		PRODUCT SPEC		-					
2 PLC ± 0.25		3 PLC ± -		APPLICATION SPEC		-					
4 PLC ± -		ANGLES ± -		WEIGHT		-					
MATERIAL		FINISH		-		SIZE	CAGE CODE	DRAWING NO	RESTRICTED TO		
-		-		-		A3	00779	C-1776259	-		
CUSTOMER DRAWING						SCALE	NTS	SHEET	2 OF 2	REV	R