

| REVISIONS | | | | | |
|-----------|-----|---------------------------|-----------|-----|------|
| P | LTR | DESCRIPTION | DATE | DWN | APVD |
| | A2 | REVISED PER ECR-22-159254 | 02JAN2023 | RB | SM |

- ① MATERIAL: .020 COPPER ALLOY.
- 2. FINISH: BRIGHT TIN PLATE.
- ③ PRELIMINARY PART NUMBER.

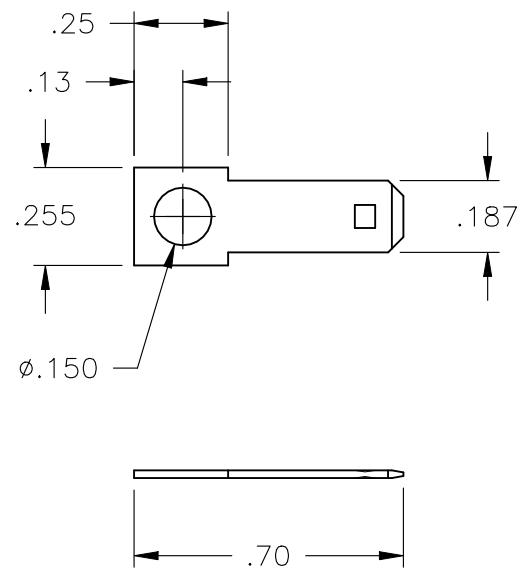


FIGURE 1

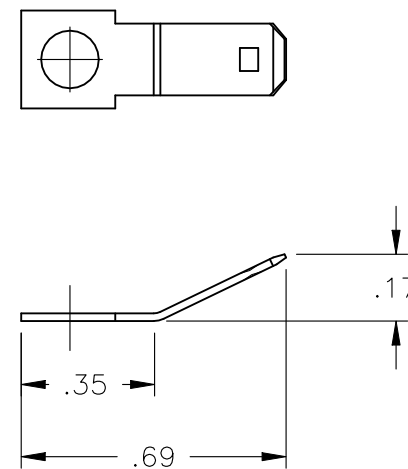


FIGURE 2

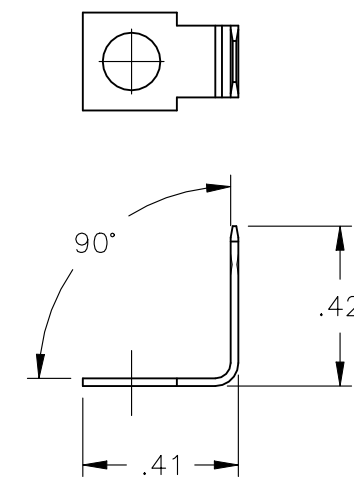


FIGURE 3

| | | | | |
|----------|---|----------|-------------|-------------|
| OBSOLETE | ③ | FIGURE 3 | QC4-90-3 | 1776231-2 |
| | | FIGURE 1 | QC4-180-3 | 5-1437644-7 |
| | | FIGURE 2 | QC4-45-3 | 1776231-1 |
| | | FIGURE | CATALOG NO. | PART NO. |

| | | | | | | | |
|--|--|------------------|------------|------------|---------------------------------|-------|--------|
| THIS DRAWING IS A CONTROLLED DOCUMENT. | | DWN | S SCHLEGEL | 17SEP04 | STE TE Connectivity | | |
| | | CHK | S YODER | 9/17/04 | | | |
| | | APVD | S YODER | 9/17/04 | NAME | | |
| | | PRODUCT SPEC | | | .187 QC TAB, .325 BARRIER STRIP | | |
| | | APPLICATION SPEC | | | - | | |
| | | SIZE | CAGE CODE | DRAWING NO | RESTRICTED TO | | |
| | | A3 00779 | | C-1776231 | - | | |
| | | CUSTOMER DRAWING | | SCALE | NTS | SHEET | 1 OF 1 |
| | | | | | | | REV A2 |

| | | | |
|-----------------------|--|---|--------|
| DIMENSIONS: INCHES | | TOLERANCES UNLESS OTHERWISE SPECIFIED: | |
| | | 0 PLC | ± - |
| | | 1 PLC | ± - |
| | | 2 PLC | ± .01 |
| | | 3 PLC | ± .005 |
| | | 4 PLC | ± - |
| MATERIAL | | FINISH | |
| - | | - | |