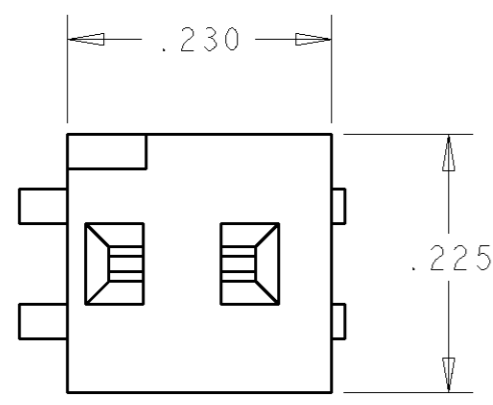
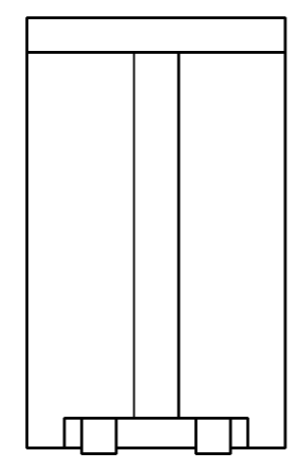
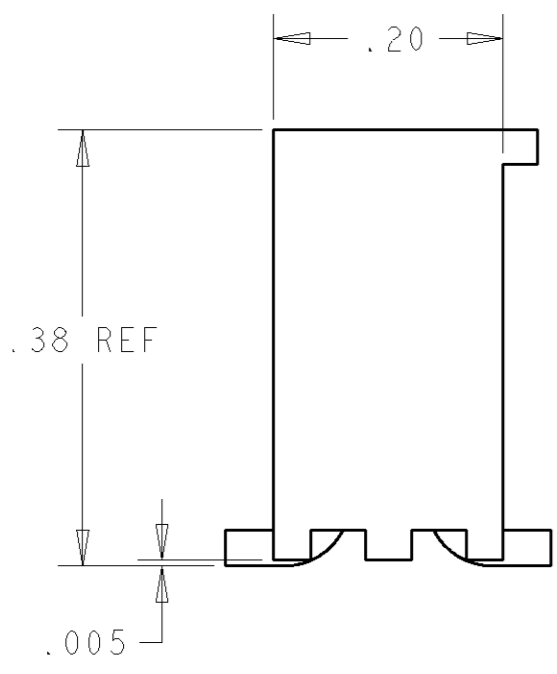
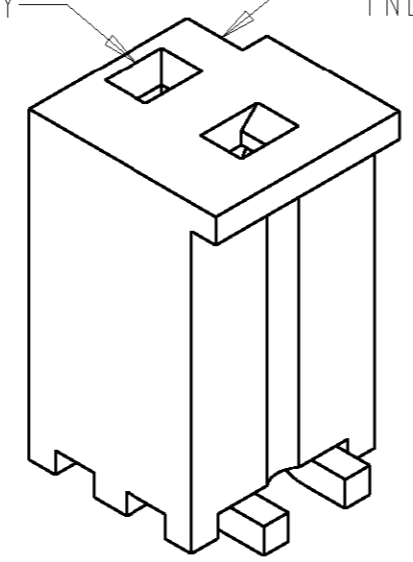


THIS DRAWING IS UNPUBLISHED. RELEASED FOR PUBLICATION 20
 © COPYRIGHT 20 BY TYCO ELECTRONICS CORPORATION. ALL RIGHTS RESERVED.

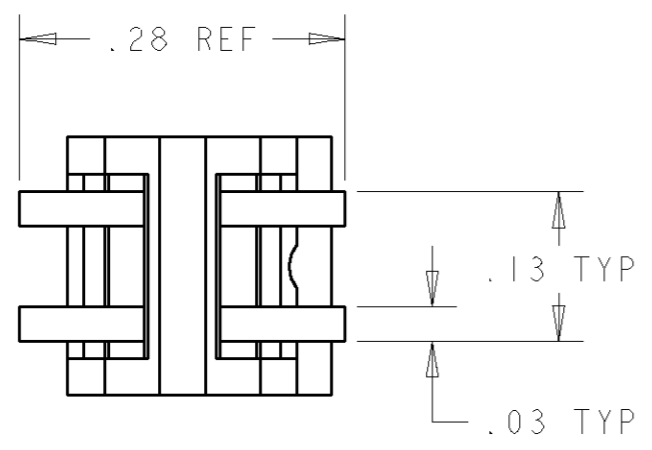
LOC	DIST	REVISIONS					
FT	0	P	LTR	DESCRIPTION	DATE	DWN	APVD
			0	RELEASED EC 0G3B-0834-04	22OCT2004	SW	CR



WIRE ENTRY POLARITY INDICATOR



- MATERIALS:
 HOUSING: THERMOPLASTIC, PPS. COLOR: BLACK.
 CONTACT: PHOSPHOR BRONZE, TIN PLATED OVER NICKEL.
- MECHANICAL PERFORMANCE:
 WIRE ACCOMMODATION: #24 AWG, TINNED TOP COATED STRANDED.
 STRIP LENGTH: 0.22 MIN - 0.28 MAX
 MAX INSULATION DIA: 1.7MM
- ELECTRICAL PERFORMANCE:
 VOLTAGE RATING: 250V
 CURRENT RATING: 3A
 DIELECTRIC STRENGTH: 1500 VAC



SMC2402	TAPE AND REEL IN LOTS OF 500 PIECES	1776226-1
CATALOG NUMBER	PACKAGE TYPE	PART NUMBER

THIS DRAWING IS A CONTROLLED DOCUMENT FOR TYCO ELECTRONICS CORPORATION IT IS SUBJECT TO CHANGE AND THE CONTROLLING ENGINEERING ORGANIZATION SHOULD BE CONTACTED FOR THE LATEST REVISION.		DWN S. WELDON 22OCT2004	BUCHANAN Tyco Electronics Harrisburg, PA 17105-3608
DIMENSIONS: INCHES		CHK C. RICHARD 22OCT2004	
TOLERANCES UNLESS OTHERWISE SPECIFIED:		APVD C. RICHARD 22OCT2004	NAME ASSEMBLY, SMC2402
0 PLC ±-		PRODUCT SPEC -	SIZE A3
1 PLC ±0.1		APPLICATION SPEC -	CAGE CODE 00779
2 PLC ±0.01		WEIGHT -	DRAWING NO C-1776226
3 PLC ±0.005		CUSTOMER DRAWING	RESTRICTED TO -
4 PLC ±0.0002		SCALE 6:1	SHEET 1 OF 1
ANGLES ±-			REV 0
MATERIAL -	FINISH -		