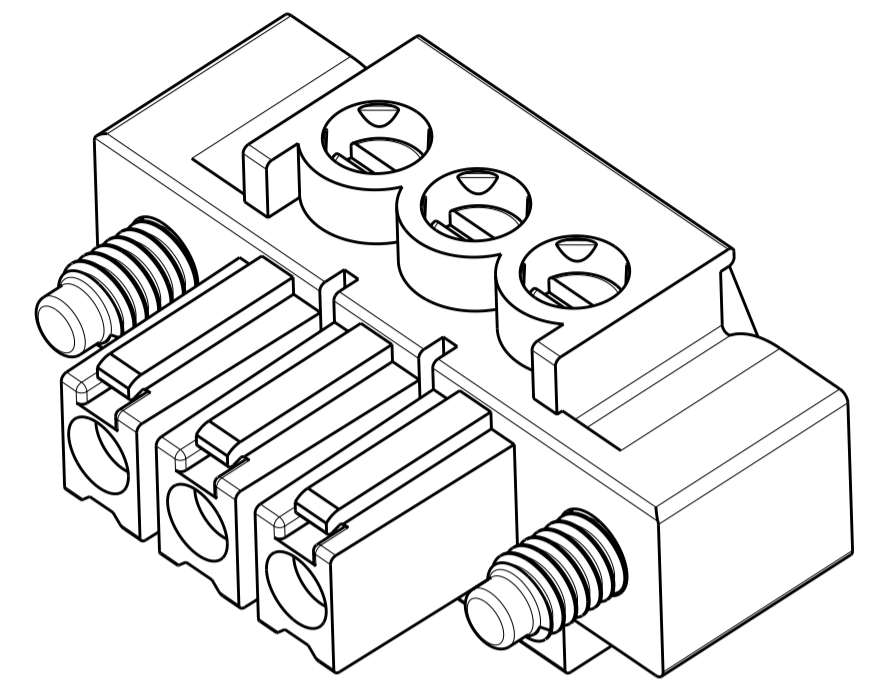
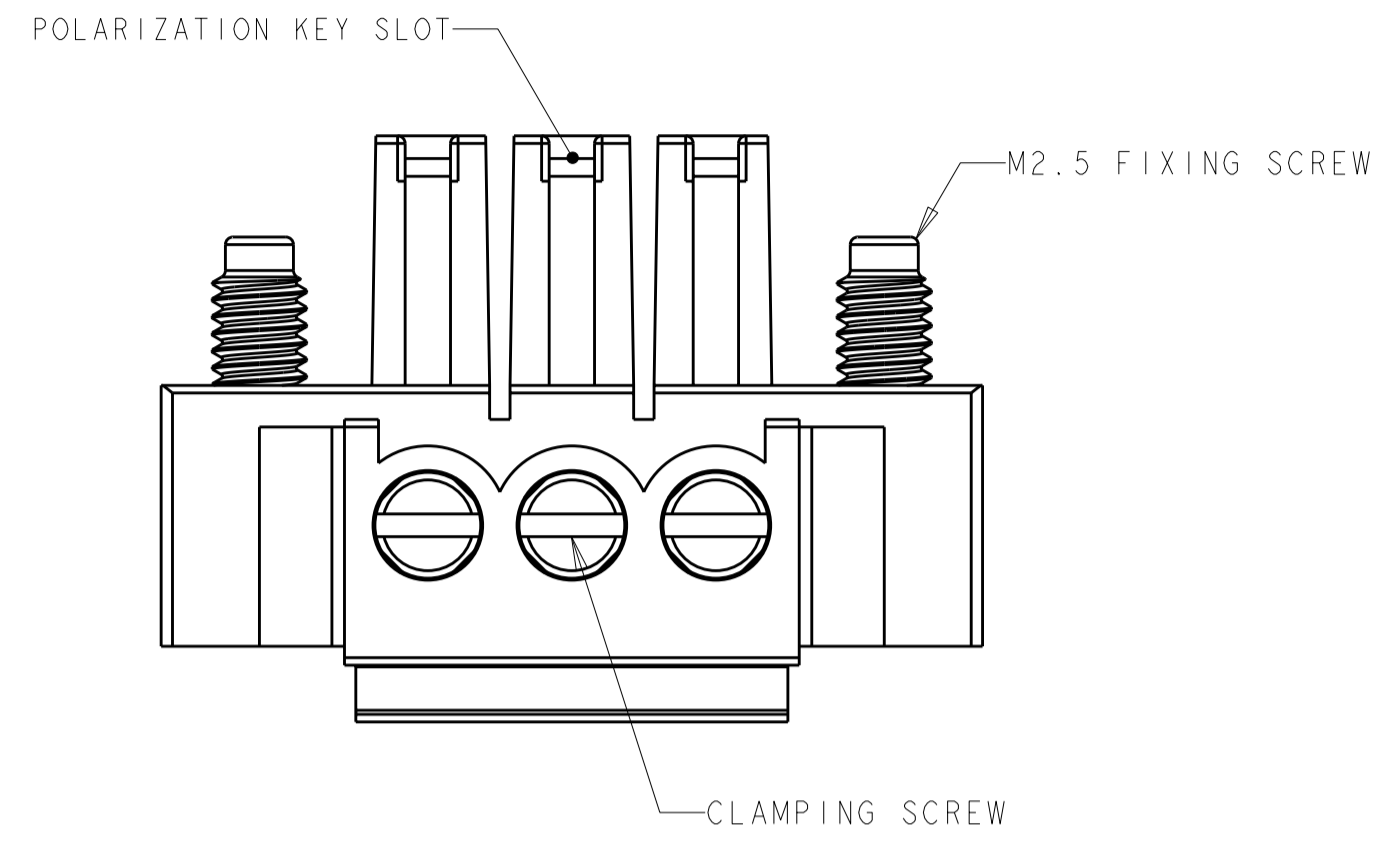
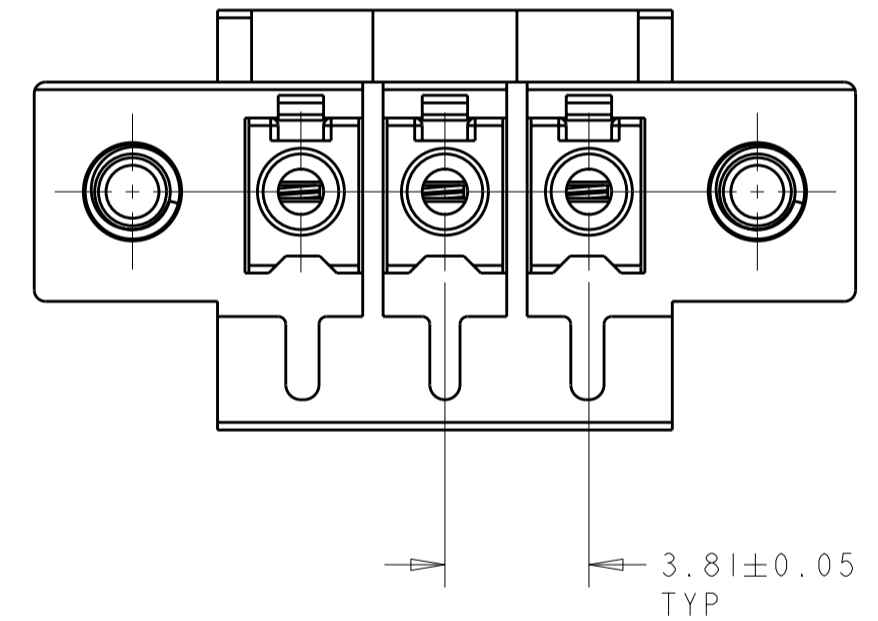
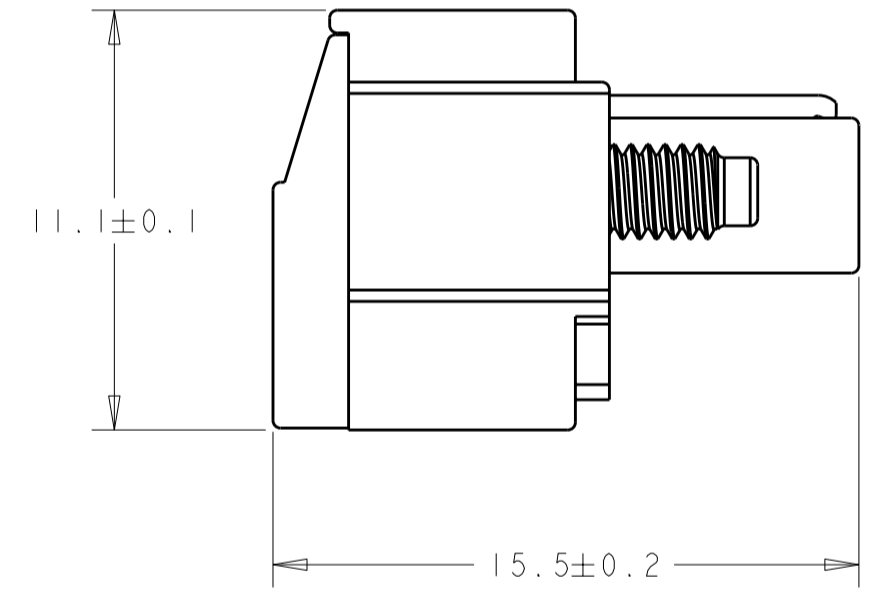
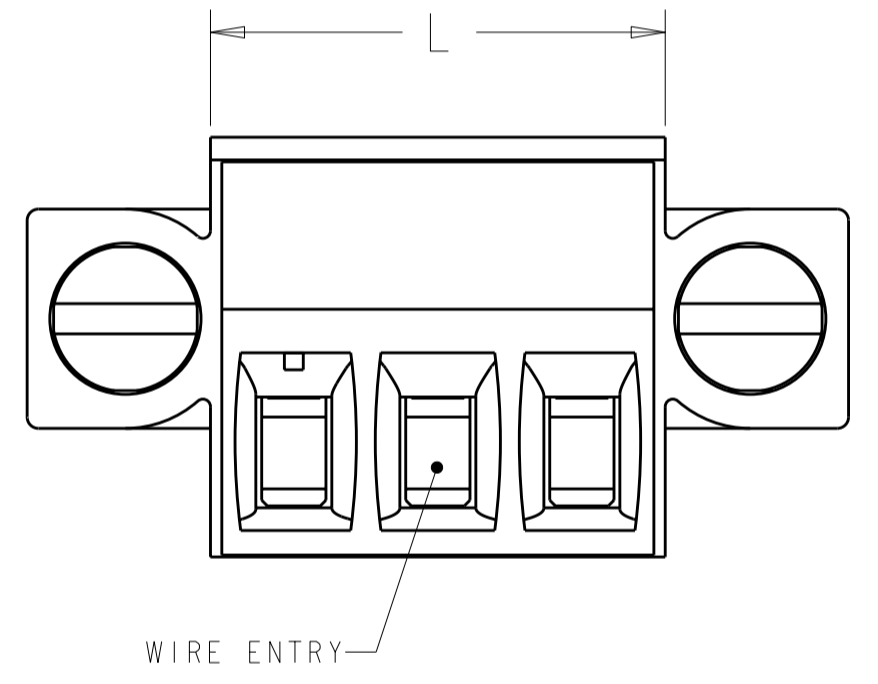


THIS DRAWING IS UNPUBLISHED. RELEASED FOR PUBLICATION 20
 © COPYRIGHT 20 BY TYCO ELECTRONICS CORPORATION. ALL RIGHTS RESERVED.

LOC	DIST	REVISIONS			
P	LTR	DESCRIPTION	DATE	DWN	APVD
FT	0				
	A2	REVISED PER ECO-11-005009	12MAR2011	HMR	CR



1776192-3 AS SHOWN



98.02	23	2-1776192-3
94.21	22	2-1776192-2
90.40	21	2-1776192-1
86.59	20	2-1776192-0
82.78	19	1-1776192-9
78.97	18	1-1776192-8
75.16	17	1-1776192-7
71.35	16	1-1776192-6
67.54	15	1-1776192-5
63.73	14	1-1776192-4
59.92	13	1-1776192-3
56.11	12	1-1776192-2
52.30	11	1-1776192-1
48.49	10	1-1776192-0
44.68	9	1776192-9
40.87	8	1776192-8
37.06	7	1776192-7
33.25	6	1776192-6
29.44	5	1776192-5
25.63	4	1776192-4
21.82	3	1776192-3
18.01	2	1776192-2
L	NO OF POSN	PART NUMBER

⚠ MATERIALS AND FINISH
 HOUSING : PA 6.6, UL 94-V0, COLOR: BLACK.
 CLAMP : BRASS, NICKEL PLATED
 TERMINAL : BRASS, TIN PLATED
 CONTACT SPRING : PHOSPHOR BRONZE, TIN PLATED
 CLAMPING SCREW : M2, BRASS, NICKEL PLATED

2. WIRE SIZE RANGE: 14-30 AWG.

THIS DRAWING IS A CONTROLLED DOCUMENT FOR TYCO ELECTRONICS CORPORATION. IT IS SUBJECT TO CHANGE AND THE CONTROLLING ENGINEERING ORGANIZATION SHOULD BE CONTACTED FOR THE LATEST REVISION.		DWN S. WELDON 21SEP2004	Tyco Electronics Harrisburg, PA 17105-3608	
DIMENSIONS: mm		CHK C. RICHARD 21SEP2004	NAME TERMINAL BLOCK, PLUG ASSEMBLY, WITH SCREW FLANGE 3.81mm PITCH	
TOLERANCES UNLESS OTHERWISE SPECIFIED: 0 PLC ±- 1 PLC ±.3 2 PLC ±.25 3 PLC ±- 4 PLC ±- ANGLES ±2 FINISH		APVD C. RICHARD 21SEP2004	RESTRICTED TO	
MATERIAL		PRODUCT SPEC 108-20166	SIZE A2	CAGE CODE 00779
		APPLICATION SPEC 114-20079	DRAWING NO 1776192	REV A2
		WEIGHT -	SCALE 5:1	SHEET 1 OF 1
		CUSTOMER DRAWING		