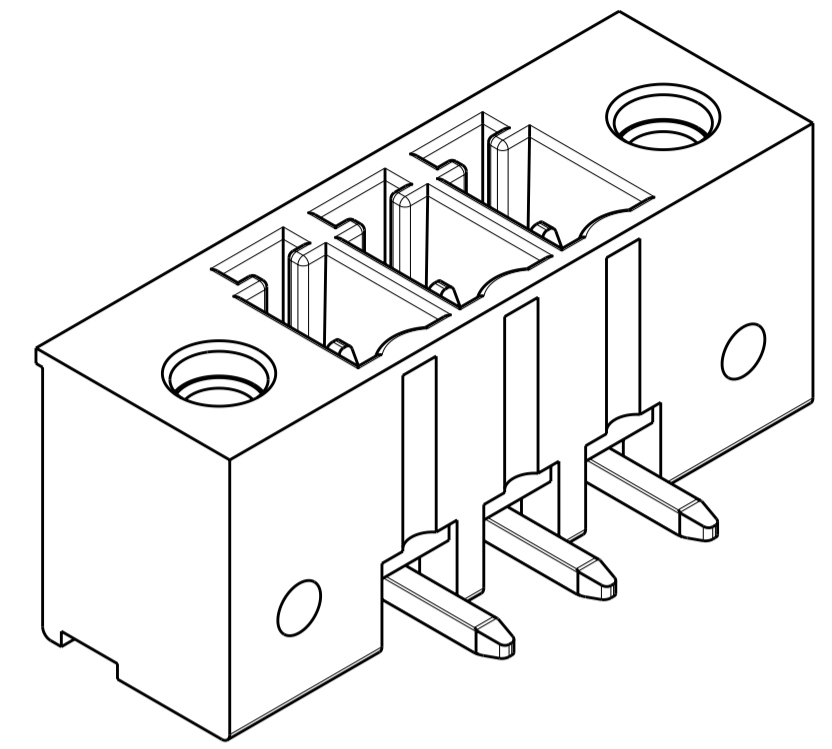
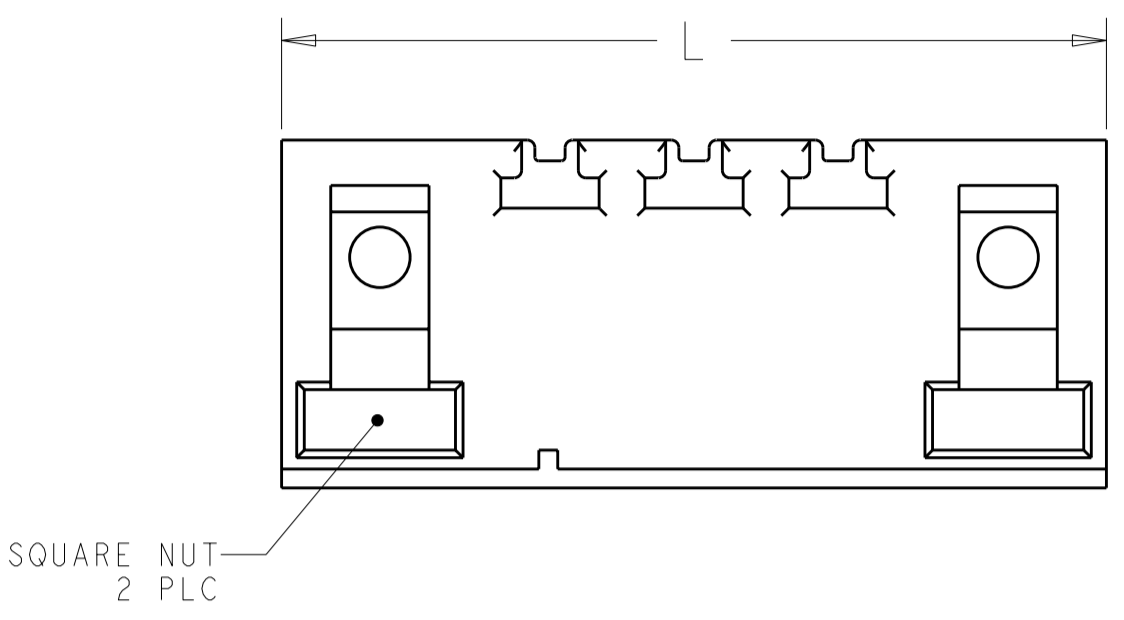


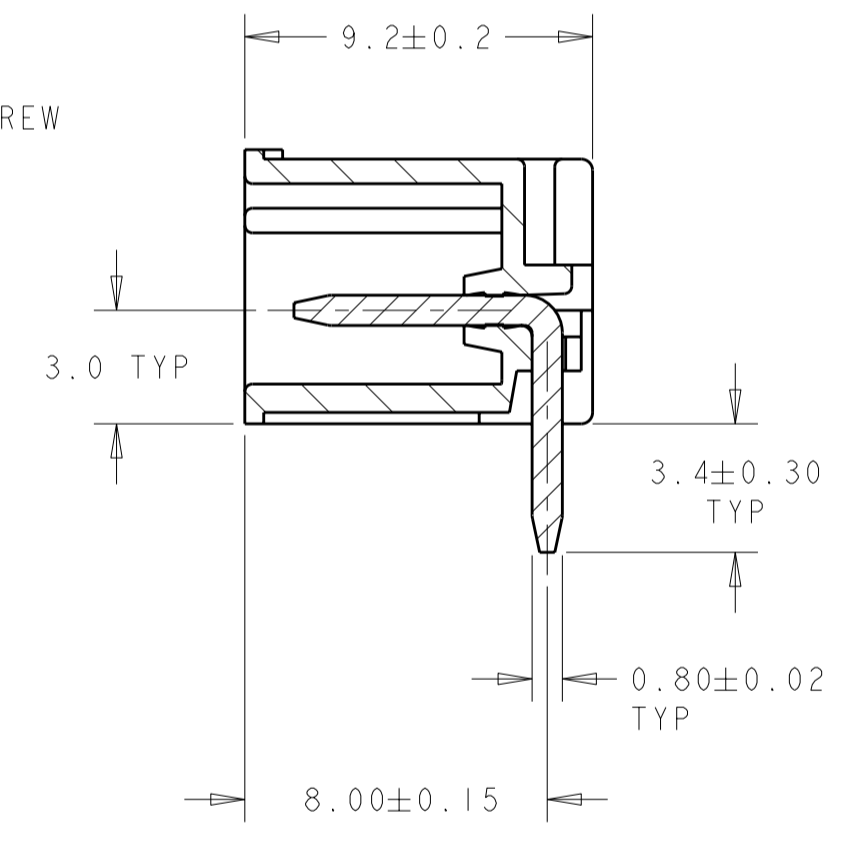
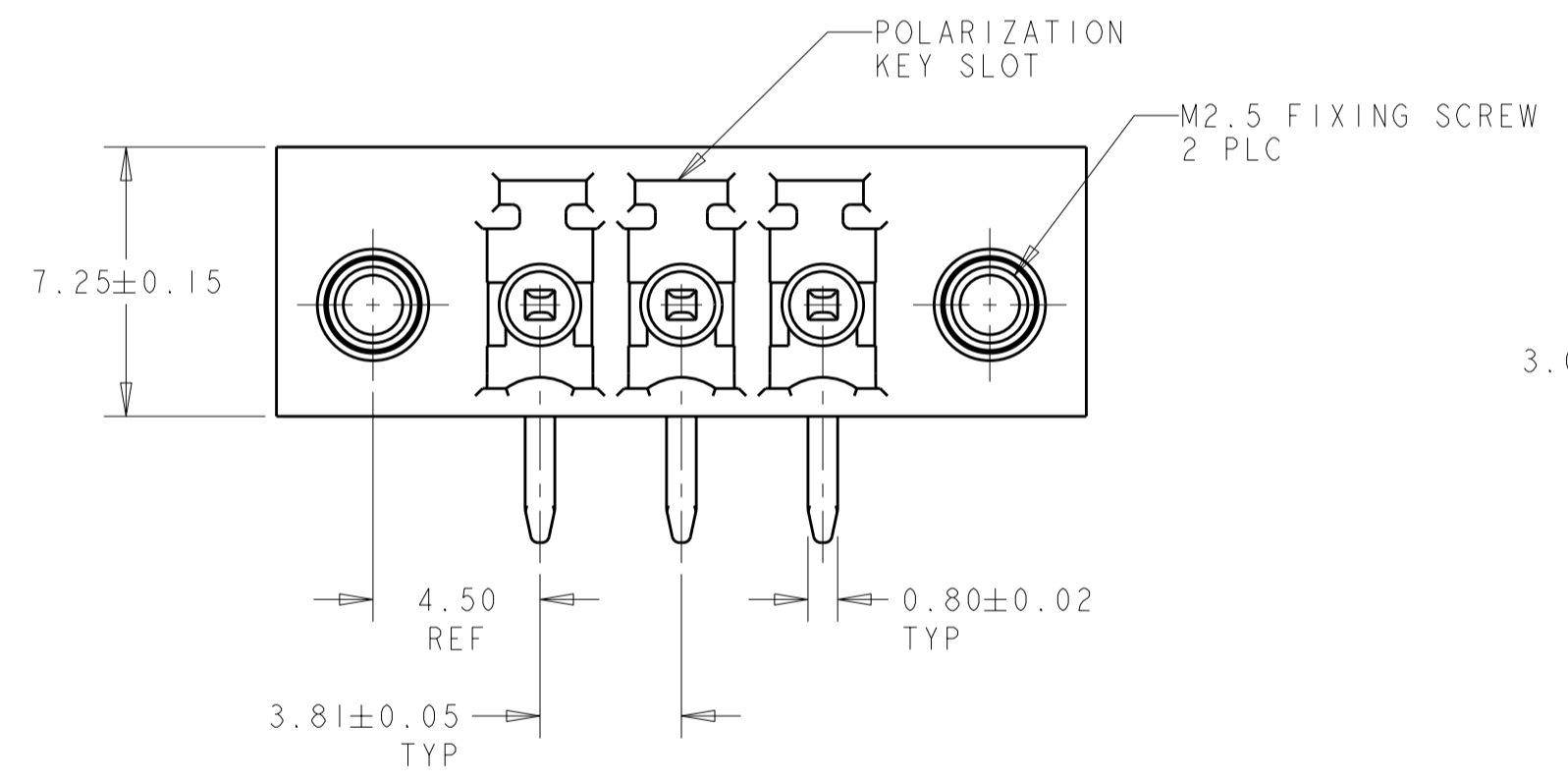
THIS DRAWING IS UNPUBLISHED. RELEASED FOR PUBLICATION 20  
 © COPYRIGHT 20 BY TYCO ELECTRONICS CORPORATION. ALL RIGHTS RESERVED.

LOC	DIST	REVISIONS			
P	LTR	DESCRIPTION	DATE	DWN	APVD
FT	0				
	AI	REVISED PER ECO-10-013529	29JUN2010	HMR	CR

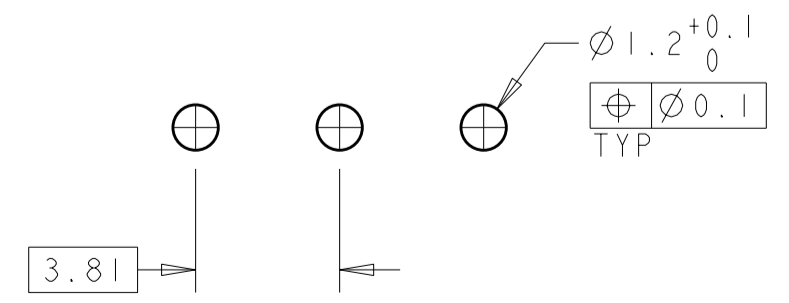


1776190-3 AS SHOWN

- 1. MATERIALS AND FINISH  
 HOUSING : PA 6.6, UL 94-V0, COLOR: BLACK.  
 TERMINAL : PHOSPHOR BRONZE, TIN PLATED
- 2. CONNECTOR ASSEMBLY INCLUDES 2 SQUARE NUTS  
 LOADED IN CAVITY
- 3. SUITABLE FOR 1.6-2.4 mm. PC BOARD THICKNESS
- 4. PRELIMINARY PART NO.



SECTION A-A



RECOMMENDED PC BOARD LAYOUT

98.02	23	4	2-1776190-3
94.21	22	4	2-1776190-2
90.40	21	4	2-1776190-1
86.59	20	4	2-1776190-0
82.78	19	4	1-1776190-9
78.97	18	4	1-1776190-8
75.16	17	4	1-1776190-7
71.35	16	4	1-1776190-6
67.54	15	4	1-1776190-5
63.73	14	4	1-1776190-4
59.92	13	4	1-1776190-3
56.11	12	4	1-1776190-2
52.30	11	4	1-1776190-1
48.49	10	4	1-1776190-0
44.68	9	4	1776190-9
40.87	8	4	1776190-8
37.06	7		1776190-7
33.25	6	4	1776190-6
29.44	5		1776190-5
25.63	4	4	1776190-4
21.82	3	4	1776190-3
18.01	2	4	1776190-2
L	NO OF POSN		PART NUMBER

THIS DRAWING IS A CONTROLLED DOCUMENT FOR TYCO ELECTRONICS CORPORATION. IT IS SUBJECT TO CHANGE AND THE CONTROLLING ENGINEERING ORGANIZATION SHOULD BE CONTACTED FOR THE LATEST REVISION.		DWN S. WELDON 16SEP2004	Tyco Electronics Harrisburg, PA 17105-3608	
DIMENSIONS: mm		CHK C. RICHARD 16SEP2004	NAME TERMINAL BLOCK, HEADER ASSEMBLY 90 DEGREE, W/ THREADED FLANGE, 3.81mm PITCH	
TOLERANCES UNLESS OTHERWISE SPECIFIED: 0 PLC ±. 1 PLC ±.3 2 PLC ±.25 3 PLC ±. 4 PLC ±. ANGLES ±2		APVD C. RICHARD 16SEP2004	PRODUCT SPEC 108-20166	
MATERIAL		FINISH	APPLICATION SPEC 114-20079	RESTRICTED TO
			WEIGHT	SIZE A2
			CUSTOMER DRAWING	CAGE CODE 00779
				DRAWING NO 1776190
				SCALE 5:1
				SHEET 1
				OF 1
				REV A1