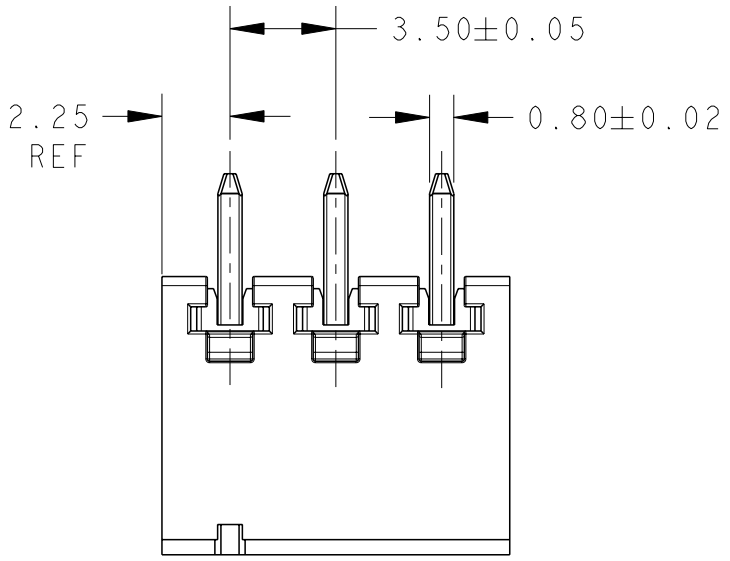
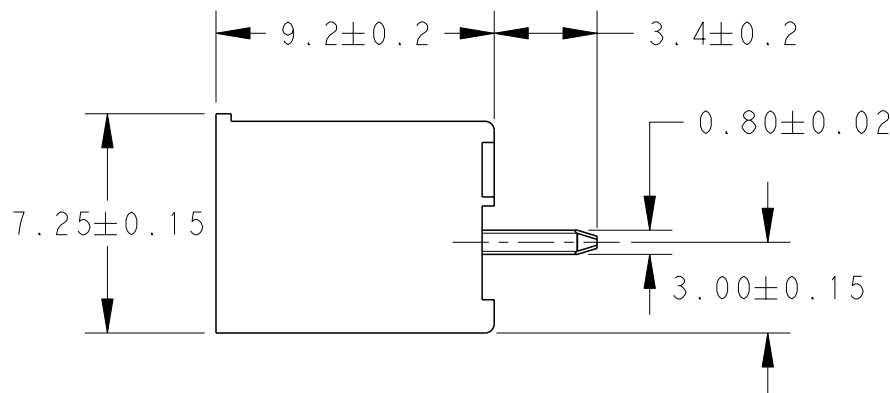
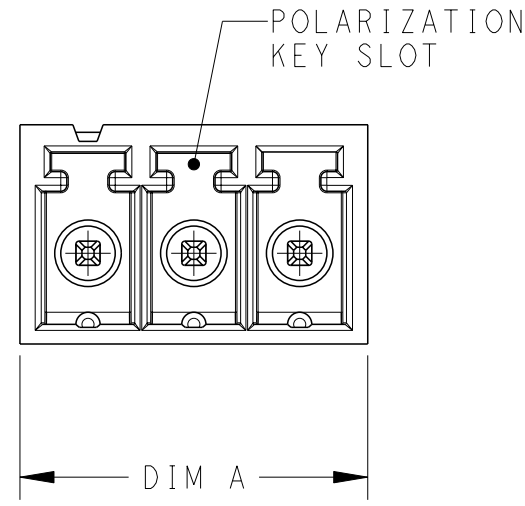


REVISIONS					
P	LTR	DESCRIPTION	DATE	DWN	APVD
	01	REVISED PER ECO-09-027788	06JAN2010	SS	CR
	A	NEW PART NUMBER 5-1776130-4 IS ADDED	15SEP2023	SP	PS

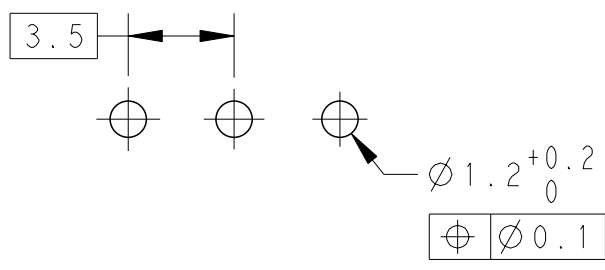


NOTES:

- 1. MATERIAL AND FINISH
 HOUSING : HIGH TEMPERATURE POLYAMIDE, UL 94V-0 RATED,
 COLOR: BLACK
 TERMINAL CONTACT : COPPER ALLOY, FINISH TIN PLATING
 OVER NICKEL UNDERPLATING
- 2. MECHANICAL:
 MAX. PC BOARD THICKNESS : 2.4mm
- 3. ELECTRICAL
 MAX. VOLTAGE : 300 V
 MAX CURRENT : 11 A
 CONTACT RESISTANCE : < 15 m Ohm
 INSULATION RESISTANCE : > 1000 M Ohm (500V DC)
- 4. OPERATING TEMPERATURE RANGE: -40°C TO +105°C
- 5. PACKAGING: TAPE AND REEL



DIM A	NO. OF POS.	PART NUMBER
15.0	04	5-1776130-4
43.0	12	1-1776130-2
39.5	11	1-1776130-1
36.0	10	1-1776130-0
32.5	9	1776130-9
29.0	8	1776130-8
25.5	7	1776130-7
22.0	6	1776130-6
18.5	5	1776130-5
15.0	4	1776130-4
11.5	3	1776130-3
8.0	2	1776130-2



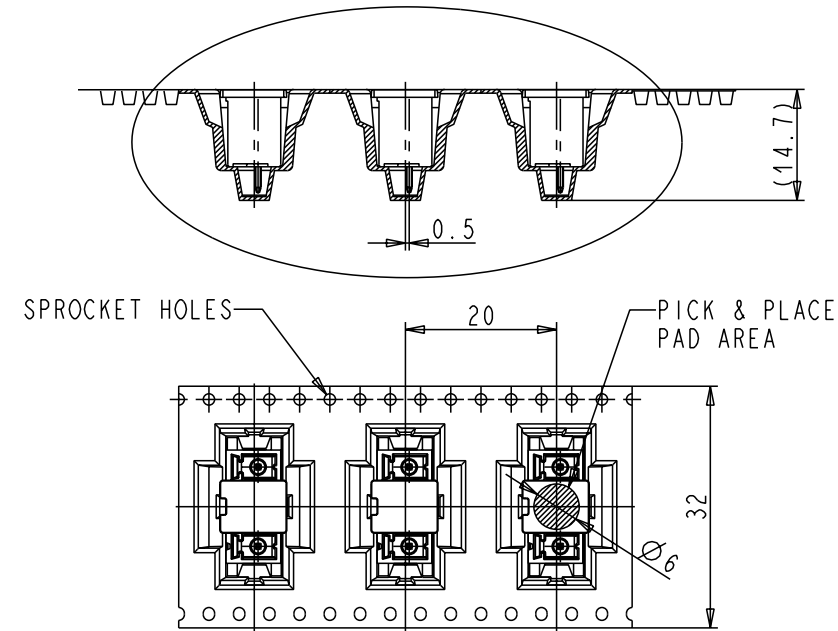
RECOMMENDED PC BOARD LAYOUT

THIS DRAWING IS A CONTROLLED DOCUMENT.		DWN S. SCHLEGEL 06JAN2010	TE Connectivity	
DIMENSIONS: mm		CHK C. RICHARD 06JAN2010		
TOLERANCES UNLESS OTHERWISE SPECIFIED:		APVD C. RICHARD 06JAN2010	NAME TERMINAL BLOCK HEADER ASSEMBLY STRAIGHT, CLOSED ENDS, 3.5mm PITCH	
0 PLC ±-		PRODUCT SPEC	-	
1 PLC ±0.3		APPLICATION SPEC	-	
2 PLC ±0.25		WEIGHT	-	
3 PLC ±-		CUSTOMER DRAWING	-	
4 PLC ±-		SCALE	4:1	
ANGLES ±2		SIZE	A300779	
FINISH		CAGE CODE	C=1776130	
-		DRAWING NO	-	
1		RESTRICTED TO	-	
		SHEET	1 OF 2	
		REV	A	

printed on 19 Sep 2023 12:39 (India Standard Time) from TE490671

REVISIONS

P	LTR	DESCRIPTION	DATE	DWN	APVD
-	-	SEE SHEET 1	-	-	-

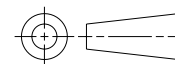


AS SHOWN FOR PN 5-1776130-4



THIS DRAWING IS A CONTROLLED DOCUMENT.

DIMENSIONS:
mm



TOLERANCES UNLESS OTHERWISE SPECIFIED:

0 PLC	±	-
1 PLC	±	0.3
2 PLC	±	0.25
3 PLC	±	-
4 PLC	±	-
ANGLES	±	2

MATERIAL

FINISH

DWN S. SCHLEGEL 06 JAN 2010
 CHK C. RICHARD 06 JAN 2010
 APVD C. RICHARD 06 JAN 2010

PRODUCT SPEC -
 APPLICATION SPEC -
 WEIGHT -



NAME
TERMINAL BLOCK HEADER ASSEMBLY
STRAIGHT, CLOSED ENDS, 3.5mm PITCH

SIZE	CAGE CODE	DRAWING NO	RESTRICTED TO
A3	00779	C-1776130	-

CUSTOMER DRAWING SCALE 4:1 SHEET 2 OF 2 REV A

Printed on 19 Sep 2023 12:39 (India Standard Time) from TE490671

A

D