

THIS DRAWING IS UNPUBLISHED. RELEASED FOR PUBLICATION
 © COPYRIGHT BY TYCO ELECTRONICS CORPORATION. ALL RIGHTS RESERVED.

LOC	DIST	REVISIONS					
FT	0	P	LTR	DESCRIPTION	DATE	DWN	APVD
		A		REVISED PER 0G3B-115B--04	12/13/04	SS	SRY

NOTES:

- ① MATERIAL: .032 THICK, BRASS, TEMPERED.
- ② FINISH: BRIGHT TIN PLATE.

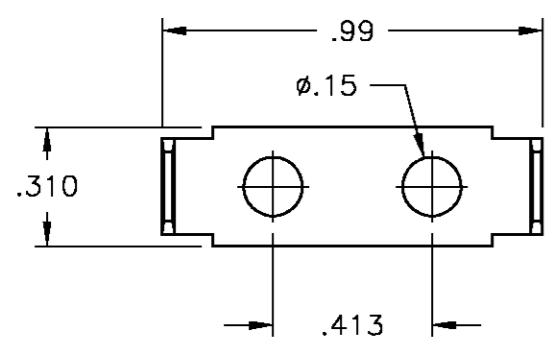


FIGURE 1

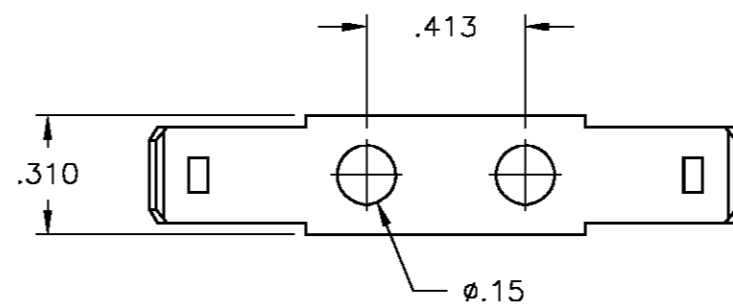
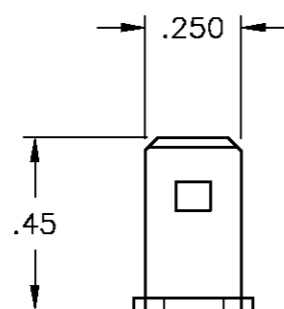
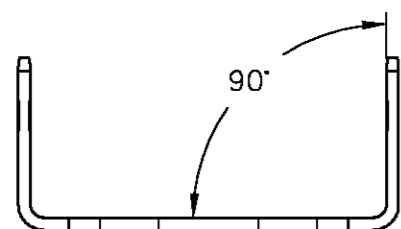


FIGURE 2

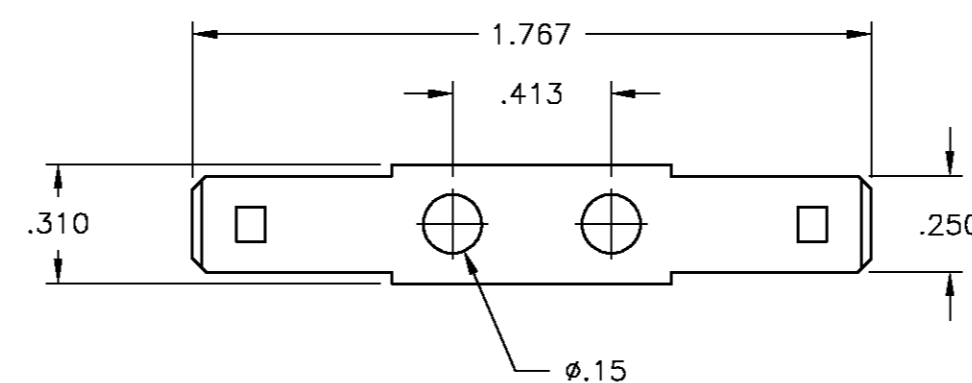
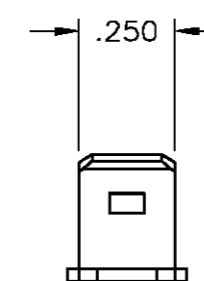
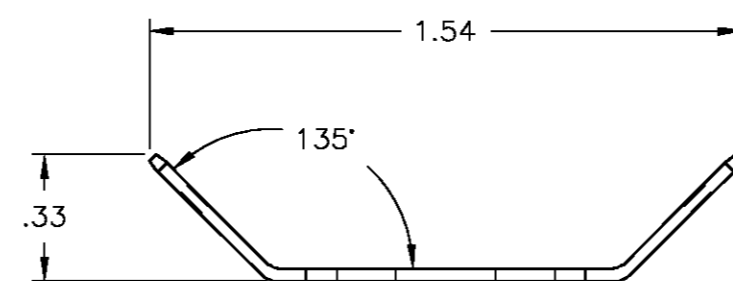


FIGURE 3

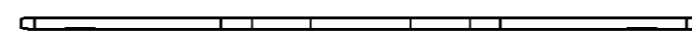


FIGURE 3	1776057-3
FIGURE 2	1776057-2
FIGURE 1	1776057-1
FIGURE	PART NUMBER

THIS DRAWING IS A CONTROLLED DOCUMENT.		DWN S SCHLEGEL 03MAY04	BUCHANAN Tyco Electronics Corporation Harrisburg, Pa 17105-3608	
DIMENSIONS: INCHES		CHK S YODER 5/3/04		
TOLERANCES UNLESS OTHERWISE SPECIFIED:		APVD S YODER 5/3/04	NAME DOUBLE ROW, .250 WIDE QC TABS DOUBLE SIDED	
0 PLC ± -		PRODUCT SPEC	SIZE A2	
1 PLC ± -		APPLICATION SPEC	CAGE CODE 00779	
2 PLC ± .01		WEIGHT	DRAWING NO C=1776057	
3 PLC ± .005		RESTRICTED TO	SCALE 2:1	
4 PLC ± -			SHEET 1 OF 1	
ANGLES ± 3°			REV A	
FINISH		CUSTOMER DRAWING		