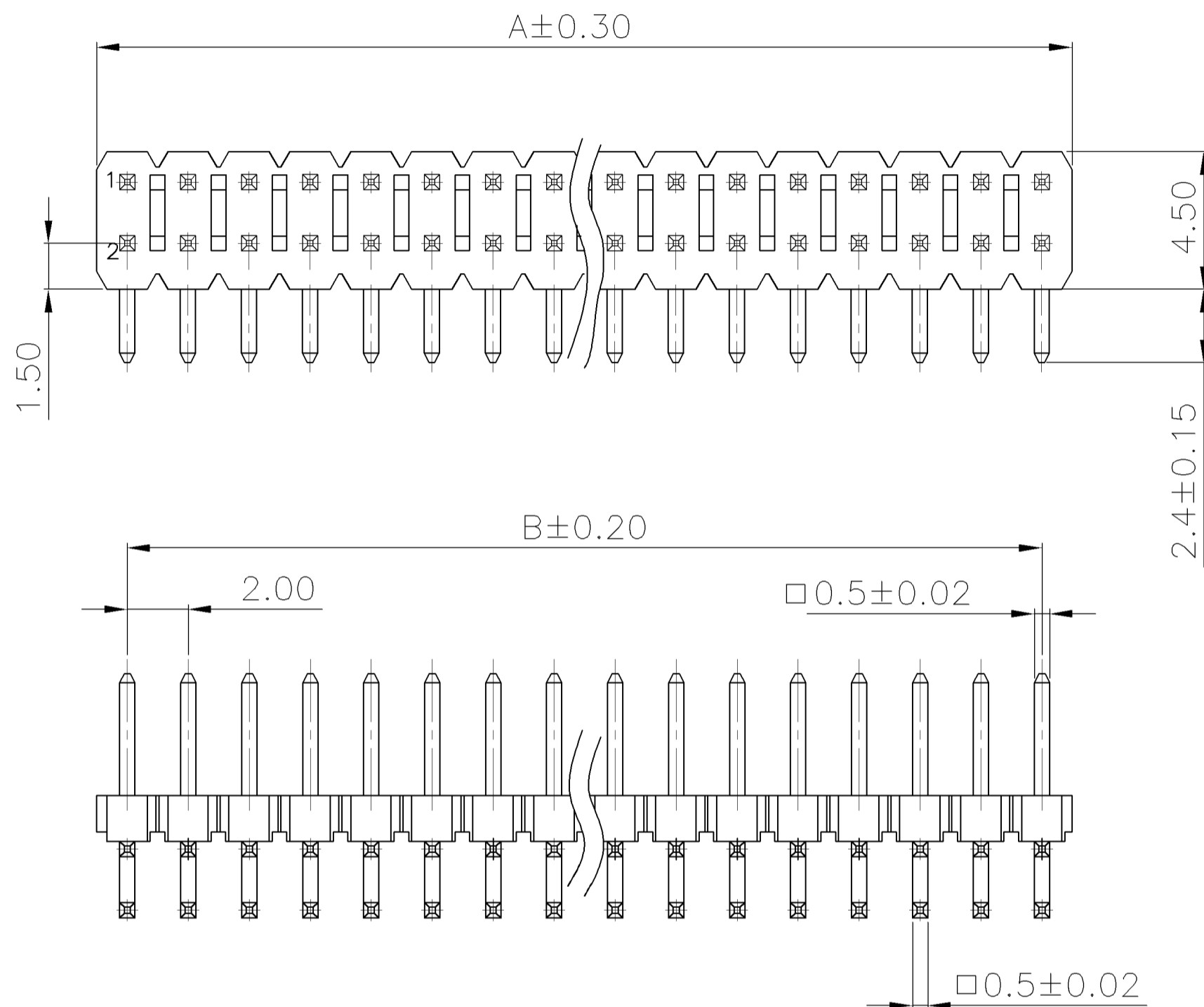


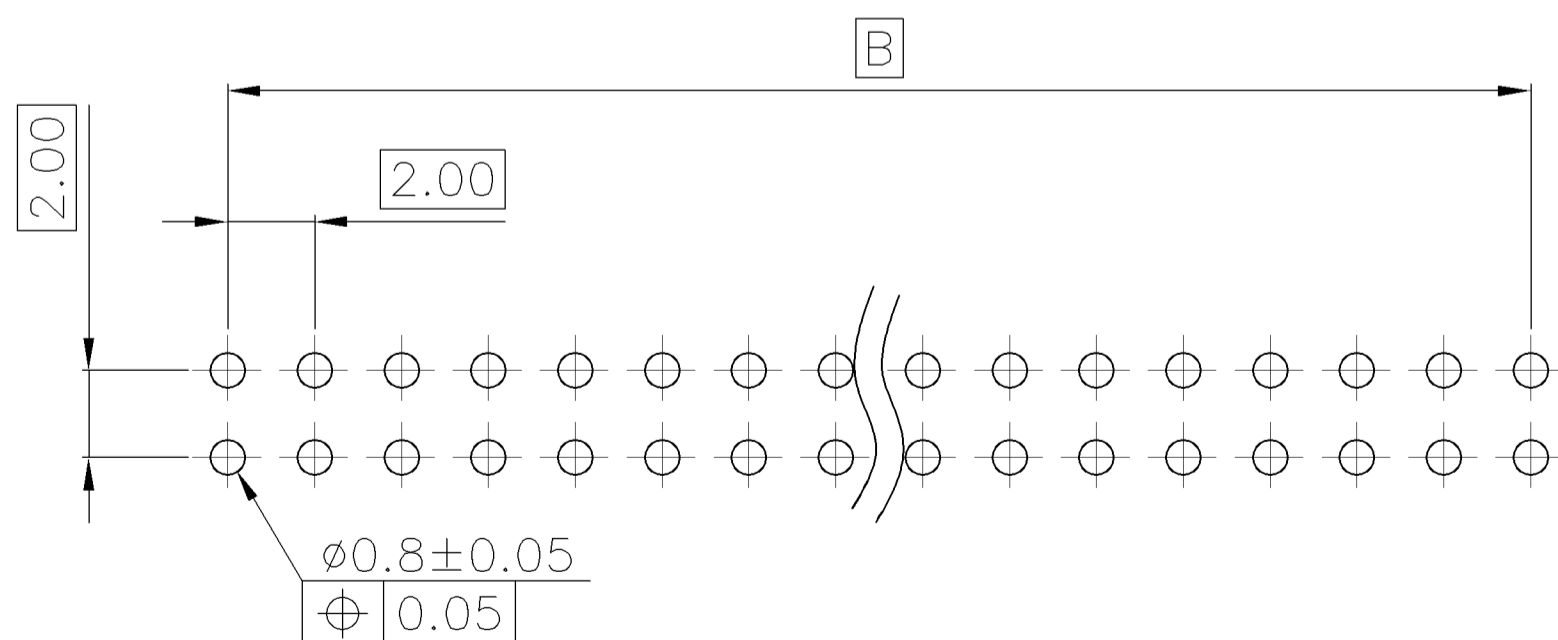
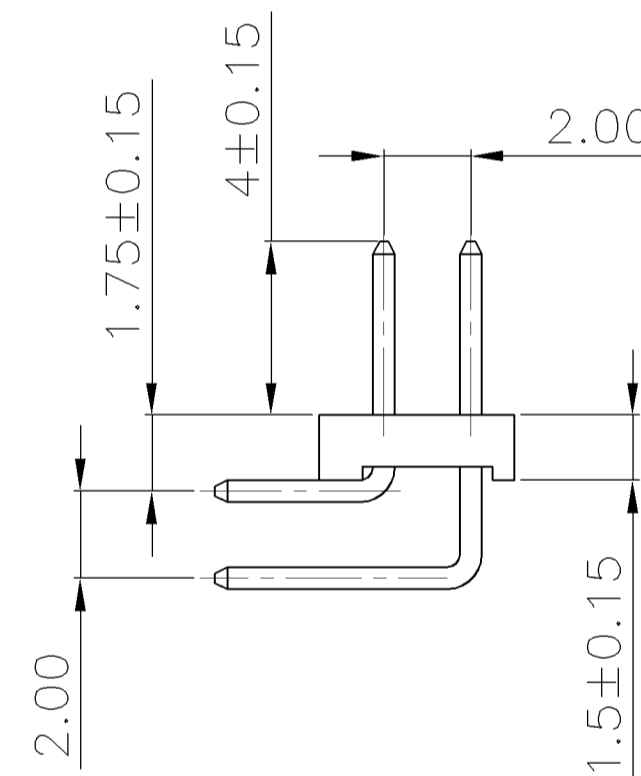
THIS DRAWING IS UNPUBLISHED. RELEASED FOR PUBLICATION
 © COPYRIGHT - BY TYCO ELECTRONICS CORPORATION. ALL RIGHTS RESERVED.

LOC	DIST	REVISIONS					
DW	—	P	LTR	DESCRIPTION	DATE	DWN	APVD
			A	RELEASED	19JAN2007	OH	WK



NOTE:

- MATERIAL:
HOUSING: PBT, UL 94V-0, BLACK COLOR.
CONTACT: BRASS.
- FINISH:
CONTACTS: $0.203 \mu\text{m}$ [$8 \mu''$] MIN. GOLD PLATED ON CONTACT AREA,
 $2.54 \mu\text{m}$ [$100 \mu''$] MIN. MATTE-TIN ON SOLDER TAIL, WITH
ENTIRE CONTACT UNDERPLATED $1.27 \mu\text{m}$ [$50 \mu''$] MIN. NICKEL.
- WAVE SOLDER CAPABLE TO 240°C PER TYCO TEST SPEC.
109-202, CONDITION A.



RECOMMENDED PCB LAYOUT

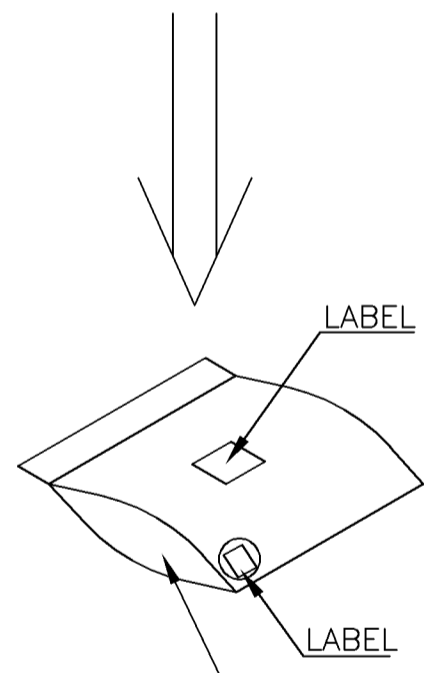
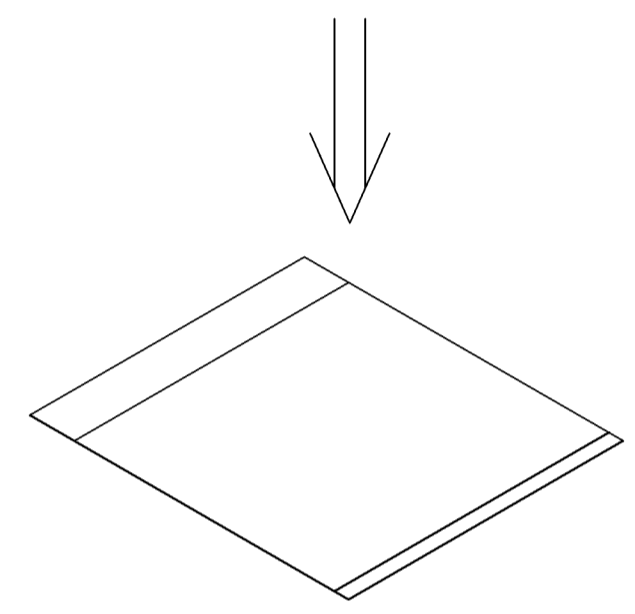
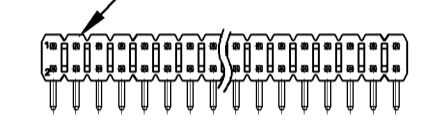
30.00	28.00	30	3-1775458-0
A	B	POSITION NUMBER	PART NUMBER
DIMENSIONS			

THIS DRAWING IS A CONTROLLED DOCUMENT.		DWN O. HU 16JAN2007	tyco Tyco Holdings (Bermuda)	
DIMENSIONS: MM		CHK S. HOU 16JAN2007	VII Ltd. Taiwan Branch	
TOLERANCES UNLESS OTHERWISE SPECIFIED:		APVD W.J. KE 16JAN2007	NAME	
0 PLC ± 0.35		PRODUCT SPEC	AMPMODU 2.0mm PITCH, R/A, HEIGHT 4.5mm	
1 PLC ± 0.25		108-57197	SIZE	
2 PLC ± 0.20		QUALIFICATION TEST REPORT	CAGE CODE	DRAWING NO
3 PLC ± 0.10		501-57197	A3	00779
4 PLC $\pm -$		WEIGHT	C=1775458	
ANGLES $\pm -$		CUSTOMER DRAWING	RESTRICTED TO	
MATERIAL SEE NOTE		FINISH SEE NOTE	SCALE	SHEET
			—	1 OF 2
				REV A

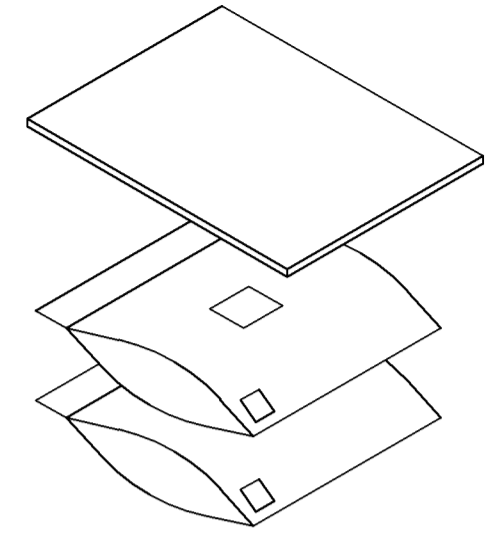
THIS DRAWING IS UNPUBLISHED. RELEASED FOR PUBLICATION
 © COPYRIGHT BY TYCO ELECTRONICS CORPORATION. ALL RIGHTS RESERVED.

LOC	DIST	REVISIONS			
P	LTR	DESCRIPTION	DATE	DWN	APVD
		SEE SHEET 1.			

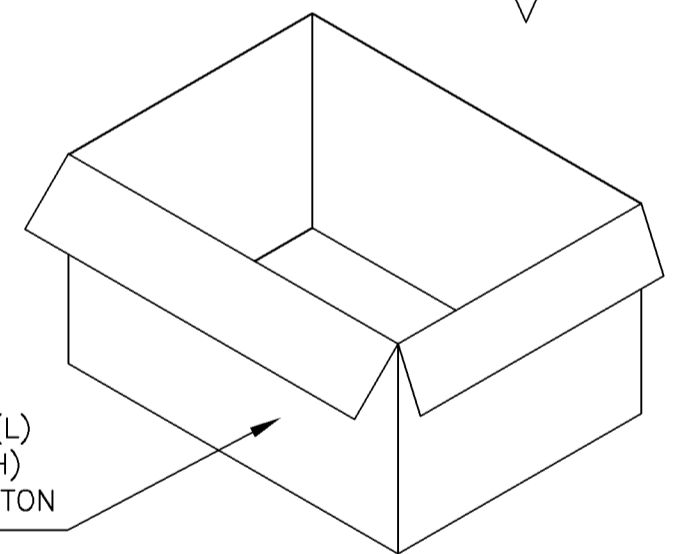
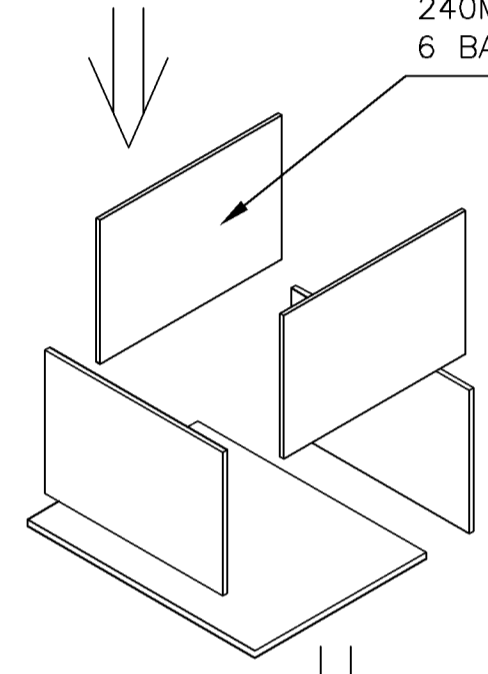
R/A HEADER SERIES



BAG MATERIAL: PVC
 DIMENSIONS: 100MM(L)X90MM(W)

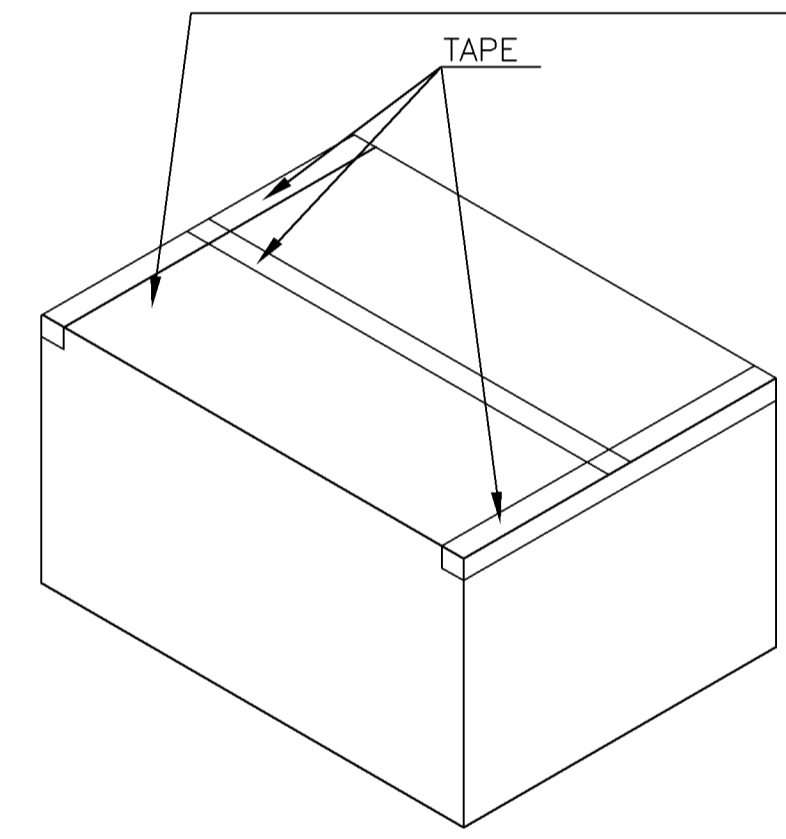


CORRUGATED FIBER BOARD
 240MM(L)X190MM(W)X10MM(H)
 6 BAGS/INNER CARTON



INNER CARTON MATERIAL: B3B
 DIMENSIONS: 270MM(L) X210MM(W)X240MM(H)
 60 BAGS/INNER CARTON

OUTER CARTON MATERIAL:K=A
 DIMENSIONS: 445MM(L)X280MM(W)X270(H)
 2 INNER CARTONS/OUTER CARTON



11.099	12.69	12,000	30	3-1775458-0
GROSS WEIGHT	NET WEIGHT	PCS/OUTER CARTON	POSITION NUMBER	PART NUMBER

THIS DRAWING IS A CONTROLLED DOCUMENT.		DWN O. HU 16JAN2007	Tyco Holdings (Bermuda) VII Ltd. Taiwan Branch	
DIMENSIONS: MM		CHK S. HOU 16JAN2007		
TOLERANCES UNLESS OTHERWISE SPECIFIED:		APVD W.J. KE 16JAN2007	NAME AMPMODU 2.0mm PITCH, R/A, HEIGHT 4.5mm	
0 PLC ± - 1 PLC ± - 2 PLC ± - 3 PLC ± - 4 PLC ± - ANGLES ± - FINISH		PRODUCT SPEC -	SIZE A3	CAGE CODE 00779
MATERIAL		APPLICATION SPEC -	DRAWING NO C=1775458	RESTRICTED TO -
		WEIGHT -	CUSTOMER DRAWING	
		SCALE -	SHEET 2 OF 2	REV A