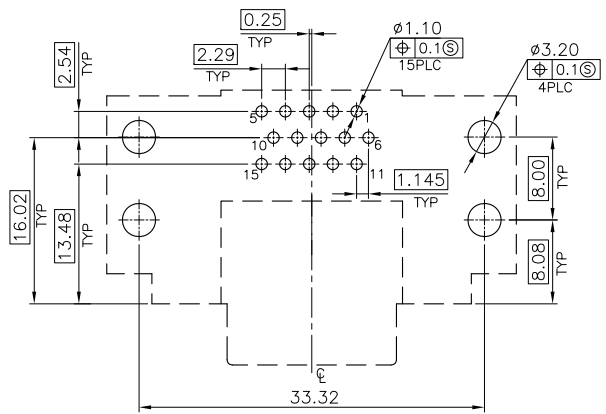
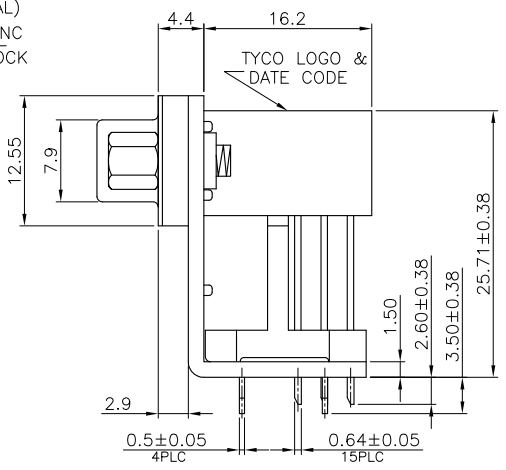
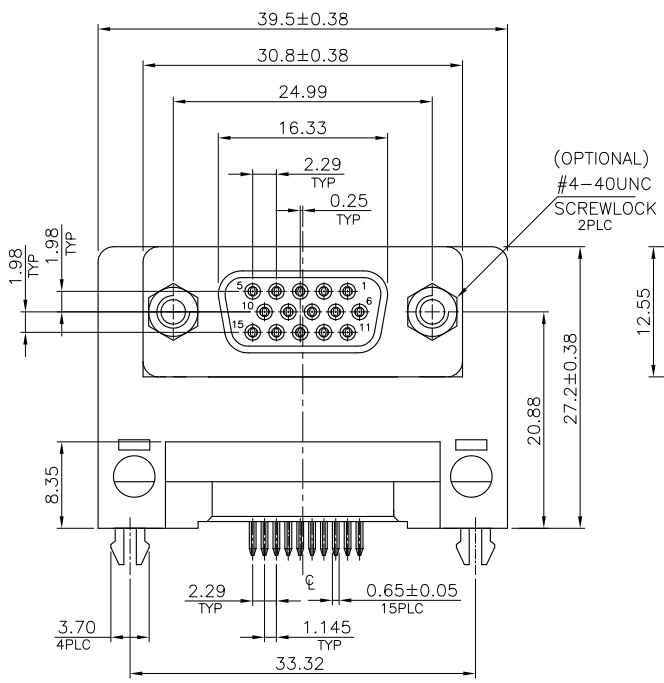


THIS DRAWING IS UNPUBLISHED. RELEASED FOR PUBLICATION  
 © COPYRIGHT BY TYCO ELECTRONICS CORPORATION. ALL RIGHTS RESERVED.

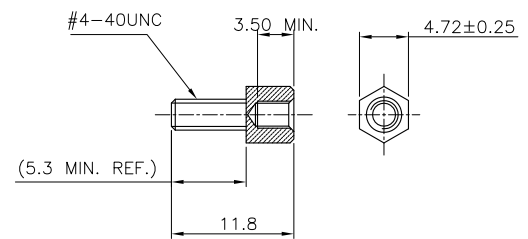
LOC		DIST		REVISIONS			
P	LTR	DESCRIPTION		DATE	DWN	APVD	
	A1	REVISED (ECR-12-009672)		24OCT12	JL	WK	

NOTES:

- MATERIAL:  
 HOUSING: THERMOPLASTIC (PBT) WITH 30% GF, UL 94V-0, BLUE COLOR.  
 BASE: THERMOPLASTIC (NYLON 6T) WITH 30%GF, UL 94V-0, BLACK COLOR.  
 CONTACTS: BRASS, 0.64mm SQ.  
 BOARDLOCKS: BRASS, 0.50mm THICKNESS.  
 SHELL: SPCC, T=0.40mm.  
 BRACKET: SPCC, T=1.50mm.  
 SCREW: BRASS
- FINISH:  
 CONTACTS: GOLD PLATED (SEE TABLE) ON CONTACT AREA, 2.54um[100u"] MIN. BRIGHT-TIN PLATED ON SOLDER TAIL, 1.27um[50u"] MIN. NICKEL UNDERPLATED OVER ALL.  
 BOARDLOCKS: 2.54um[100u"] MIN. BRIGHT-TIN PLATED, 1.27um[50u"] MIN. NICKEL UNDERPLATED OVER ALL.  
 SHELL: 2.54um[100u"] MIN. NICKEL PLATED.  
 BRACKET: 2.54um[100u"] MIN. NICKEL PLATED.  
 SCREW: 2.54um[100u"] MIN. NICKEL PLATED.
- RECOMMENDED PCB THICKNESS: 1.6mm.
- WAVE SOLDER CAPABLE TO 265°C PER TYCO TEST SPEC. 109-202, CONDITION B.

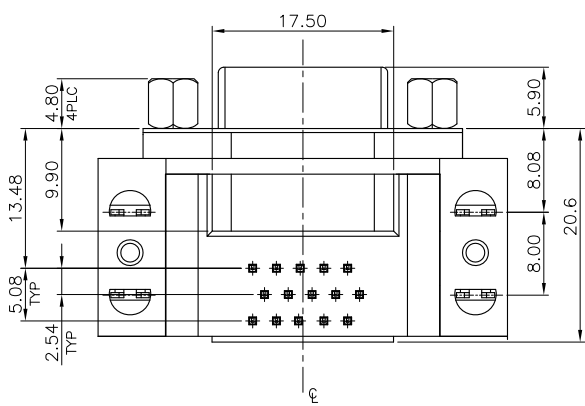


RECOMMENDED P.C.B. LAYOUT TOLERANCE: ±0.05



RECOMMENDED SCREW

	0.381um (15u")	W/	1-1775358-2
	0.381um (15u")	W/O	1-1775358-1
OBSOLETE	FLASH	W/	1775358-2
	FLASH	W/O	1775358-1
	GOLD PLT MIN.	SCREW	PART NUMBER



THIS DRAWING IS A CONTROLLED DOCUMENT.		DWN	25JAN2007	TE Connectivity NAME D-SUB HIGH DENSITY, 15 POS RECETACLE, R/A, DIP CONNECTOR	
DIMENSIONS: MM		CHK	25JAN2007		
TOLERANCES UNLESS OTHERWISE SPECIFIED:		APVD	25JAN2007		
0 PLC ± - 1 PLC ± 0.30 2 PLC ± 0.20 3 PLC ± 0.10 4 PLC ± - ANGLES ± -		PRODUCT SPEC 108-57584 QUALIFICATION TEST REPORT 501-57680 WEIGHT 20.2 GRAMS	SIZE A3		
MATERIAL	SEE NOTE	CUSTOMER DRAWING		CAGE CODE 00779	DRAWING NO 1775358
		SCALE		SHEET	REV
		-		1 OF 2	A1

4

3

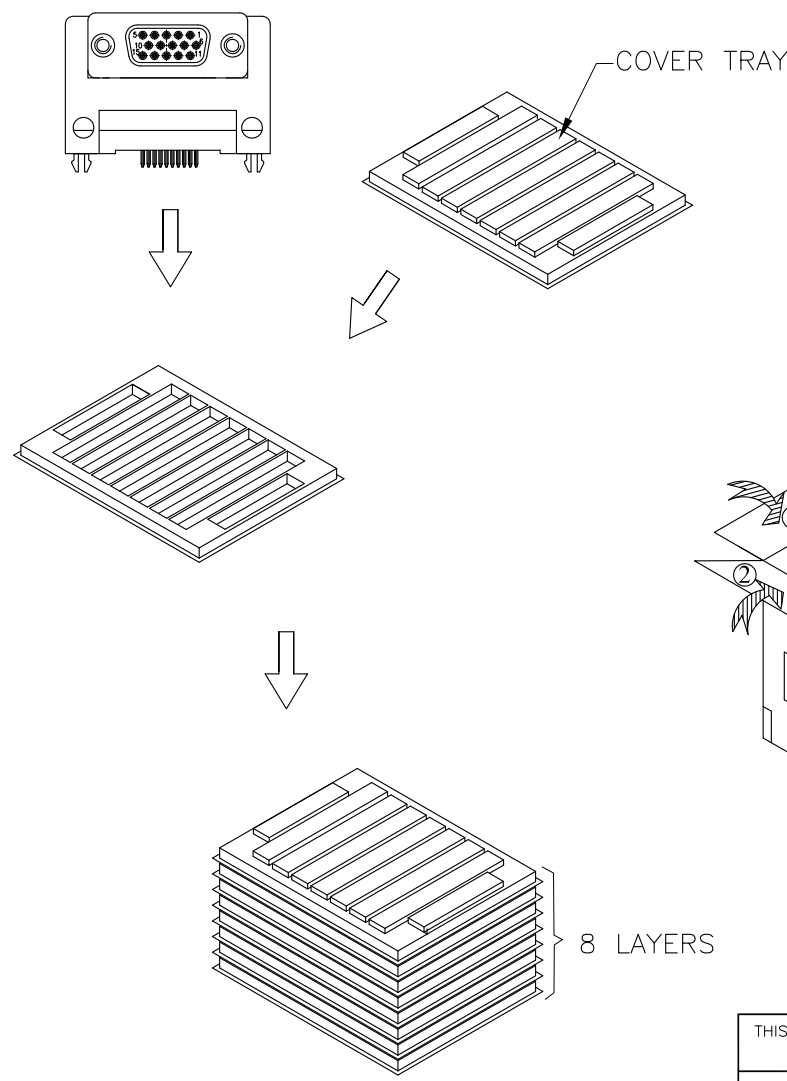
2

1

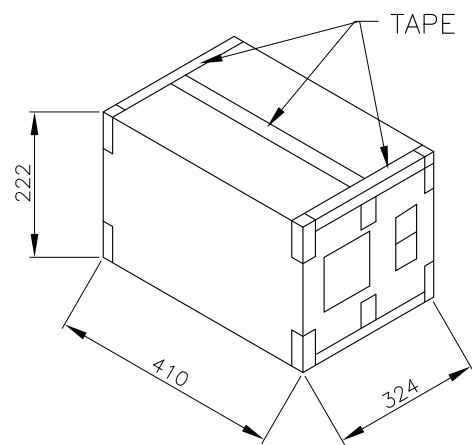
THIS DRAWING IS UNPUBLISHED. RELEASED FOR PUBLICATION

© COPYRIGHT BY TYCO ELECTRONICS CORPORATION. ALL RIGHTS RESERVED.

LOC	DIST	REVISIONS					
DW	-	P	LTR	DESCRIPTION	DATE	DWN	APVD
				SEE SHEET 1.			



- NOTES:
- DIMENSION:  
 TRAY: L=400, W=314, H=26  
 SHIPPING CARTON: L=410, W=324, H=222
  - QUANTITY: (SEE TABLE)
  - CARTON WEIGHT: (SEE TABLE)



9.86 KG	8.08 KG	50	8	400
GROSS WEIGHT / CARTON	NET WEIGHT / CARTON	PCS/TRAY	TRAYS / CARTON	PCS / CARTON

THIS DRAWING IS A CONTROLLED DOCUMENT.		DWN	25JAN2007	 TE Connectivity
		CHK	25JAN2007	
		APVD	25JAN2007	
		NAME	W.J. KE	
DIMENSIONS: MM 		TOLERANCES UNLESS OTHERWISE SPECIFIED: 0 PLC ± - 1 PLC ± - 2 PLC ± - 3 PLC ± - 4 PLC ± - ANGLES ± -		PRODUCT SPEC APPLICATION SPEC WEIGHT
MATERIAL		FINISH		SIZE: A3 CAGE CODE: 00779 DRAWING NO: C=1775358 RESTRICTED TO: -
CUSTOMER DRAWING				SCALE: - SHEET: 2 OF 2 REV: A1