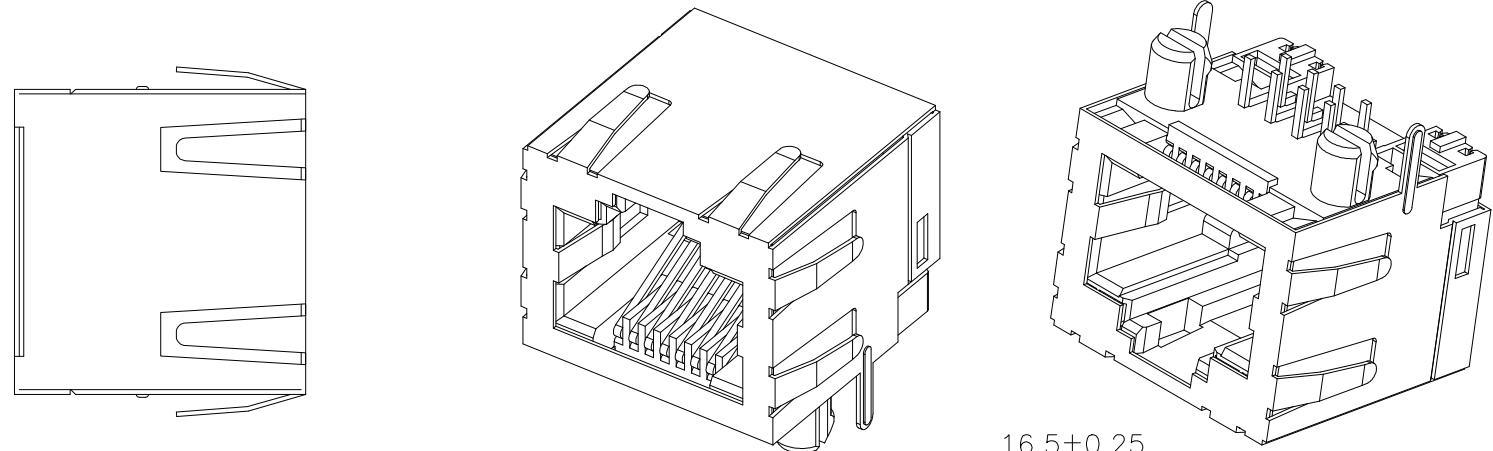
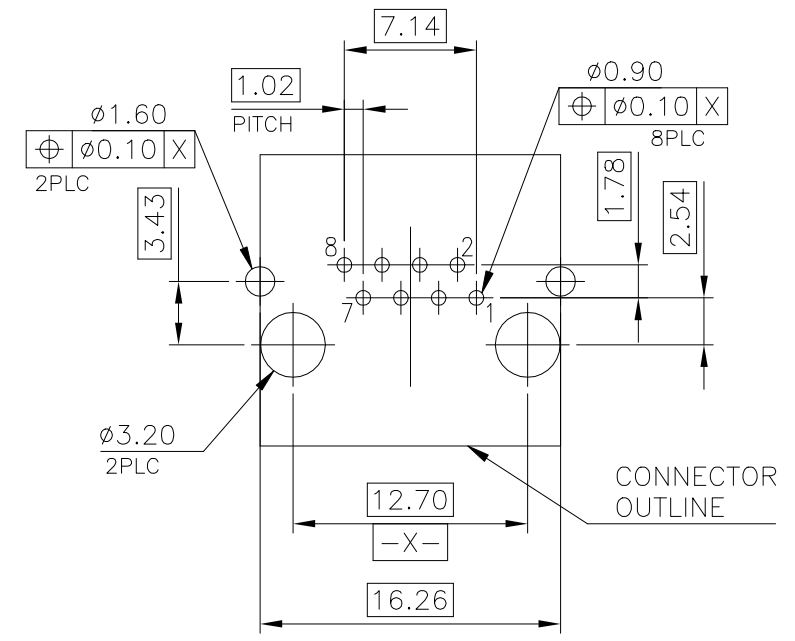
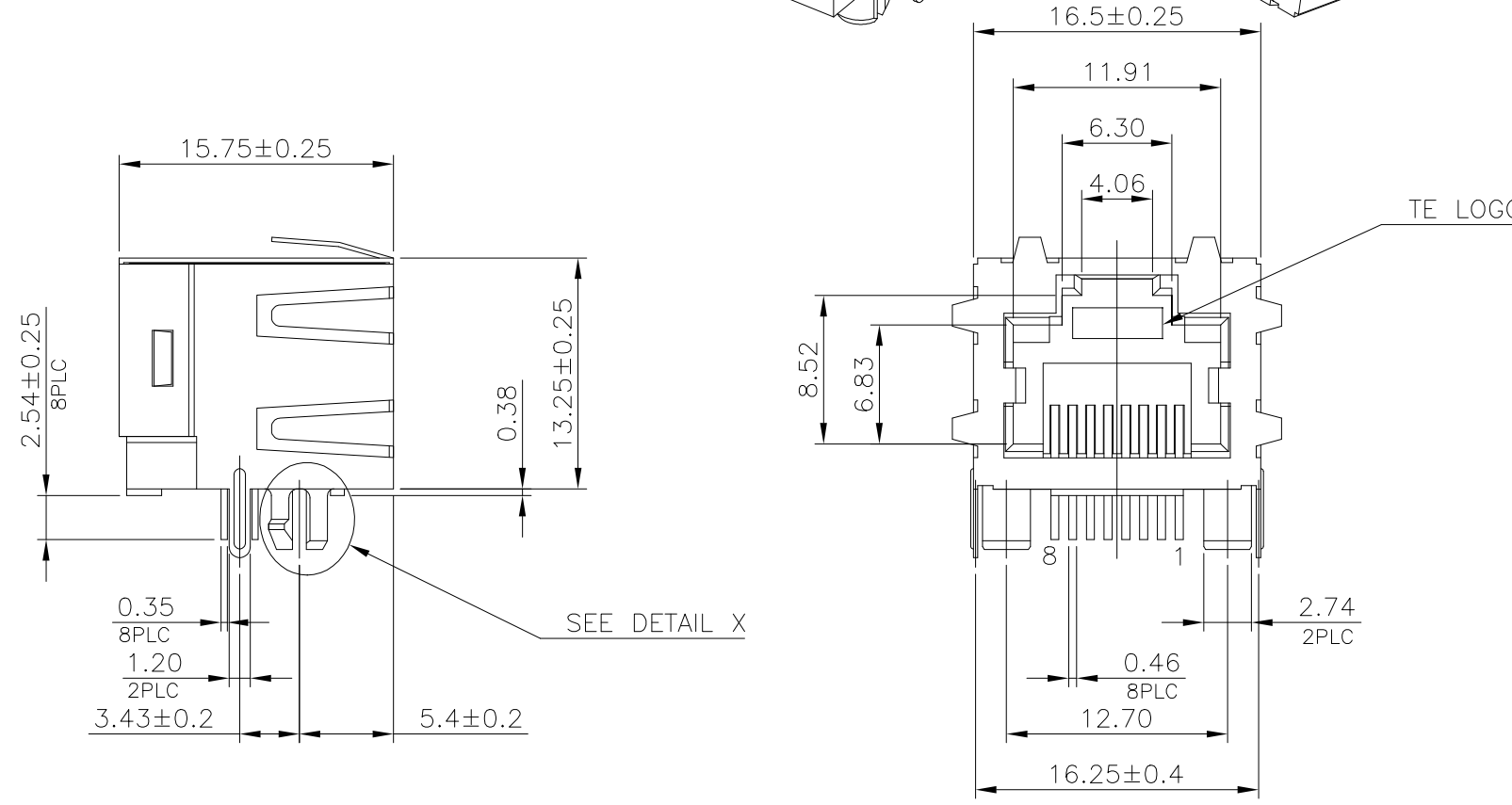


THIS DRAWING IS UNPUBLISHED. RELEASED FOR PUBLICATION  
 © COPYRIGHT - By - ALL RIGHTS RESERVED.

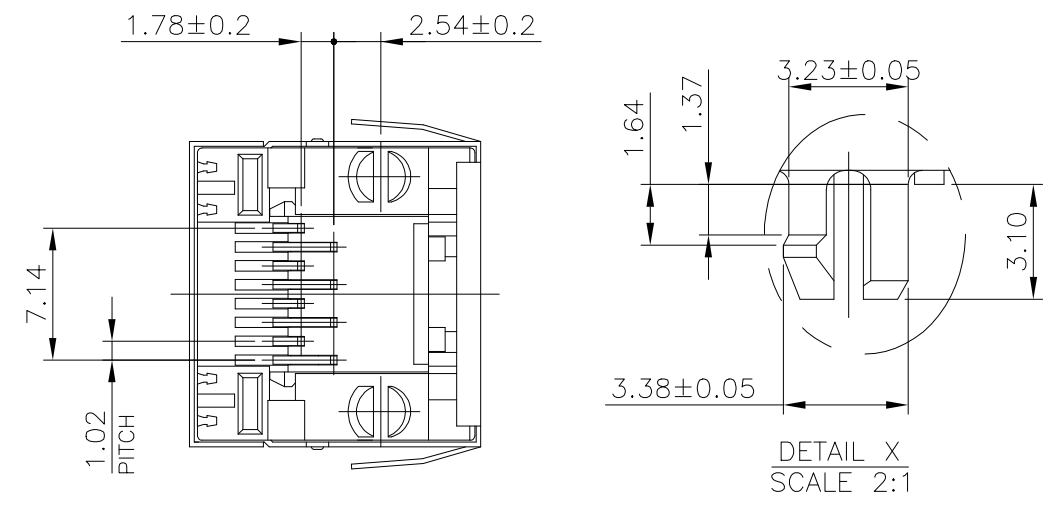
REVISIONS				
P	LTR	DESCRIPTION	DATE	APVD
B		ECO-16-018435	22DEC2016	SH



NOTE:  
 1. MATERIAL:  
 1.1 HOUSING: PA46, WITH 30% GF, UL94 V-0, BLACK COLOR.  
 1.2 CONTACTS: PHOSPHOR BRONZE.  
 1.3 SHELL: BRASS.  
 2. FINISH:  
 2.1 CONTACTS: (SEE TABLE) GOLD PLATED ON CONTACT AREA, GOLD FLASH ON SOLDER TAIL, 1.27um [50u"] MIN. NICKEL UNDERPLATED OVERALL.  
 2.2 SHELL: 0.508um [20u"] MIN. NICKEL PLATED.  
 3. WAVE SOLDER CAPABLE TO 265°C PER TEC-109-202, CONDITION B.  
 ⚠️ OBSOLETE PARTS: OBSOLETE CIS STREAMLINING PER D.RENAUD/D.SINISI



RECOMMENDED PCB LAYOUT  
 RECOMMENDED PCB THICKNESS: 1.6mm  
 TOLERANCE: ±0.05 (TOP VIEW)

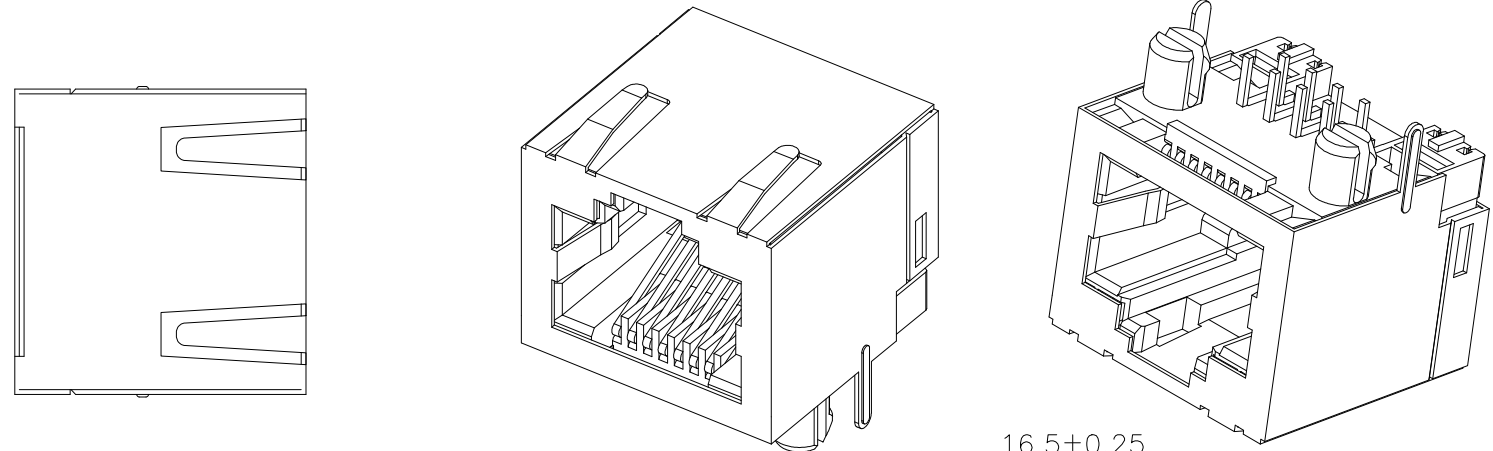


OBSOLETE ⚠️	1.27um[50u"]	1775134-4
	0.76um[30u"]	4775134-3
	0.38um[15u"]	4775134-2
	0.15um[6u"]	1775134-1
	MIN. GOLD THICKNESS	PART NUMBER

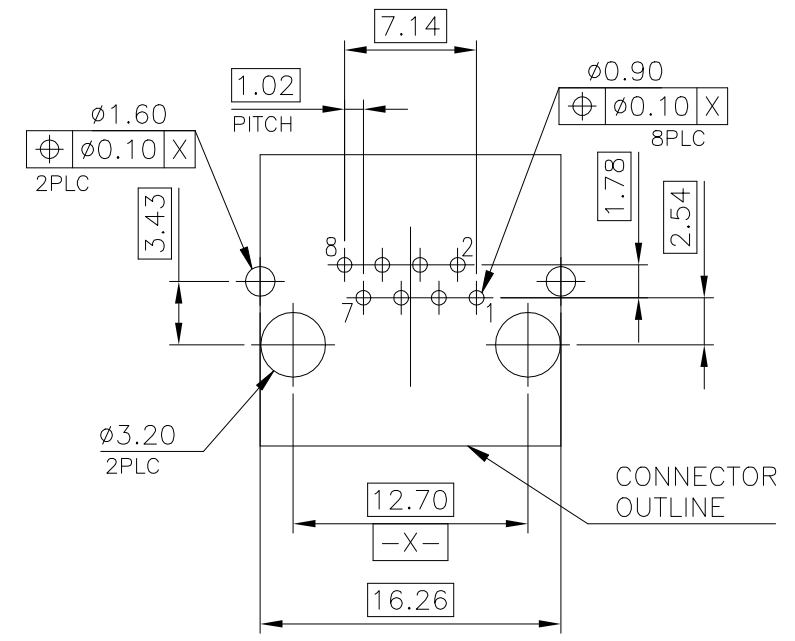
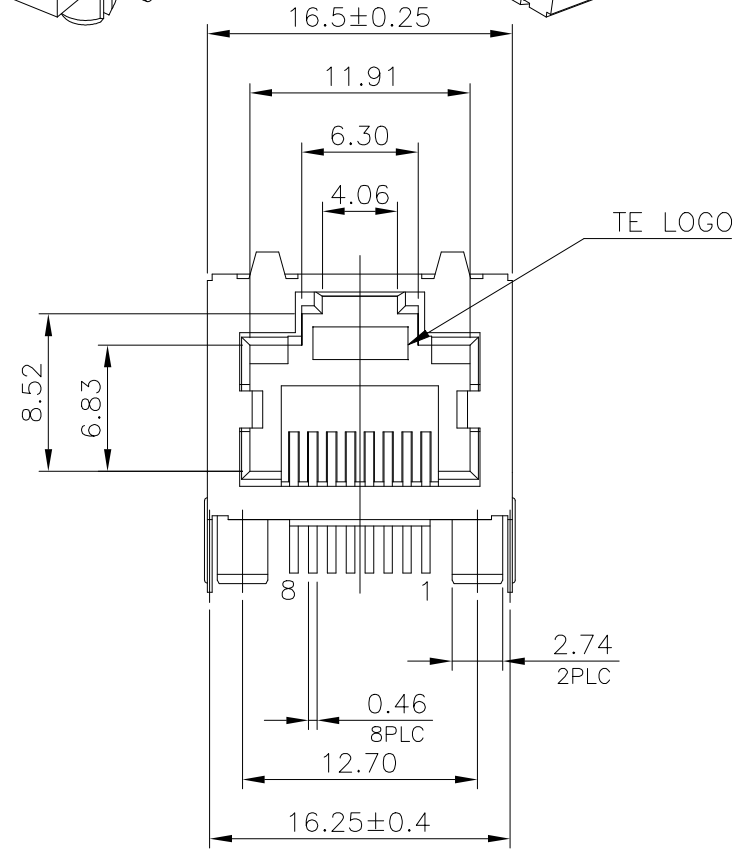
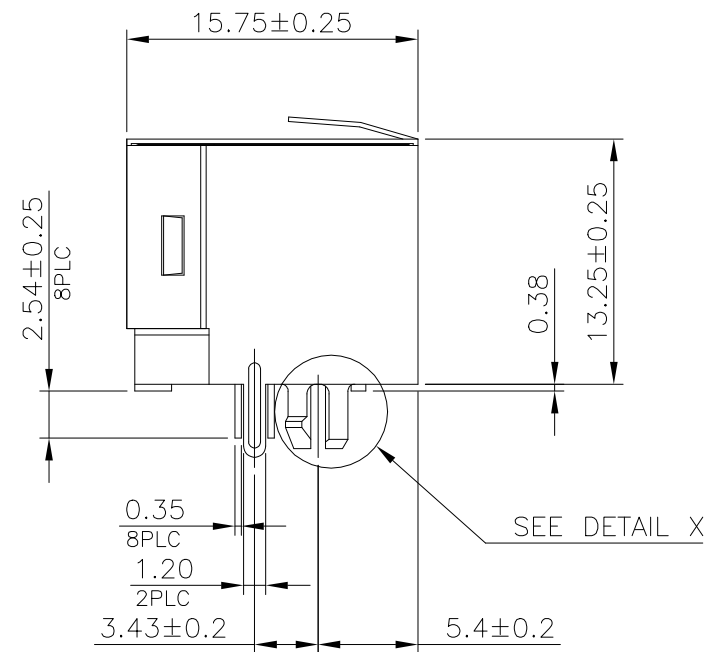
THIS DRAWING IS A CONTROLLED DOCUMENT.		DWN	O. HU	22OCT2007	 TE Connectivity	NAME	MODULAR JACK, RJ45, SINGLE				
DIMENSIONS: mm		CHK	S. HOU	22OCT2007			PRODUCT SPEC	-			
TOLERANCES UNLESS OTHERWISE SPECIFIED:		APVD	W.J. KE	22OCT2007				APPLICATION SPEC	-		
0 PLC ± - 1 PLC ± 0.3 2 PLC ± 0.2 3 PLC ± 0.15 4 PLC ± - ANGLES ± 3°		108-57535		SIZE					CAGE CODE	DRAWING NO	RESTRICTED TO
MATERIAL SEE NOTE		FINISH SEE NOTE		WEIGHT	-		A300779	C=1775134	-		
CUSTOMER DRAWING					SCALE	1:1	SHEET	1 of 4	REV	B	

THIS DRAWING IS UNPUBLISHED. RELEASED FOR PUBLICATION  
 © COPYRIGHT - By - ALL RIGHTS RESERVED.

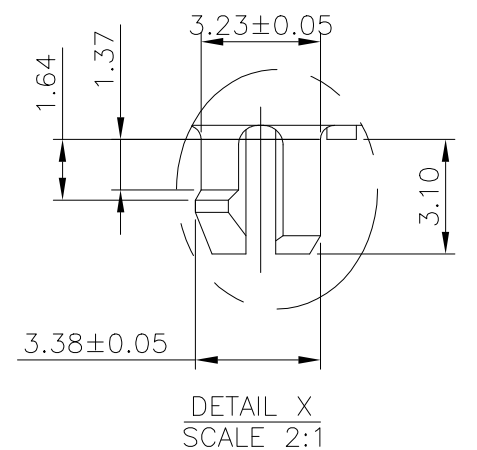
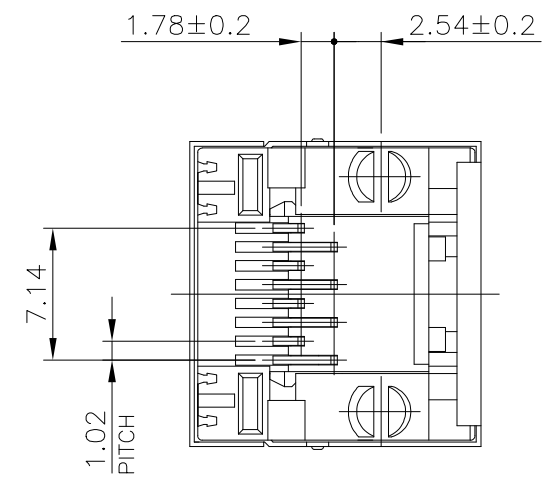
REVISIONS					
P	LTR	DESCRIPTION	DATE	DWN	APVD
-	-	SEE SHEET 1	-	-	-



NOTE:  
 1. MATERIAL:  
 1.1 HOUSING: PA46, WITH 30% GF, UL94V-0, BLACK COLOR.  
 1.2 CONTACTS: PHOSPHOR BRONZE.  
 1.3 SHELL: BRASS.  
 2. FINISH:  
 2.1 CONTACTS: (SEE TABLE) GOLD PLATED ON CONTACT AREA, GOLD FLASH ON SOLDER TAIL, 1.27um [50u"] MIN. NICKEL UNDERPLATED OVERALL.  
 2.2 SHELL: 0.508um [20u"] MIN. NICKEL PLATED.  
 3. WAVE SOLDER CAPABLE TO 265°C PER TE SPEC 109-202, CONDITION B.



RECOMMENDED PCB LAYOUT  
 RECOMMENDED PCB THICKNESS: 1.6mm  
 TOLERANCE: ±0.05 (TOP VIEW)



OBSOLETE A	1.27um[50u"]	1-1775134-4
	0.76um[30u"]	1-1775134-3
	0.38um[15u"]	1-1775134-2
	0.15um[6u"]	1-1775134-1
	MIN. GOLD THICKNESS	PART NUMBER

THIS DRAWING IS A CONTROLLED DOCUMENT.		DWN	O. HU	220CT2007	TE Connectivity NAME MODULAR JACK, RJ45, SINGLE
DIMENSIONS: mm		CHK	S. HOU	220CT2007	
TOLERANCES UNLESS OTHERWISE SPECIFIED:		APVD	W.J. KE	220CT2007	
0 PLC ± - 1 PLC ± 0.3 2 PLC ± 0.2 3 PLC ± 0.15 4 PLC ± - ANGLES ± 3°		PRODUCT SPEC		108-57535	
MATERIAL SEE NOTE		FINISH SEE NOTE		APPLICATION SPEC	SIZE
		WEIGHT		-	CAGE CODE
		CUSTOMER DRAWING		-	DRAWING NO
				-	RESTRICTED TO
				-	SCALE
				-	SHEET
				-	REV
				-	B



THIS DRAWING IS UNPUBLISHED.

RELEASED FOR PUBLICATION

ALL RIGHTS RESERVED.

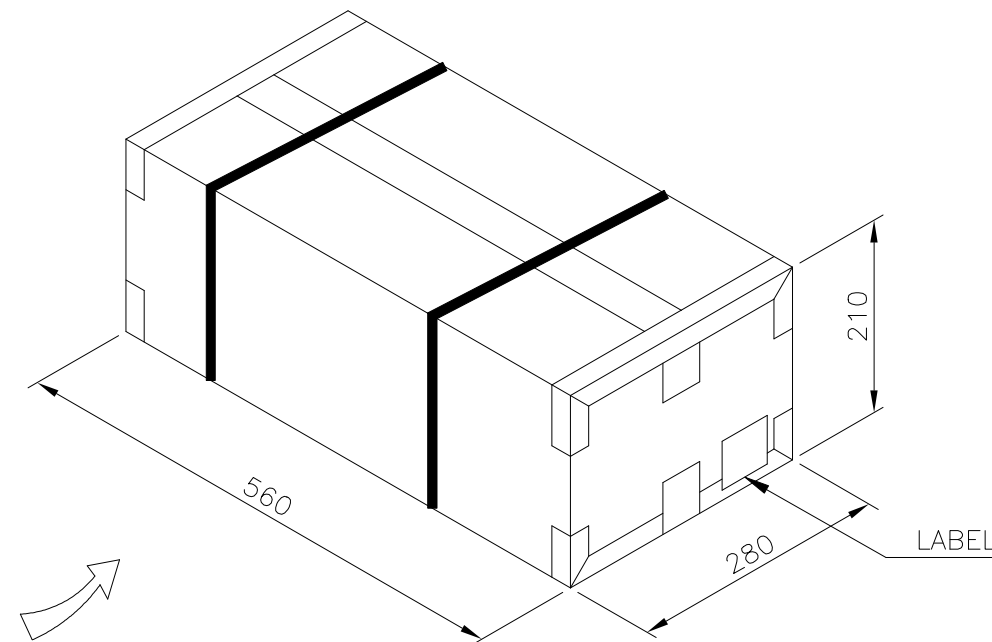
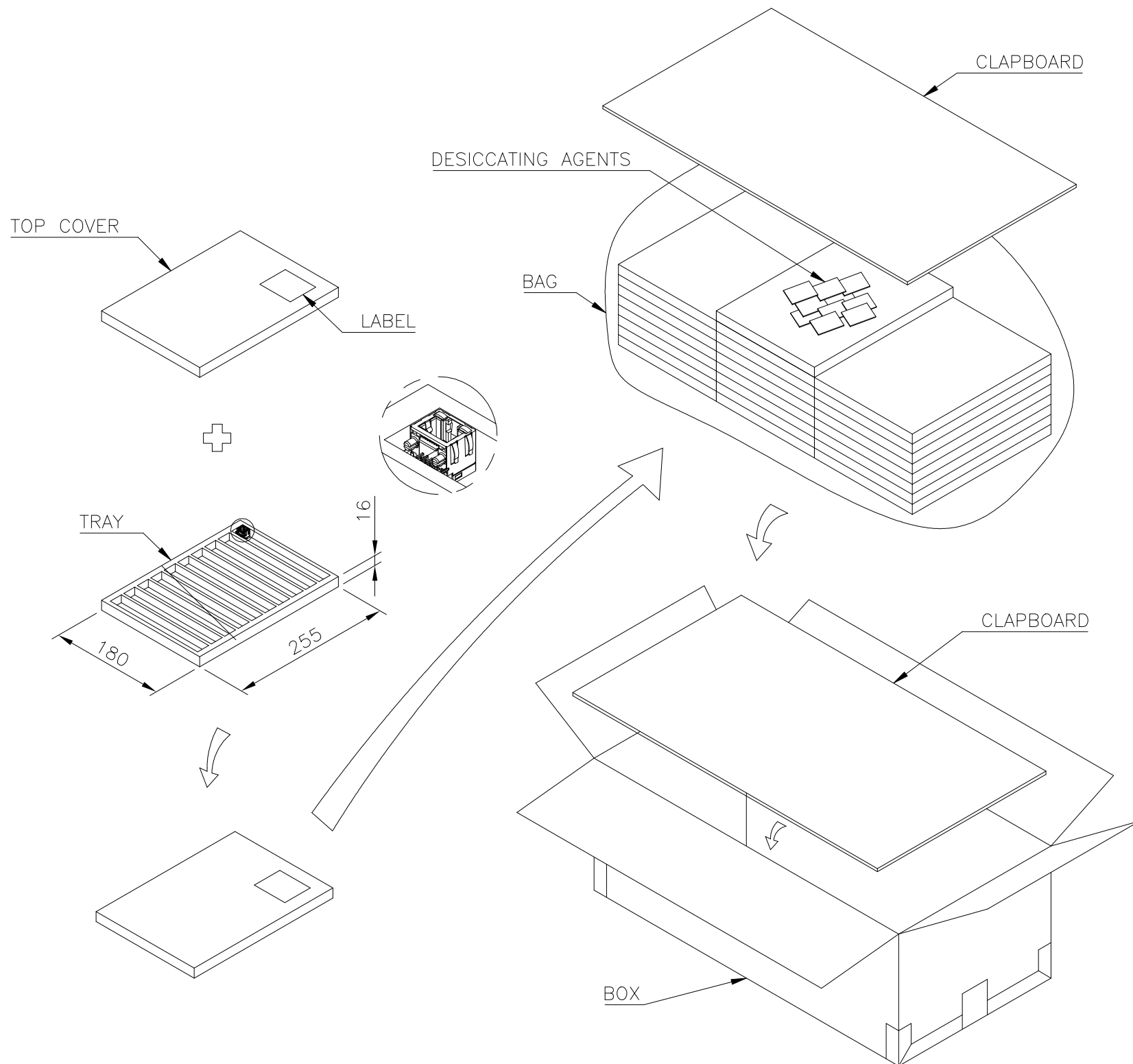
© COPYRIGHT - By -

REVISIONS

P	LTR	DESCRIPTION	DATE	DWN	APVD
-	-	SEE SHEET 1	-	-	-

NOTES:

- MATERIAL:  
TRAY: PVC.  
CARTON: CORRUGATED FIBER.  
BOX: CORRUGATED FIBER.
- DIMENSION: SEE DRAWING
- QUANTITY: SEE TABLE
- WEIGHT: SEE TABLE



8.26 KG	7.26 KG	100	25	2500	2-1775134-X
14.15 KG	12.15 KG				1-1775134-X
12.7 KG	10.7 KG	90		2250	1775134-X
GROSS WEIGHT	NET WEIGHT	PCS/TRAY	TRAY/BOX	PCS/BOX	PART NUMBER

THIS DRAWING IS A CONTROLLED DOCUMENT.		DWN	O. HU	22OCT2007	<b>TE</b> TE Connectivity											
DIMENSIONS: mm		CHK	S. HOU	22OCT2007												
TOLERANCES UNLESS OTHERWISE SPECIFIED:		APVD	W.J. KE	22OCT2007												
<table border="0"> <tr><td>0 PLC</td><td>± -</td></tr> <tr><td>1 PLC</td><td>± 0.3</td></tr> <tr><td>2 PLC</td><td>± 0.2</td></tr> <tr><td>3 PLC</td><td>± 0.15</td></tr> <tr><td>4 PLC</td><td>± -</td></tr> <tr><td>ANGLES</td><td>± 3'</td></tr> </table>		0 PLC	± -	1 PLC		± 0.3	2 PLC	± 0.2	3 PLC	± 0.15	4 PLC	± -	ANGLES	± 3'	NAME	
0 PLC	± -															
1 PLC	± 0.3															
2 PLC	± 0.2															
3 PLC	± 0.15															
4 PLC	± -															
ANGLES	± 3'															
MATERIAL: SEE NOTE		FINISH: SEE NOTE		PRODUCT SPEC: 108-57535	APPLICATION SPEC: -											
		WEIGHT	0	SIZE: A3	CAGE CODE: 00779											
		CUSTOMER DRAWING		DRAWING NO: 1775134	RESTRICTED TO: -											
		SCALE	1:1	SHEET	4 OF 4											
				REV	B											