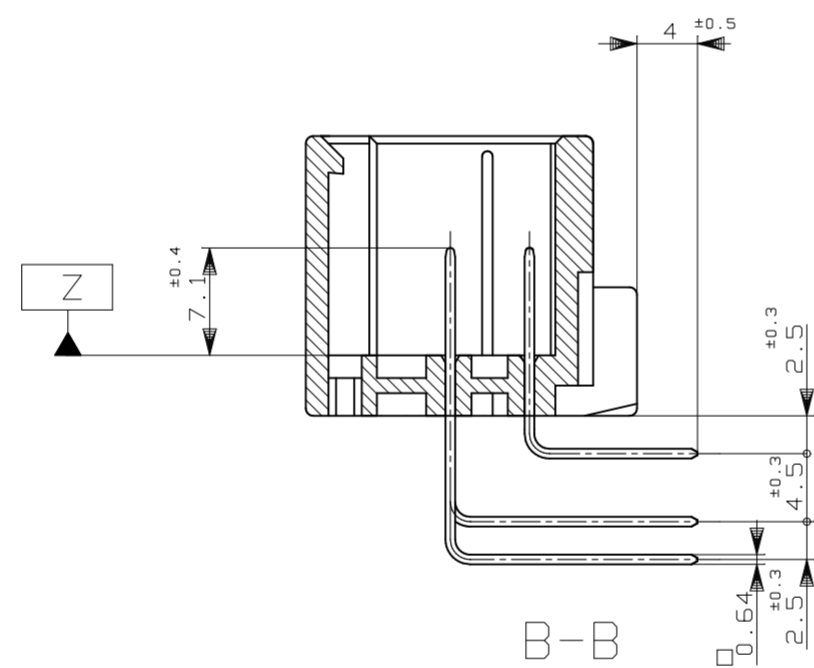
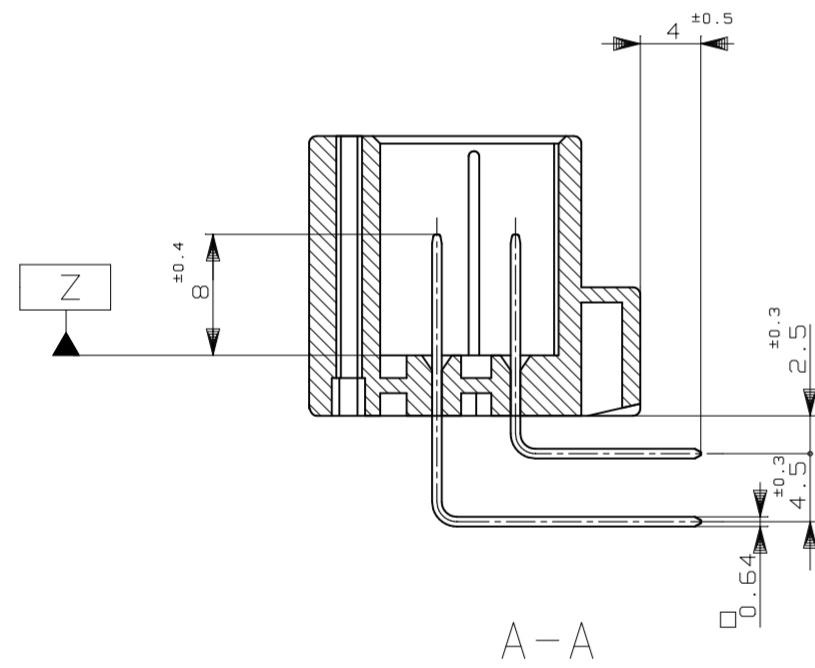
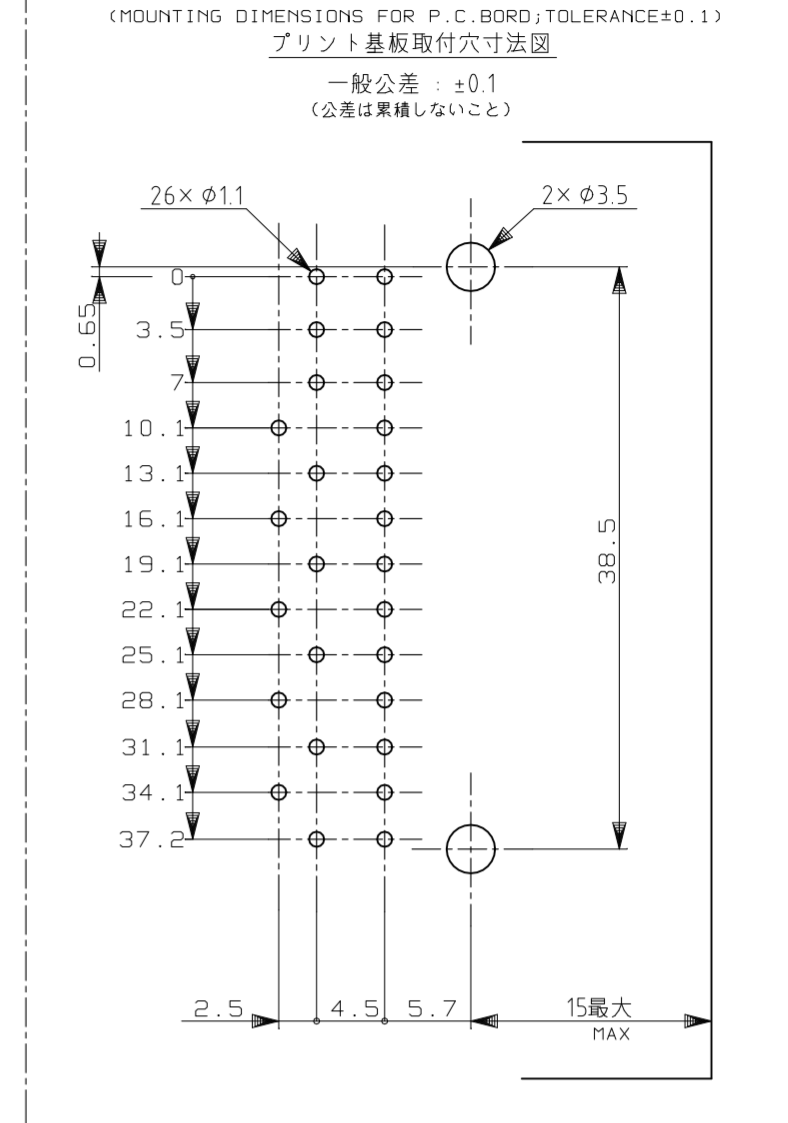
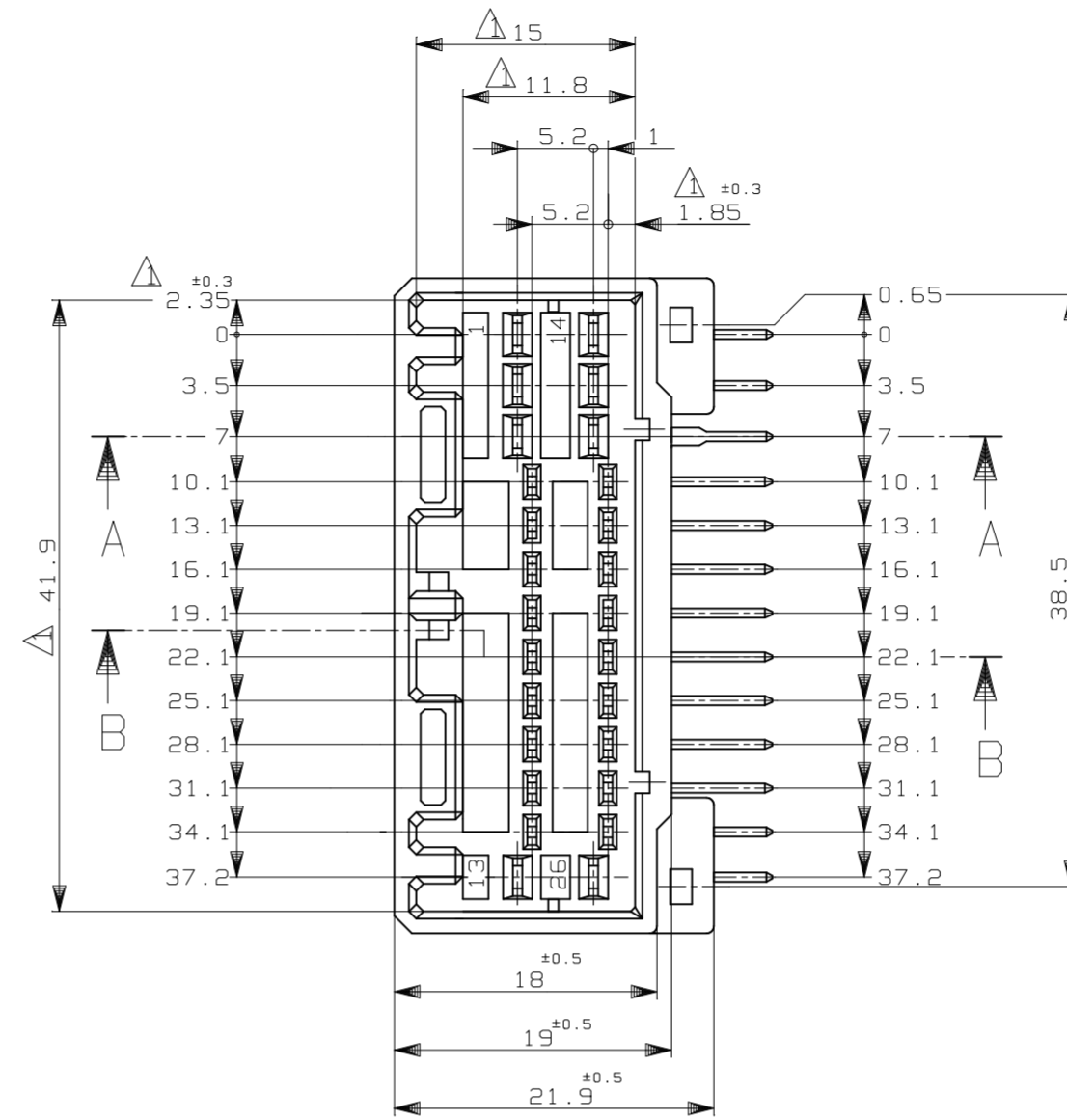
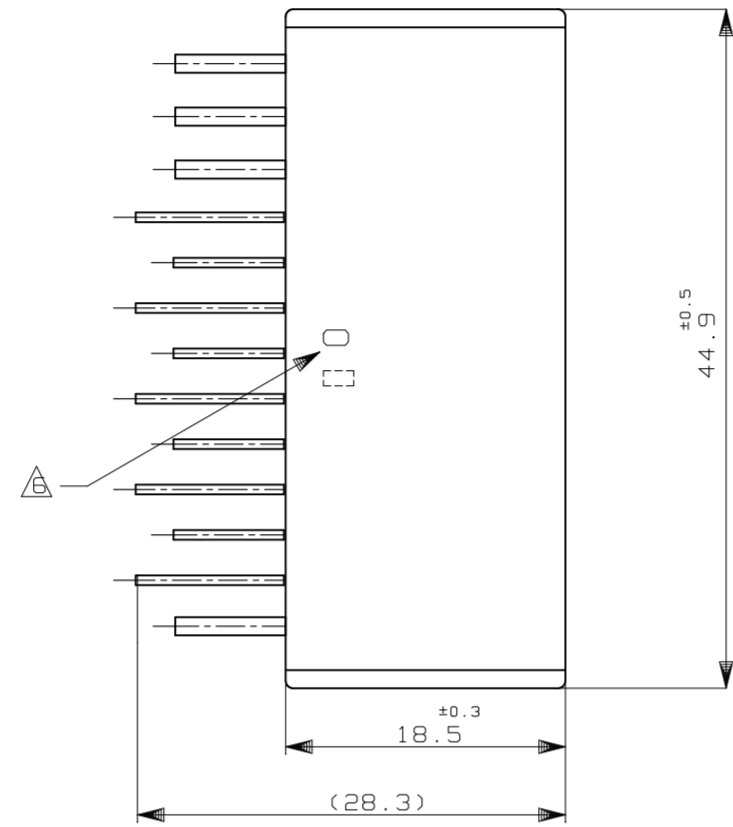
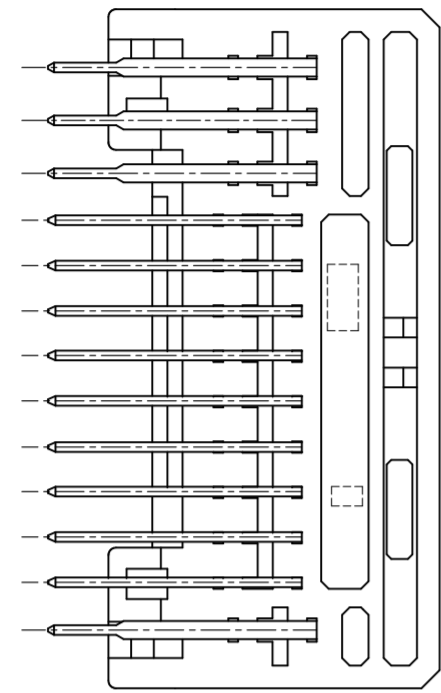
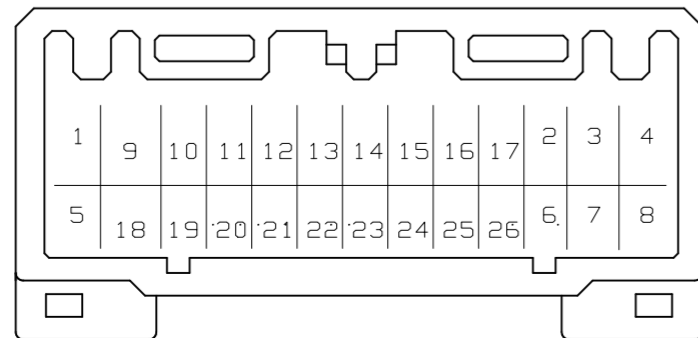


REVISIONS					
P	LTR	DESCRIPTION	DATE	DWN	APVD
H3	REVISED	ECR-15-010709	19AUG2015	KF	RK
H4	REVISED PER	ECR-22-154840	06DEC2022	RK	MT



- △ Z 面から2mmの範囲で測定
- 2. 嵌合相手ハウジング型: 176204, 917997
- 3. 推奨取付ねじ: JIS B1115, B1122 タッピンねじ, なべ2種
呼び径3, 長さ6mm以下 (締付けトルク: 0.4N-m(4Kg-cm)以下)
- 4. 適用製品規格番号: 108-5280, 108-5342
- △ 回路番号
パワー回路 1 ~ 8
シグナル回路 9 ~ 26
- △ 適用製品型番のプリフィックス及びIDマークを
カウ-ホットマークにて表示

- △ MUST BE KEPT BETWEEN Z AND 2
- 2 THE MATING PLUG HSG.PART NUMBER;176204, 917997
- 3 RECOMMENDED MOUNTING SCREW;3mmDIA,6mmLENGTH(MAX.)
PAN HEAD,CLASS 2 TAPPING SCREW SPECIFIED IN JIS
B1115,B1122
(TIGHTENING TORQUE;0.4N-m(4Kg-cm)MAX.)
- 4 APPLICABLE PRODUCT SPEC NO.;108-5280, 108-5342
- △ CIRCUIT NUMBER
POWER CIPCUIT NO. 1 ~ 8
SIGNAL CIRCUIT NO. 9 ~ 26
- △ INDICATED PREFIX AND ID MARK OF PRODUCT P/N BY HOT MARK



OBSOLETE	51	SELECTIVE-TIN (MATTE)	SELECTIVE GOLD × 26	1 ~ 8	9 ~ 26	WHITE	1-5176206-1
	53	SELECTIVE-TIN (MATTE)	SELECTIVE GOLD × 2		18, 23	LIGHT GRAY	3-5176206-9
	51	PRE-TIN × 24	SELECTIVE GOLD × 26	1 ~ 8	9 ~ 26	ORANGE	1-5176206-8
OBSOLETE	1	TIN-LEAD	SELECTIVE GOLD × 26	1 ~ 8	9 ~ 26	ORANGE	1-176206-8
OBSOLETE	1	TIN-LEAD	SELECTIVE GOLD × 26	1 ~ 8	9 ~ 26	WHITE	1-176206-1
	3	TIN-LEAD	SELECTIVE GOLD × 2		18, 23	LIGHT GRAY	3-176206-9
OBSOLETE	2	TIN-LEAD	PRE-TIN × 24		18, 22, 23	LIGHT GRAY	2-176206-6
OBSOLETE	0	PRE-TIN × 23	SELECTIVE GOLD × 3				
OBSOLETE	0	PRE-TIN × 26				WHITE	176206-1
MARKING		SOLDERING SIDE 半田付け面	CONTACT SIDE 接触部側	POWER CIRCUIT NO. パワー回路	SIGNAL CIRCUIT NO. シグナル回路	COLOR 色	PART NUMBER 製品型番
		CONTACT FINISH コンタクト仕上		GOLD PLATED CIRCUIT NO. 金めっき回路番号			

THIS DRAWING IS A CONTROLLED DOCUMENT.

DIMENSIONS: mm

TOLERANCES UNLESS OTHERWISE SPECIFIED:

0 PLC	±
1 PLC	-
2 PLC	-
3 PLC	-
4 PLC	-
ANGLES	±

MATERIAL: HOUSING : PBT, CONTACT : BRASS

FINISH: SEE TABLE

TE Connectivity logo

040/070 SERIES HYBRID I/O CONNECTOR
26POSITION CAP HOUSING ASSEMBLY

SIZE: A2, CAGE CODE: 00779, DRAWING NO: C=176206, SCALE: 2:1, SHEET: 1 of 1, REV: H4