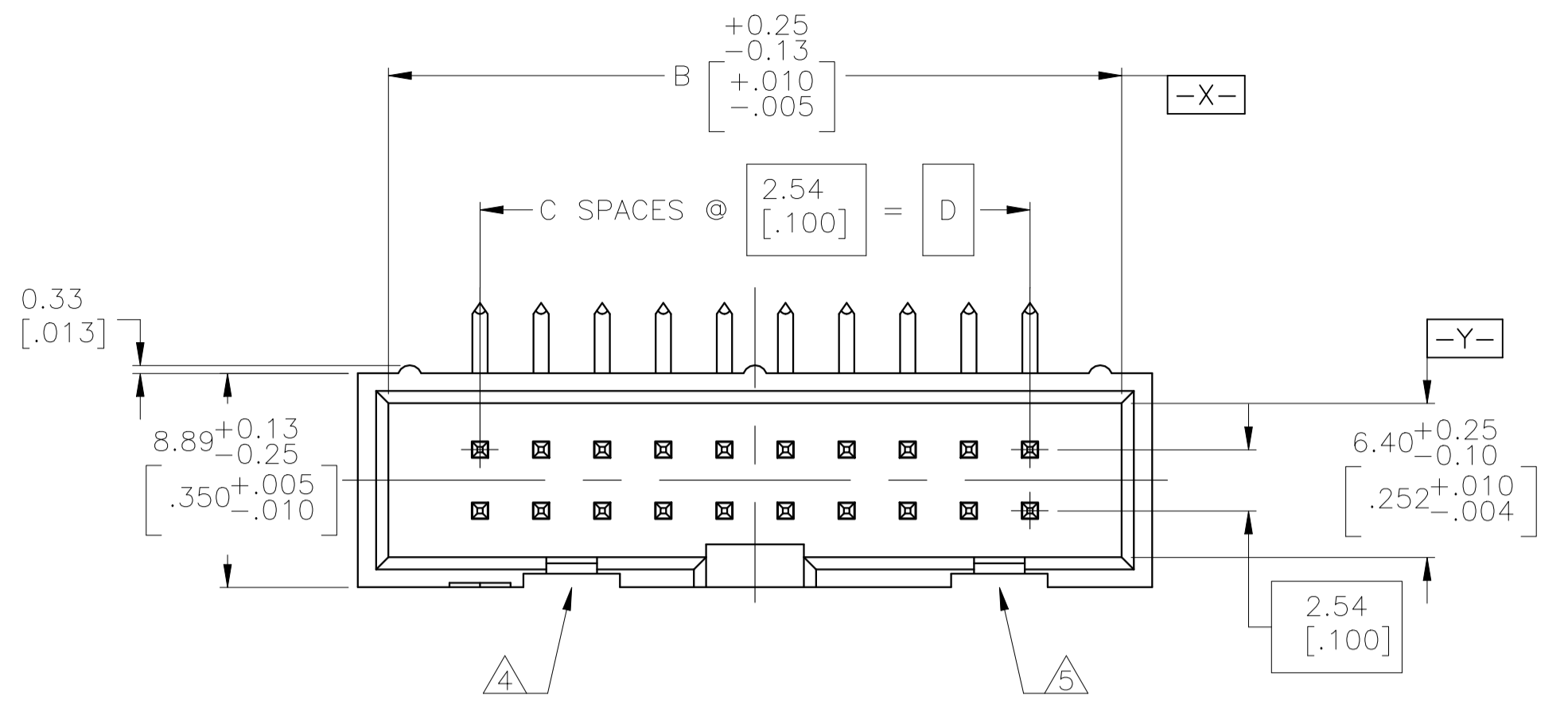
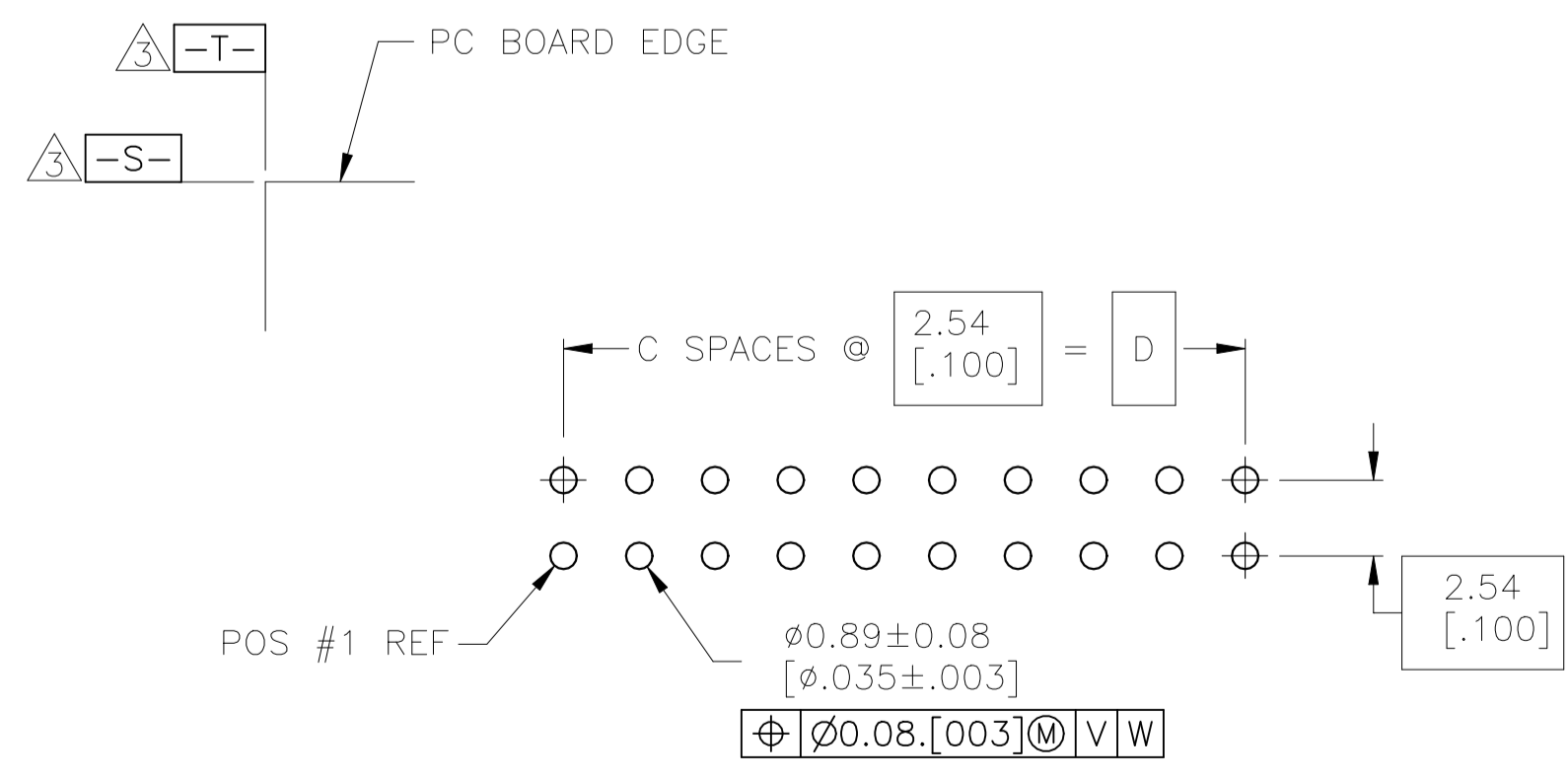
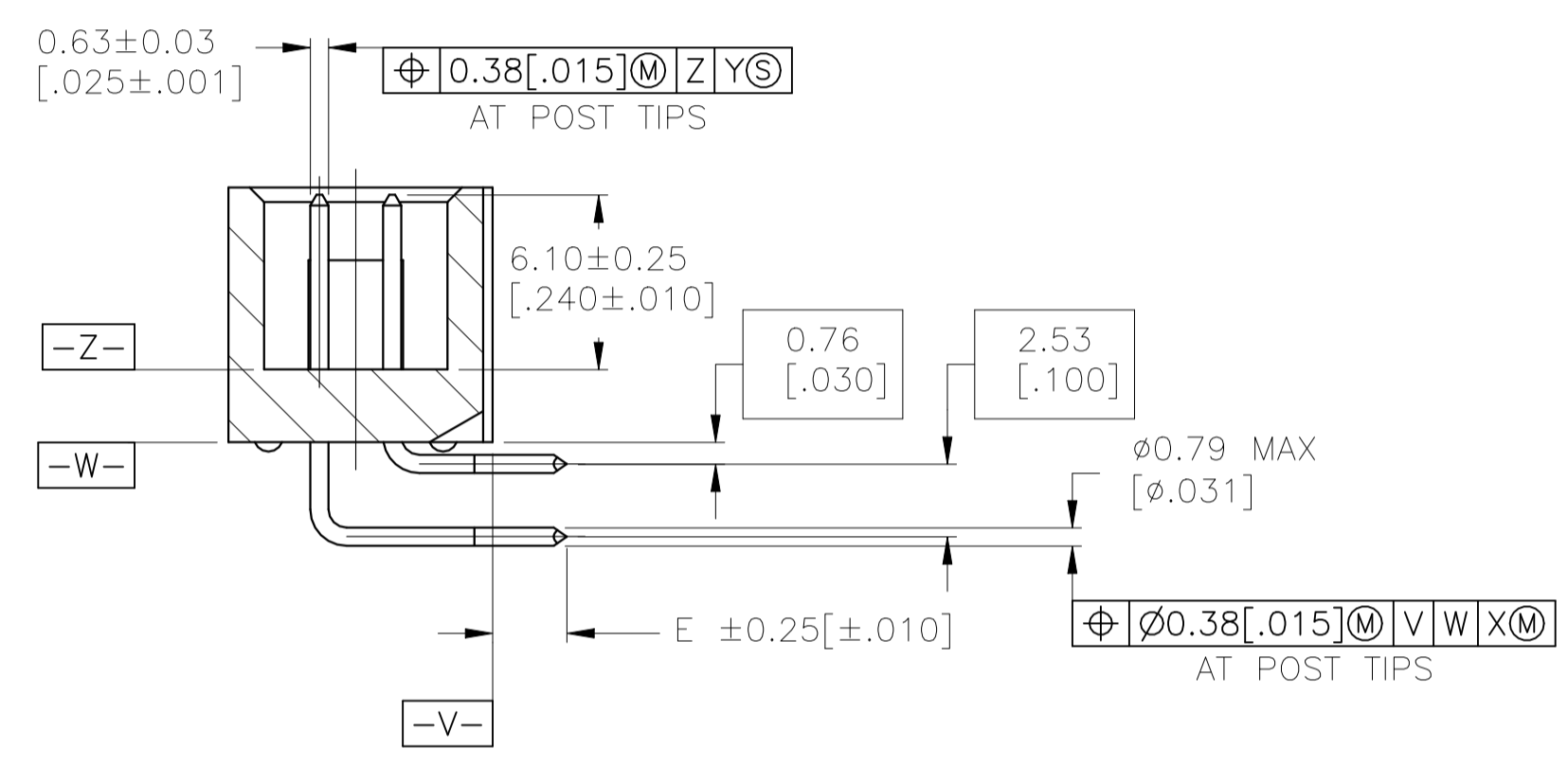
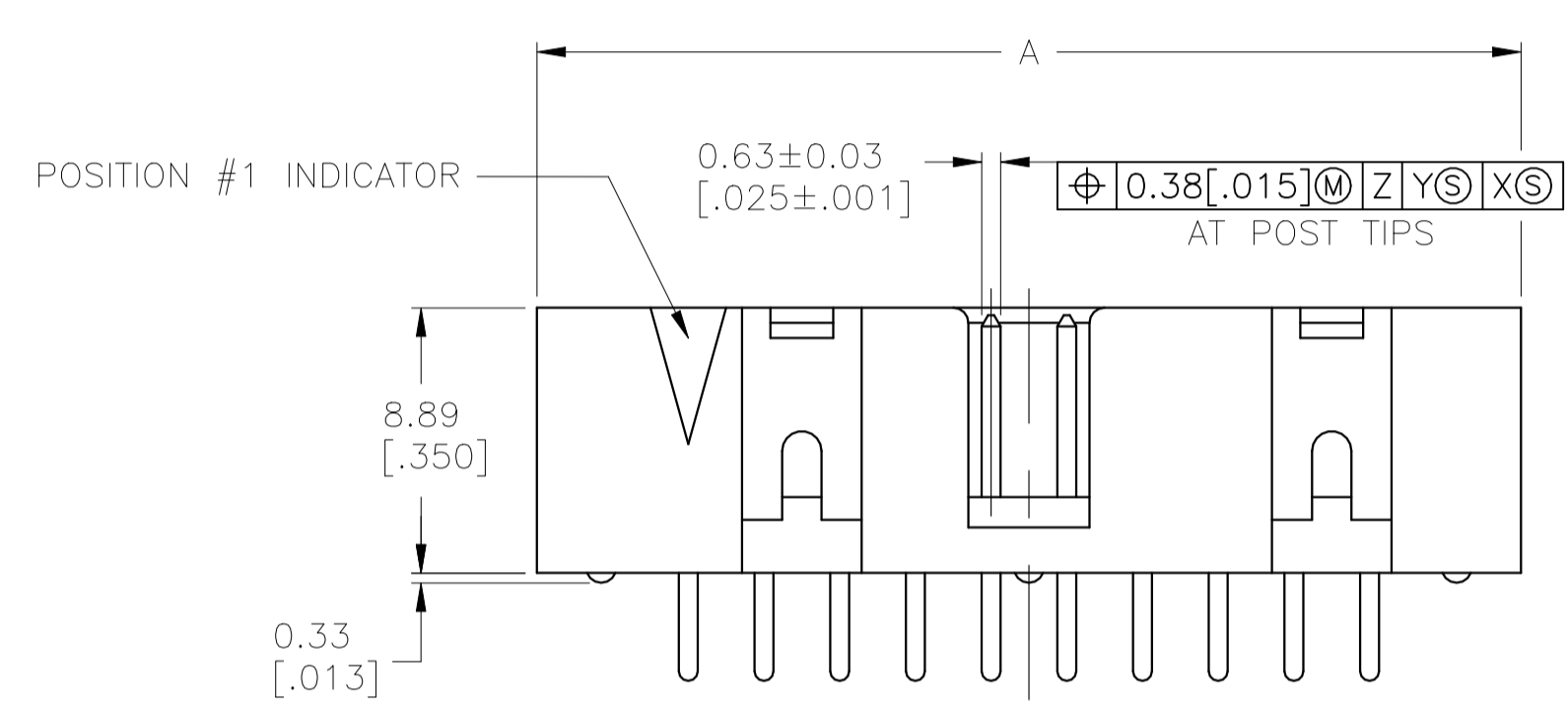


REVISIONS					
REV	DATE	BY	CHK	APPV	DESCRIPTION
H3	24MAR2023	GC	WH		REVISED PER ECR-22-161539



- △ HOUSING: PBT, UL94V-0, COLOR (SEE TABLE).
- △ POSTS: PHOSPHOR BRONZE/BRASS
- △ POSTS: 0.00076[.000030] MIN GOLD ON MATING AREA, 0.00254[.000100] MIN TIN ON SOLDER END, ALL OVER 0.00127[.000050] MIN NICKEL ON ENTIRE POST.
- △ DATUMS S & T TO BE ESTABLISHED BY CUSTOMER.
- △ NO KEYING SLOT ON THIS END FOR 6, 10, 12 & 14 POSITION ASSEMBLIES.
- △ NO KEYING SLOT ON THIS END FOR 6 & 10 POSITION ASSEMBLIES.



RECOMMENDED PC BOARD LAYOUT (VIEWED FROM CONNECTOR SIDE)

REV	DESCRIPTION	DATE	BY	CHK	APPV	DESCRIPTION	
4.06	BLUE	10.16	4	17.78	20.32	10 4-1761605-0	
	BLUE	78.74	31	86.36	88.90	64 3-1761605-7	
	BLUE	60.96	24	68.58	71.12	50 3-1761605-5	
	BLUE	53.34	21	60.96	63.50	44 3-1761605-4	
	BLUE	48.26	19	55.88	58.42	40 3-1761605-3	
	BLUE	43.18	17	50.80	53.34	36 3-1761605-2	
	BLUE	40.64	16	48.26	50.80	34 3-1761605-1	
	BLUE	35.56	14	43.18	45.72	30 3-1761605-0	
	BLUE	30.48	12	38.10	40.64	26 2-1761605-9	
	BLUE	27.94	11	35.56	38.10	24 2-1761605-8	
	BLUE	22.86	9	30.48	33.02	20 2-1761605-7	
	BLUE	17.78	7	25.40	27.94	16 2-1761605-6	
	BLUE	15.24	6	22.86	25.40	14 2-1761605-5	
	BLUE	12.70	5	20.32	22.86	12 2-1761605-4	
	BLUE	10.16	4	17.78	20.32	10 2-1761605-3	
	BLUE	5.08	2	12.70	15.24	6 2-1761605-1	
OBSOLETE	BLACK	73.66	29	81.28	83.82	60 1-1761605-6	
OBSOLETE	BLACK	60.96	24	68.58	71.12	50 1-1761605-5	
OBSOLETE	BLACK	53.34	21	60.96	63.50	44 1-1761605-4	
OBSOLETE	BLACK	48.26	19	55.88	58.42	40 1-1761605-3	
OBSOLETE	BLACK	40.64	16	48.26	50.80	34 1-1761605-1	
OBSOLETE	BLACK	35.56	14	43.18	45.72	30 1-1761605-0	
OBSOLETE	BLACK	30.48	12	38.10	40.64	26 1761605-9	
OBSOLETE	BLACK	22.86	9	30.48	33.02	20 1761605-7	
OBSOLETE	BLACK	17.78	7	25.40	27.94	16 1761605-6	
OBSOLETE	BLACK	15.24	6	22.86	25.40	14 1761605-5	
OBSOLETE	BLACK	10.16	4	17.78	20.32	10 1761605-3	
E	HOUSING COLOR	D	C	B	A	NO OF POS	PART NUMBER

THIS DRAWING IS A CONTROLLED DOCUMENT.

DIMENSIONS: mm [INCHES]

TOLERANCES UNLESS OTHERWISE SPECIFIED:

0. PLC	±	-
1. PLC	±	-
2. PLC	±	-
3. PLC	±	0.13[.005]
4. PLC	±	-
ANGLES	±	-

MATERIAL: △ FINISH: △

APPROVED: J. GERACE 11FEB05, S. BOLASH 11FEB05, M. WALMSLEY 11FEB05

NAME: HEADER ASSEMBLY, RIGHT ANGLE, LOW PROFILE, IDC

APPLICATION SPEC: -

SIZE: A1 CAGE CODE: 00779 DRAWING NO: 1761605

WEIGHT: 0.000000

CUSTOMER DRAWING

SCALE: 4:1 SHEET: 1 OF 1 REV: H3

STE TE Connectivity

**COPYRIGHT 2005
TE CONNECTIVITY CORP
ALL RIGHTS RESERVED**