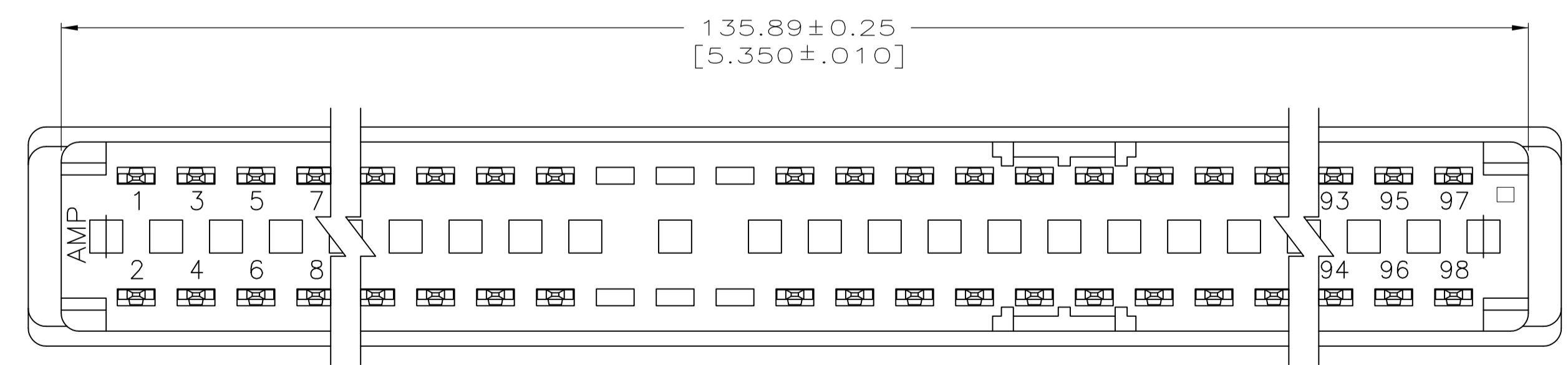
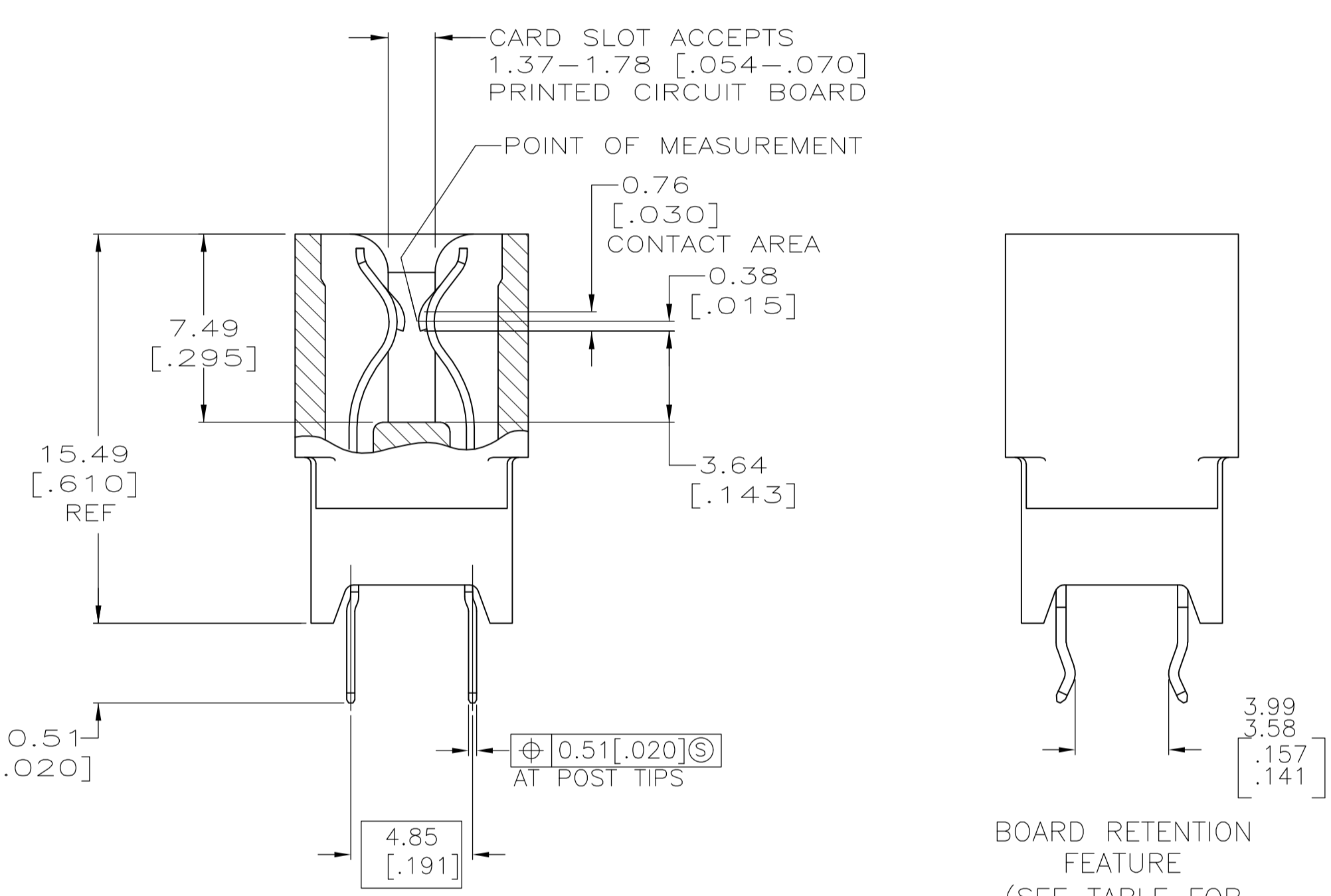
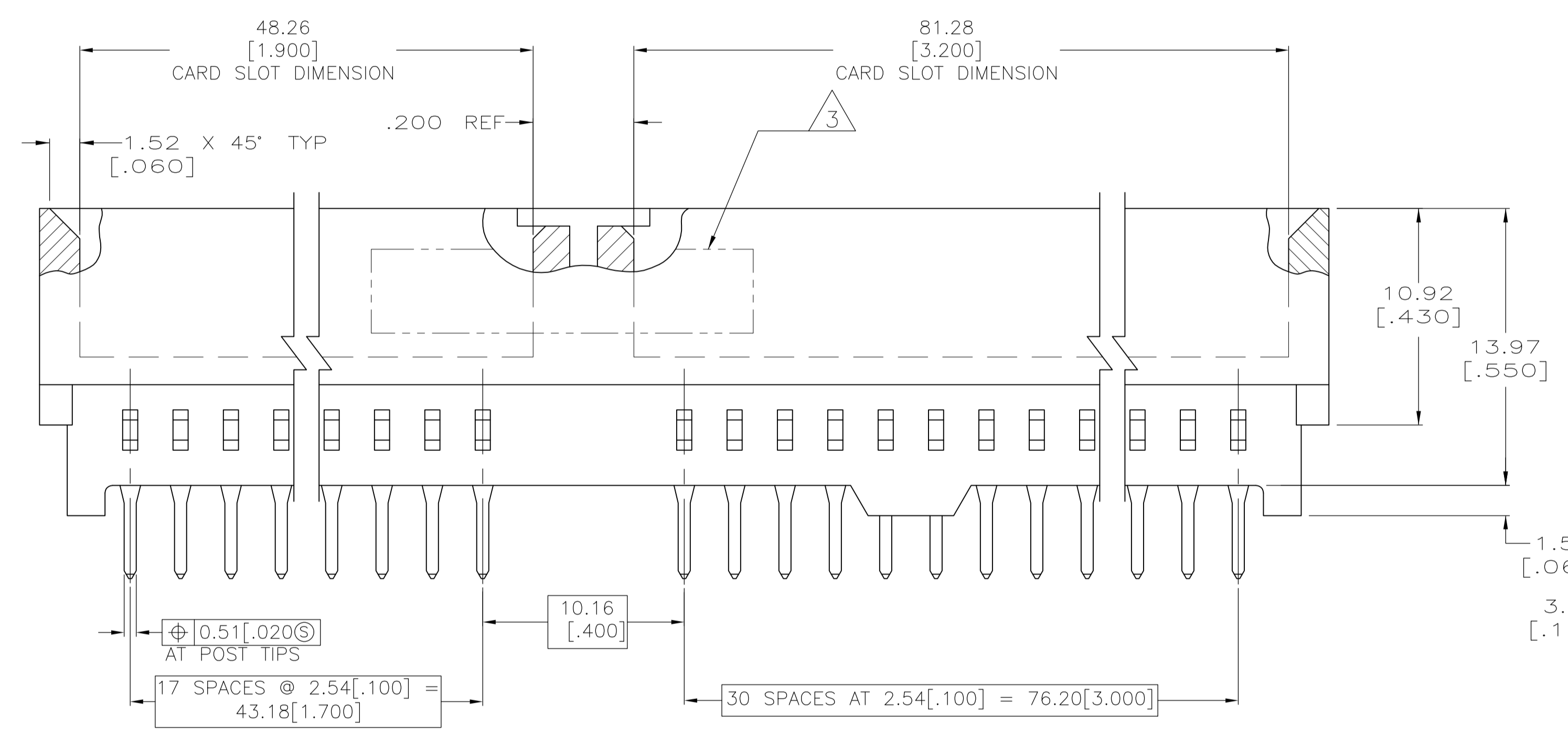
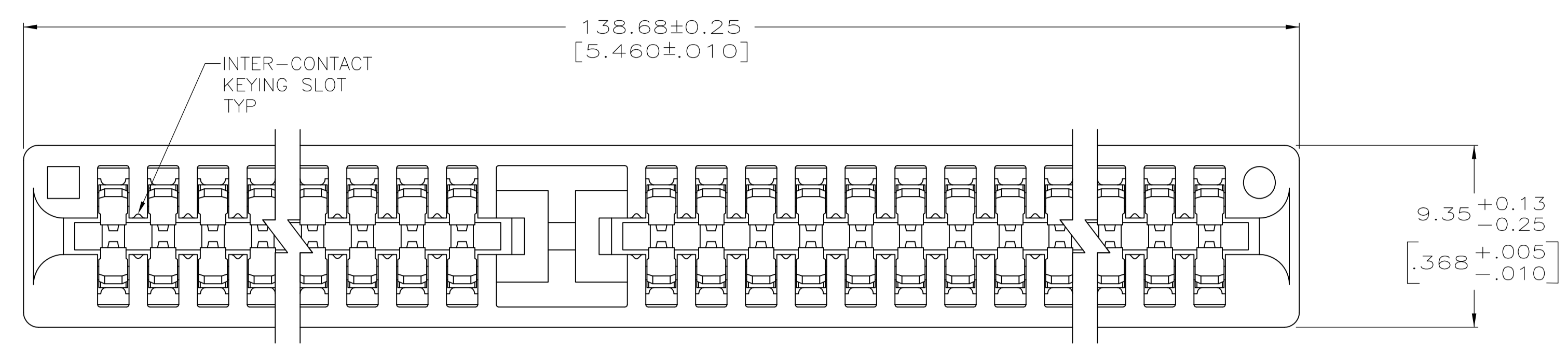


- MATERIAL:  
HOUSING: GLASS FILLED POLYESTER; COLOR: BLACK.  
CONTACT: PHOS BRONZE
- FINISH:  
(SEE TABLE FOR GOLD PLATING) IN CONTACT AREA,  
0.00254[.000100] MIN TIN-LEAD ON SOLDER POSTS, ALL  
OVER 0.00127[.000050] MIN NICKEL
- AMP LOGO, TE PART NUMBER, DATE CODE AND CSA LOGO INK  
STAMPED WHITE (HOT STAMPED OR LAZER PRINTED) IN THE APPROXIMATE  
AREA SHOWN, EITHER SIDE PERMISSABLE, WHEN HOUSING SIZE PERMITS
- DATUMS AND BASIC DIMENSIONS ESTABLISHED BY CUSTOMER
- THE RETENTIVE FEATURE OF THIS CONNECTOR IS DESIGNED FOR  
FULL SEATING IN 1.57±0.20[.062±.008] THICK CIRCUIT BOARDS.  
FOR APPLICATIONS IN BOARDS OF OTHER THICKNESSES, CONTACT  
TYCO ELECTRONICS
- FINISH: GOLD FLASH
- FINISH: 0.00038[.000015] MIN
- FINISH: 0.00076[.000030] MIN



<b>OBSOLETE</b>	176139-4
PART NUMBER	

5, 6, 31, 32, 41, 42, 93, 94	△8	49	176139-3
5, 6, 31, 32, 41, 42, 93, 94	△7	49	176139-2
5, 6, 31, 32, 41, 42, 93, 94	△6	49	176139-1
BOARD RETENTION FEATURE LOCATION (SEE DETAIL Y)	FINISH	NO OF POSN	PART NUMBER

THIS DRAWING IS A CONTROLLED DOCUMENT.

DIMENSIONS: mm [INCHES]	TOLERANCES UNLESS OTHERWISE SPECIFIED:	DWN RB/LA.MAYER 08MAR2008	AWF
0 PLC ± -	1 PLC ± -	CHK A.W.FRANTUM 08MAR2008	AWF
2 PLC ± 0.13 [.005]	3 PLC ± -	APVD S.FLICKINGER 08MAR2008	AWF
4 PLC ± -	ANGLES ± °	NAME	NAME
MATERIAL SEE NOTE 1	FINISH SEE NOTE 2	PRODUCT SPEC 108-1248	CONNECTOR ASSY, EDGE CARD, 2.54 [.100] CENTERLINE
		APPLICATION SPEC 114-13018	
		SIZE A1	00779
		WEIGHT	176139
		CUSTOMER DRAWING	SCALE 5:1 SHEET 1 OF 2 REV AA

