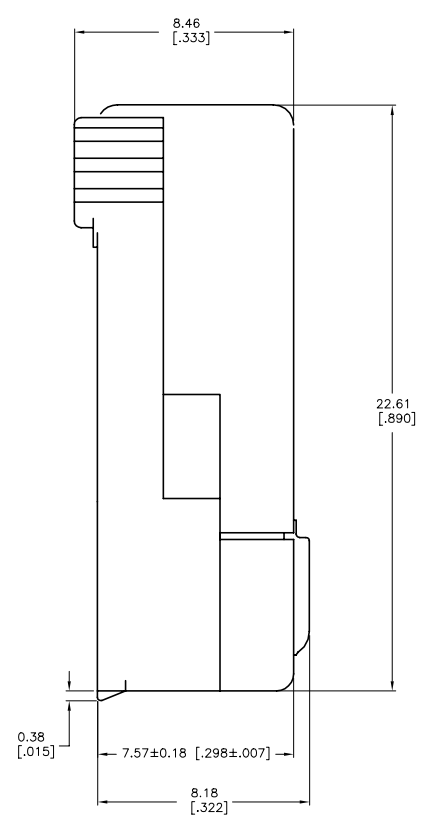
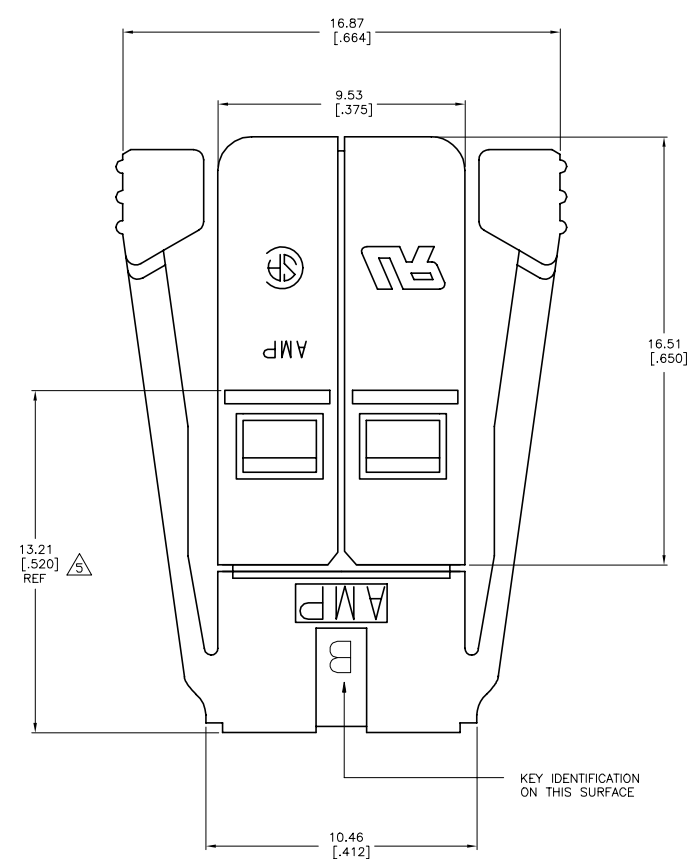
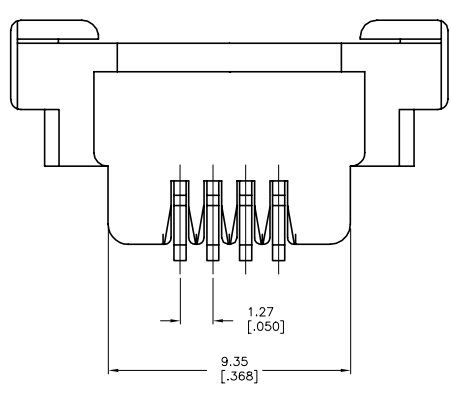


REVISIONS				
TR	LEN	DESCRIPTION	DATE	BYN / APP
B3		ECO-20-007187	160CT2020	RR / SH



1. PREFIX AND SUFFIX NUMBERS MUST MATCH THOSE ON RECEPTACLE FOR PARTS TO MATE.
2. MATERIAL:
  - HOUSING- POLYCARBONATE
  - CONTACT- COPPER ALLOY
  - SHIELD- BRASS
3. FINISH:
  - HOUSING- SMOKE BROWN
  - CONTACT- 0.00254[.000100] GOLD IN CONTACT AREA, GOLD FLASH ON REMAINDER, BOTH OVER 0.00254[.000100] MIN NICKEL ON ENTIRE CONTACT OVER 0.00203[.000080] COPPER ON ENTIRE CONTACT.
  - SHIELD- BRIGHT TIN 0.00254[.000100] MIN OVER 0.00127[.000050] MIN NICKEL.
4. FOR TERMINATION OF 26 OR 28 AWG, 7 STRANDED FLAT RIBBON CABLE WITH 0.89[0.35] TO 0.96[0.38] O.D. PVC CONDUCTOR INSULATION. SEE 520822-1 FOR DETAILS.
5. INSERTION DEPTH INTO RECEPTACLE.
6. BULK CABLE PER ABOVE SPECIFICATIONS ARE NOT AVAILABLE FROM AMP INC.

KEY IDENTIFICATION ON THIS SURFACE



OBSOLETE	C	-3-1761193-1
	B	2-1761193-1
KEY I.D.		PART NUMBER

THIS DRAWING IS A CONTROLLED DOCUMENT.		DATE: 10FEB2004	BY: B. MCMASTER	10FEB2004
DIMENSIONS: mm (INCHES)		DESIGNED BY: C. SCHUDE	10FEB04	NAME: PLUG ASSEMBLY, SPECIAL, 36 SERIES, FLAT CABLE, SDL.
TOLERANCES UNLESS OTHERWISE SPECIFIED:		APPROVED BY: M. WALKSLEY	10FEB04	PRODUCT SPEC: 108-2047
0 P.L.C.	± -	APPLICATION SPEC: 114-2086		
1 P.L.C.	± -	SIZE: A1		
2 P.L.C.	± 0.38 [0.015]	DATE CODE: 00779		
3 P.L.C.	± -	DRAWING NO: C-1761193		
4 P.L.C.	± -	RESTRICTED TO: -		
MATERIAL: 2	FINISH: 3	WEIGHT: 0.000000	SCALE: 10:1	SHEET 1 OF 1
CUSTOMER DRAWING		REV: B3		