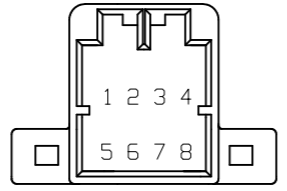
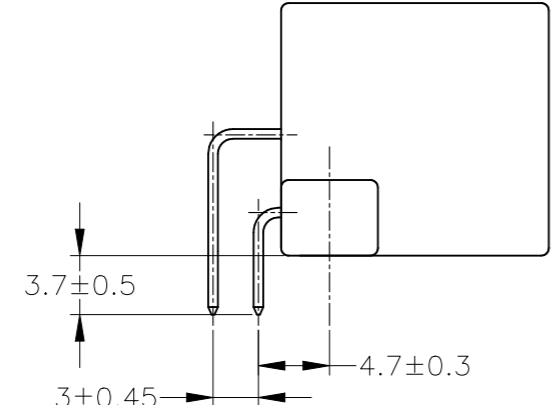
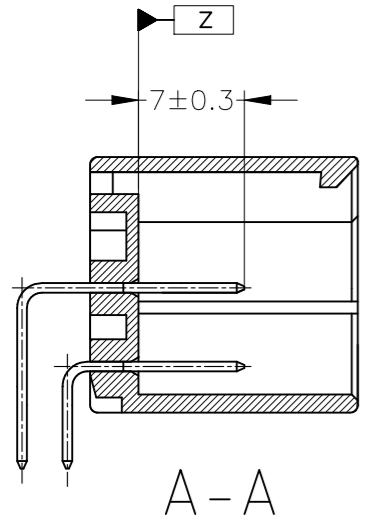
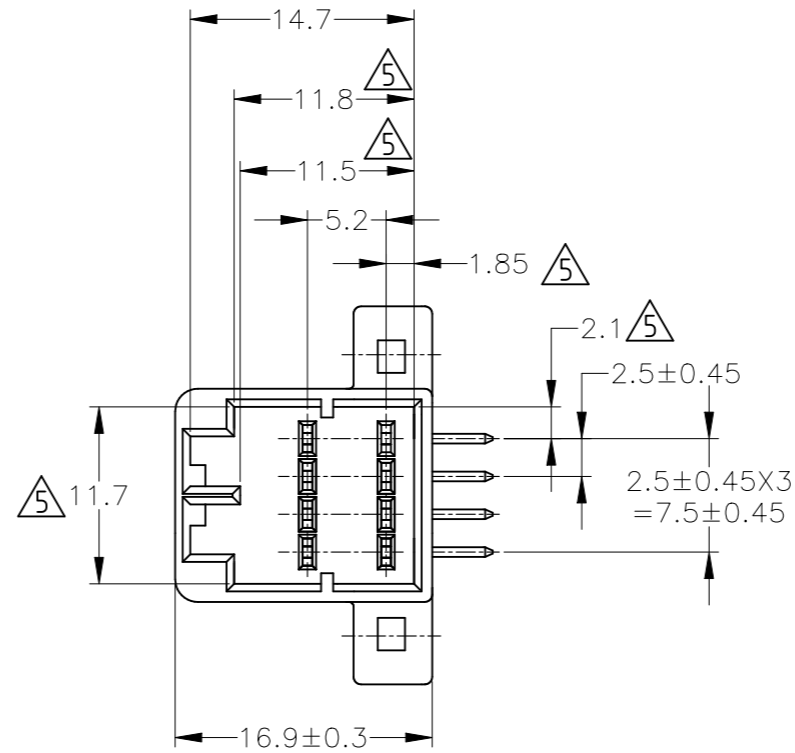
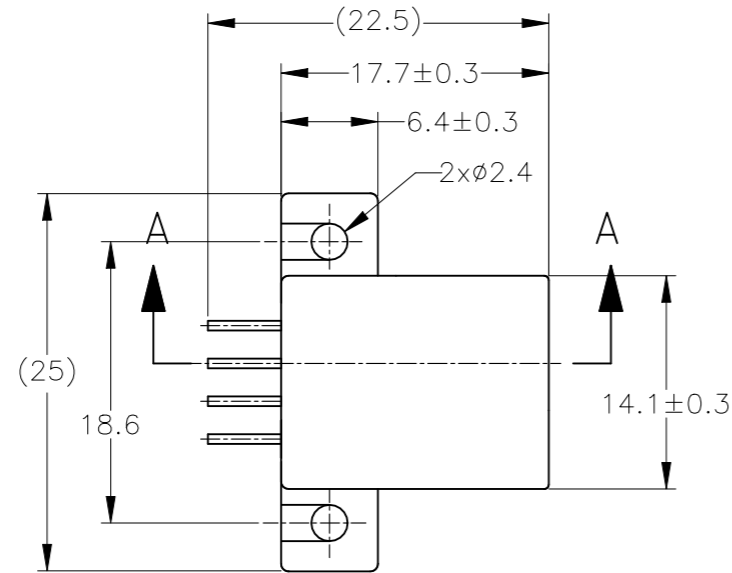
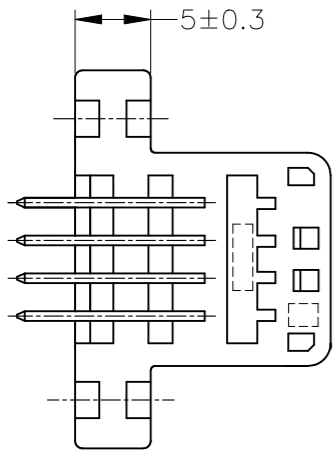
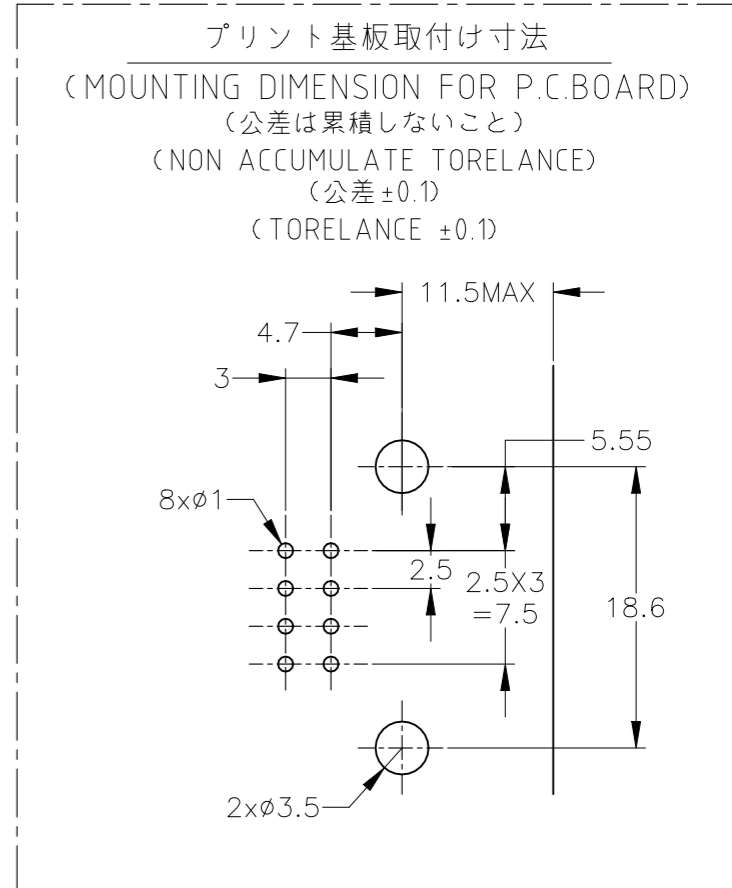


REVISIONS					
変更					
P	LTR	DESCRIPTION	DATE	DWN	APVD
	D9	REVISED PER ECR-22-154022	30NOV2022	RK	MT



- 適用プリント基板厚;1.6mm
 - 推奨取付ネジ; JIS B1115, B1122 タッピングネジ
ナベ2種呼び径3,長さ6mm以上(締付トルク; 0.392N・m 以下)
 - 嵌合相手ハウジング; 175964
 - 適用製品規格番号; 108-5281
- △Z 面より2mmの範囲で測定
△回路番号; 右図参照

- APPLICABLE P.C.B BOARD THICKNESS; 1.6mm
 - RECOMMENDED MOUNTING SCREW 3mm DIA 6mm LENGTH (MIN)
TAPPING SCREW SPECIFIED IN JIS B1115, B1122
(TIGHTENING TORQUE; 0.392N・m MAX)
 - THE MATING PLUG HSG. PART NUMBER; 175964
 - APPLICABLE PRODUCT SPEC NO.; 108-5281
- △Z TO BE MEASURED WITHIN 2mm FROM Z
△CIRCUIT NUMBER

TOLERANCE UNLESS OTHERWISE SPECIFIED: 一般公差

0 < x ≤ 10	: ±0.2
10 < x ≤ 30	: ±0.25
30 < x ≤ 100	: ±0.3

ANGLE ; 角度 : ±3°

OBSOLETE	PRE-TIN X 5				
	SELECTIVE-TIN (MATTE)	SELECTIVE-GOLD X 3	4,7,8	BLACK 黒色	5175973-3
	SELECTIVE-TIN (MATTE)	SELECTIVE-GOLD X 8	1~8	BLACK 黒色	1-5175973-2
OBSOLETE	SELECTIVE-TIN (MATTE)	SELECTIVE-TIN (BRIGHT)	— / —	BLACK 黒色	175973-4
	PRE-TIN X 5		4,7,8	BLACK 黒色	175973-3
	TIN-LEAD	SELECTIVE-GOLD X 3	— / —	BLACK 黒色	175973-2
	PRE-TIN		— / —	GRAY 灰色	175973-1
	半田付け部 SOLDERING SIDE	接触部側 CONTACT SIDE		CIRCUIT NO OF GOLD PLATED CONTACT △金メッキ端子使用回路番号	HOUSING COLOR ハウジング色

THIS DRAWING IS A CONTROLLED DOCUMENT.

DIMENSIONS: 単位: 耗 mm	TOLERANCES UNLESS OTHERWISE SPECIFIED: 一般公差	DWN T.SHINOHARA 12FEB02	TE Connectivity 040 SERIES MULTI-LOCK I/O CONN MK-II 8POSITION CAP HOUSING ASSEMBLY													
	<table border="1"> <tr><td>0 PLC</td><td>± -</td></tr> <tr><td>1 PLC</td><td>± -</td></tr> <tr><td>2 PLC</td><td>± -</td></tr> <tr><td>3 PLC</td><td>± -</td></tr> <tr><td>4 PLC</td><td>± -</td></tr> <tr><td>ANGLES</td><td>± -</td></tr> </table>	0 PLC		± -	1 PLC	± -	2 PLC	± -	3 PLC	± -	4 PLC	± -	ANGLES	± -	CHK A.YAMAGUCHI 12FEB02	NAME 名称
		0 PLC		± -												
		1 PLC		± -												
2 PLC	± -															
3 PLC	± -															
4 PLC	± -															
ANGLES	± -															
MATERIAL 材料	FINISH 仕上	APVD K.BETSUI 12FEB02	SIZE													
HSG: PBT	SEE TABLE	PRODUCT SPEC 製品規格	CAGE CODE													
CONT: BRASS		APPLICATION SPEC 取付適用規格	DRAWING NO 番号													
		WEIGHT 3.25 g	RESTRICTED TO													
		CUSTOMER DRAWING	SCALE 尺度 2:1													
			SHEET 1 of 1													
			REV D9													