

4

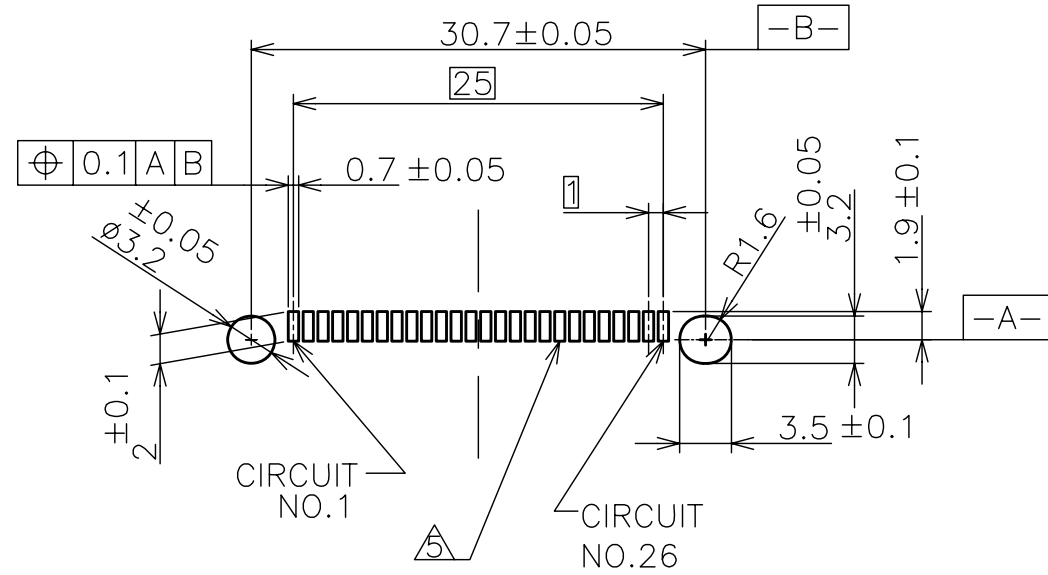
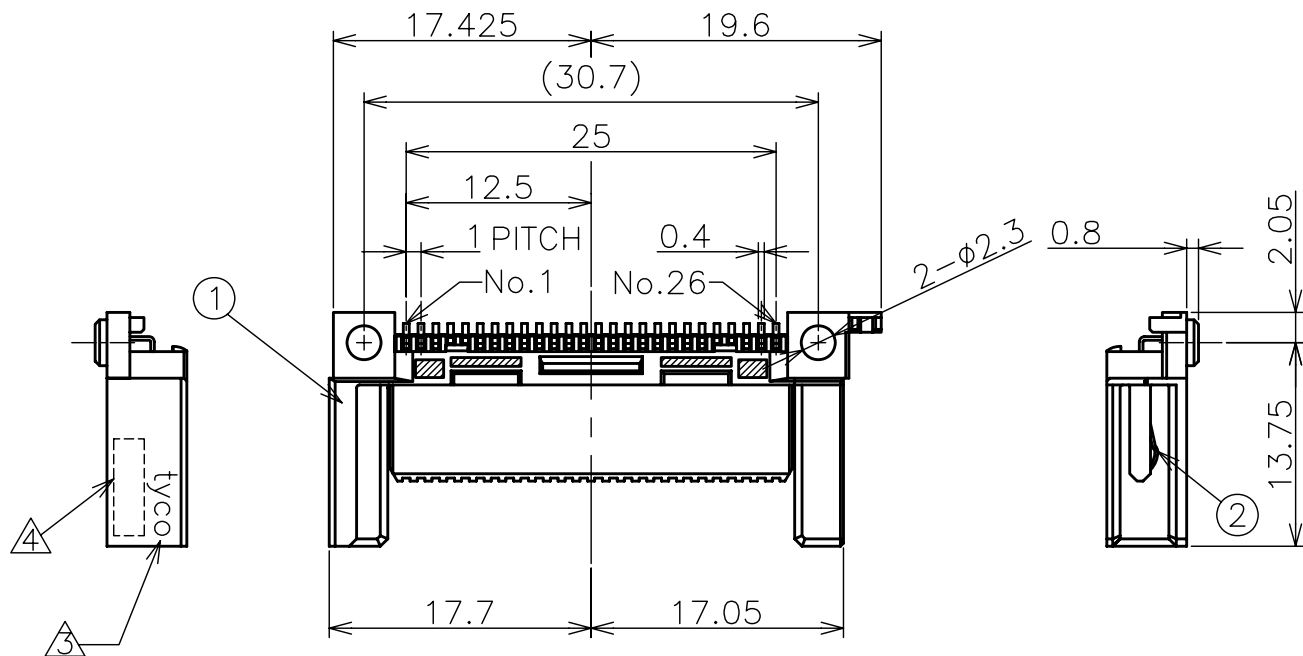
3

2

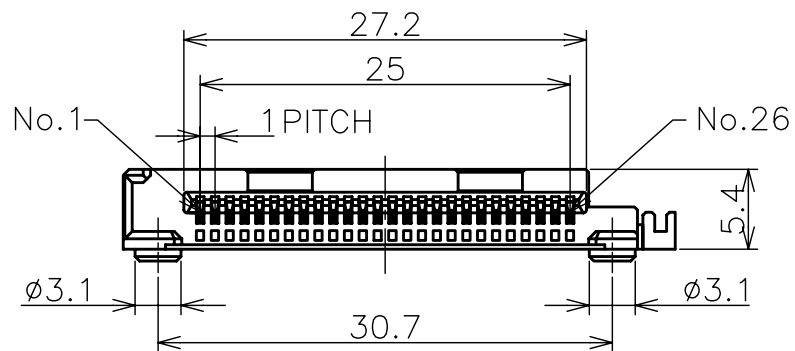
1

THIS DRAWING IS UNPUBLISHED. RELEASED FOR PUBLICATION
 © COPYRIGHT BY TYCO ELECTRONICS CORPORATION. ALL RIGHTS RESERVED.

LOC	DIST	REVISIONS					
DW		P	LTR	DESCRIPTION	DATE	DWN	APVD
		B		REVISED (ECR-08-023963)	18SEP08	W.C	H.K



REFERENCE P.C.BOARD LAYOUT
 (SCALE; 2:1)
 (HEADER CONNECTOR MOUNTING LAYOUT DETAIL)



1759181-1 : AS SHOWN

26	CONTACT	②
1	HEADER HSG	①
QTY	NAME	ITEM

NOTE.

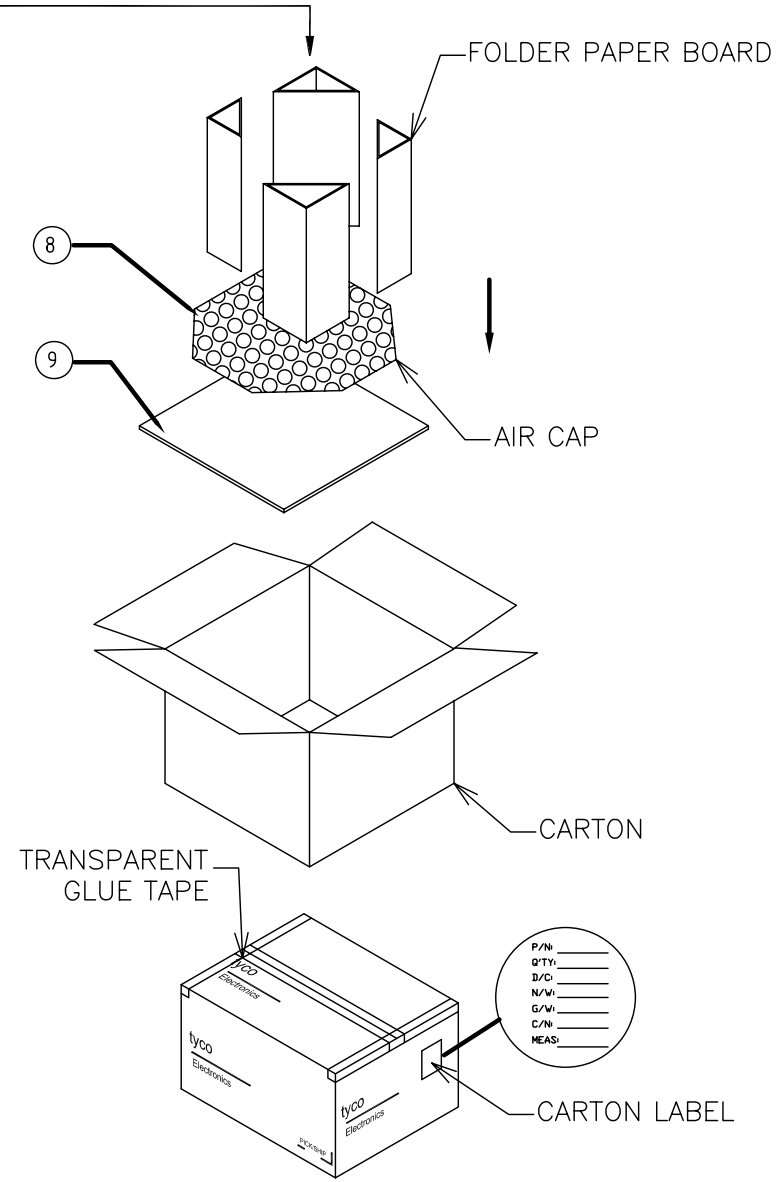
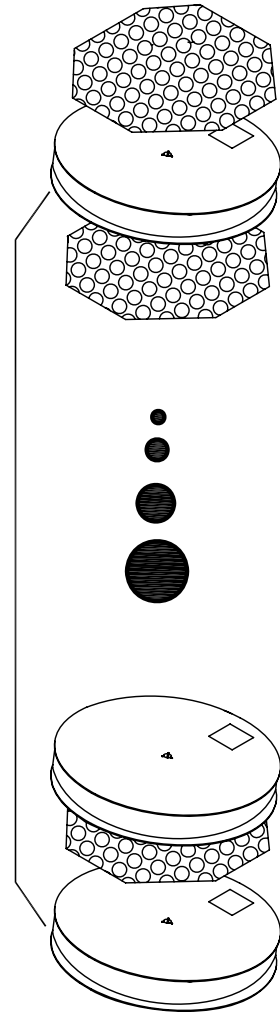
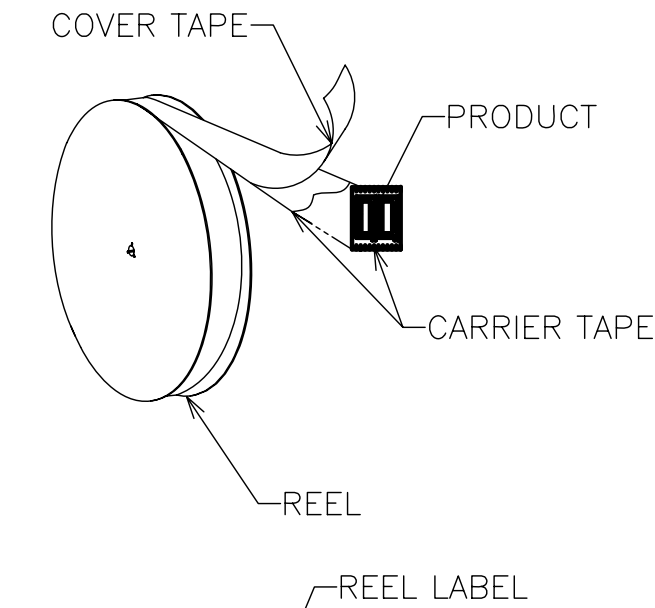
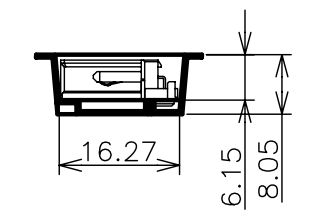
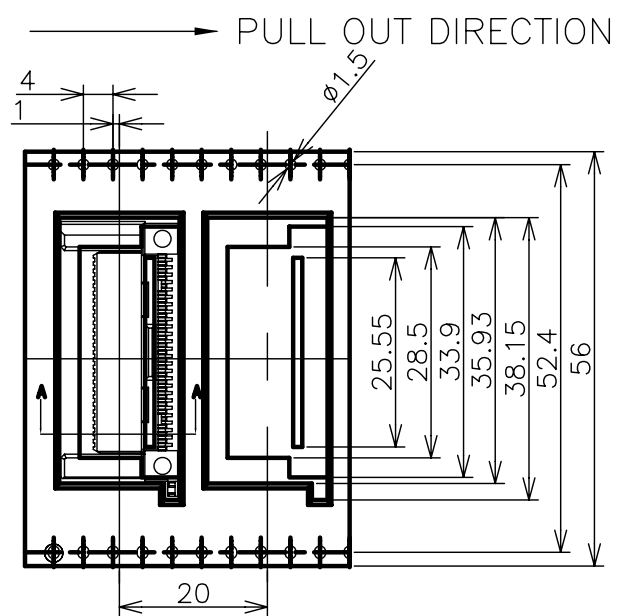
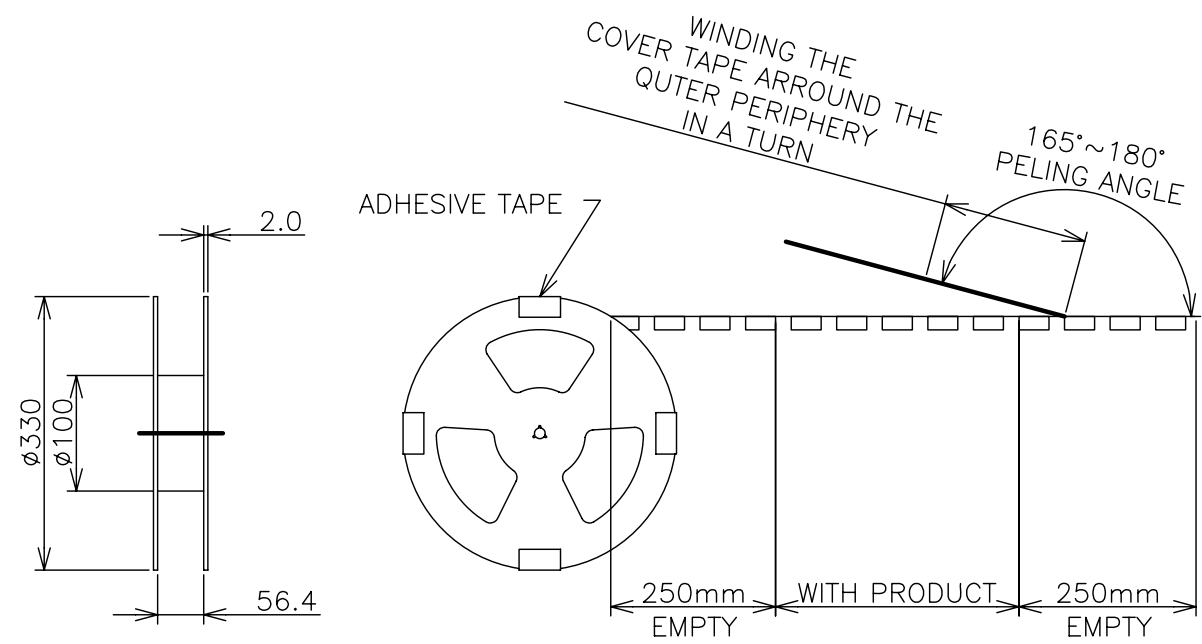
- 1. BE USE ALTOGETHER THE HEADER AND TE'S FRAME
- 2. APPLICABLE FRAME ASSY: 1759180-1

- ③ TE MARK
- ④ DATE CODE

THIS DRAWING IS A CONTROLLED DOCUMENT.		DWN M.CHAO 22MAY06	Tyco Electronics Corporation Tyco Electronics Taipei, Taiwan	
DIMENSIONS: mm		CHK K.KOBAYAHSI 22MAY06	NAME	
TOLERANCES UNLESS OTHERWISE SPECIFIED: 0 PLC ± 0.5 1 PLC ± 0.5 2 PLC ± 0.5 3 PLC ± 0.5 4 PLC ± 0.5 ANGLES ± 1°		APVD H.KODAMA 22MAY06	PRODUCT SPEC 108-99000	
MATERIAL		FINISH	APPLICATION SPEC 501-99000	
			SIZE A3	CAGE CODE 00779
			DRAWING NO 1759181	
			RESTRICTED TO	
		CUSTOMER DRAWING		SCALE 2:1
		SHEET 1 OF 2		REV B

THIS DRAWING IS UNPUBLISHED. RELEASED FOR PUBLICATION
 © COPYRIGHT BY TYCO ELECTRONICS CORPORATION. ALL RIGHTS RESERVED.

LOC	DIST	REVISIONS			
P	LTR	DESCRIPTION	DATE	DWN	APVD
DW	/	SEE SHEET 1	-	-	-



NOTE.
 1. MATERIAL: CARRY TAPE: HIPS; COLOR: CLEAR.
 COVER TAPE: PET; COLOR: CLEAR.
 2. CARTON DIMENSIONS: 355X355X310

350	4	1400
PCS/RELL	RELL/CARTON	TOTAL Q'TY

THIS DRAWING IS A CONTROLLED DOCUMENT.		DWN		Tyco Electronics		Tyco Electronics Corporation	
DIMENSIONS: mm		CHK		NAME		Taipei, Taiwan	
TOLERANCES UNLESS OTHERWISE SPECIFIED:		APVD		PRODUCT SPEC		HEADER ASSEMBLY, TOP MOUNT	
0 PLC ± 0.5		PRODUCT SPEC		APPLICATION SPEC		CARD PUSH TYPE	
1 PLC ± 0.5		APPLICATION SPEC		WEIGHT		EXPRESS CARD CONNECTOR	
2 PLC ± 0.5		WEIGHT		SIZE		RESTRICTED TO	
3 PLC ± 0.5		CUSTOMER DRAWING		CAGE CODE		DRAWING NO	
4 PLC ± 0.5		SCALE 2:1		A3 00779		C-1759181	
ANGLES ± 1°		SHEET 2 OF 2		REV B			
FINISH							