

THIS DRAWING IS UNPUBLISHED.

RELEASED FOR PUBLICATION

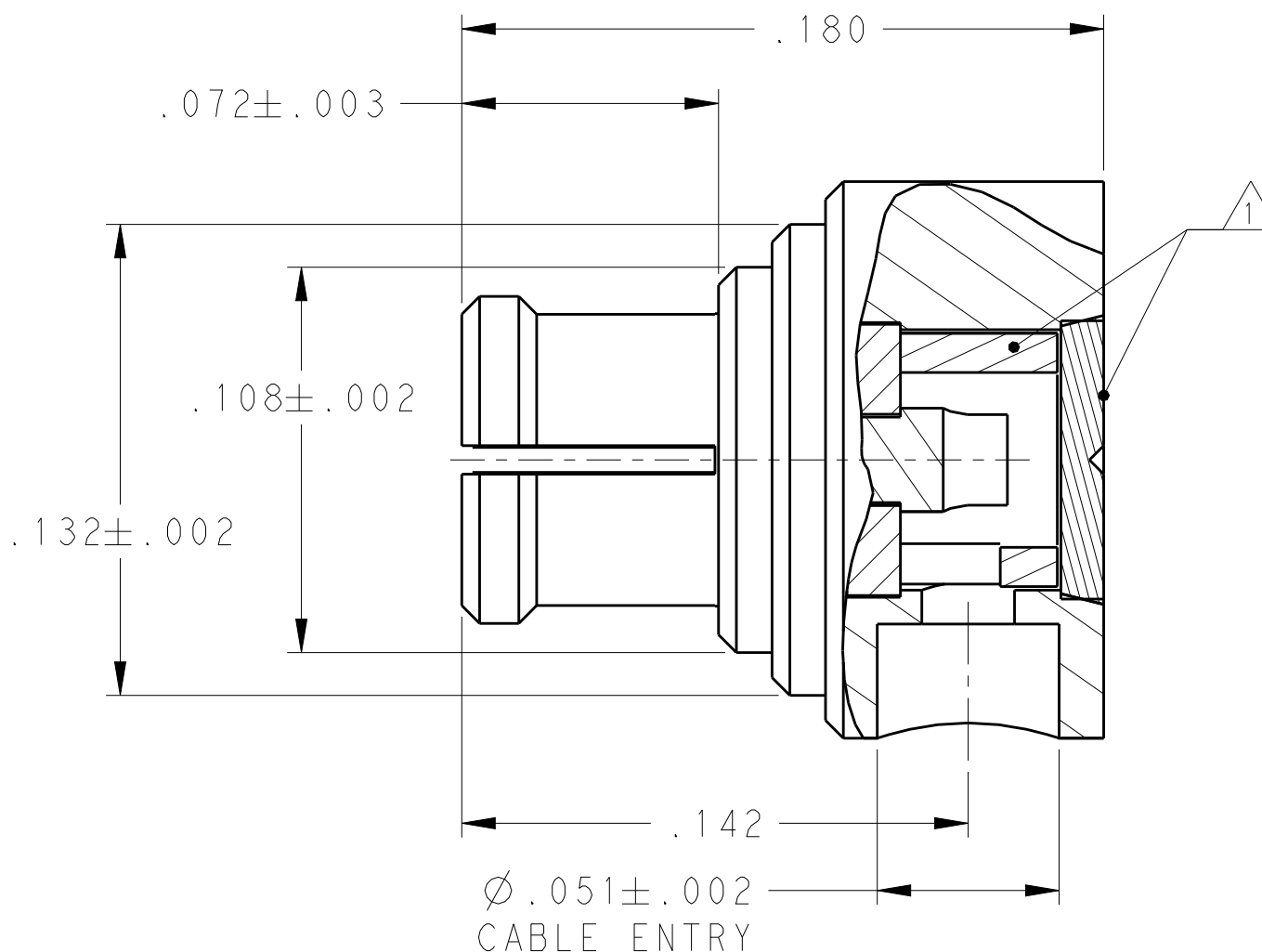
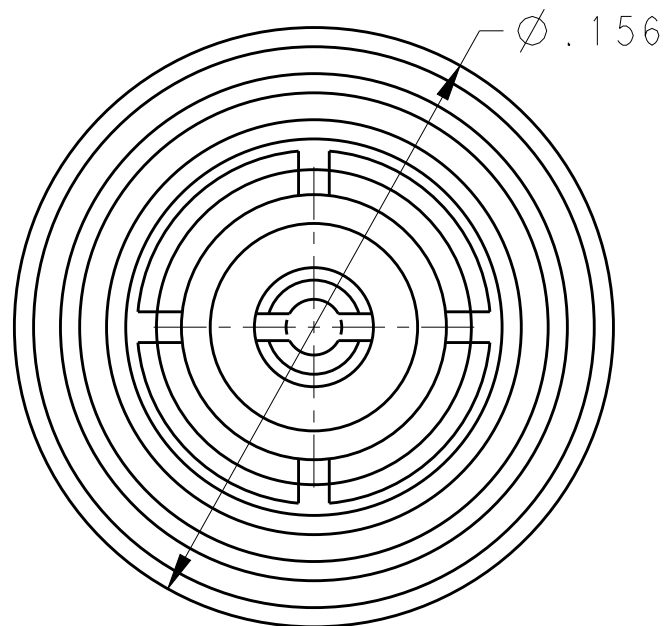
20

© COPYRIGHT 20 BY -

ALL RIGHTS RESERVED.

REVISIONS

P	LTR	DESCRIPTION	DATE	DWN	APVD
	A	RELEASED	20APR2017	CCT	PR



1 PARTS PACKAGED UNASSEMBLED.

2 MATERIAL:  
 BODY & CONTACT: BERYLLIUM COPPER PER ASTM B-196  
 DIELECTRIC: PTFE PER ASTM D-1710

3 FINISH:  
 BODY & CONTACT: GOLD PLATED PER ASTM B-188

1757638-1

PART NO.

4. SMPM FEMALE INTERFACE PER MIL-STD-348A

5. FOR USE WITH Ø .047 SEMI-RIGID CABLE.

THIS DRAWING IS A CONTROLLED DOCUMENT.

DWN C.C. THOMAS 20APR2017

CHK P. RECCE 4-20-17

APVD P. RECCE 4-20-17

PRODUCT SPEC

APPLICATION SPEC

WEIGHT

CUSTOMER DRAWING



TE Connectivity

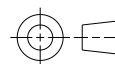
NAME CABLE JACK, RIGHT ANGLE, SMPM

SIZE	CAGE CODE	DRAWING NO	RESTRICTED TO
------	-----------	------------	---------------

A3	00779	C=1757638	-
----	-------	-----------	---

SCALE 20:1	SHEET 1 OF 1	REV A
------------	--------------	-------

DIMENSIONS: INCHES



TOLERANCES UNLESS OTHERWISE SPECIFIED:

0 PLC	±-
1 PLC	±-
2 PLC	±-
3 PLC	±.005
4 PLC	±-
ANGLES	±-

MATERIAL - 2

FINISH - 3