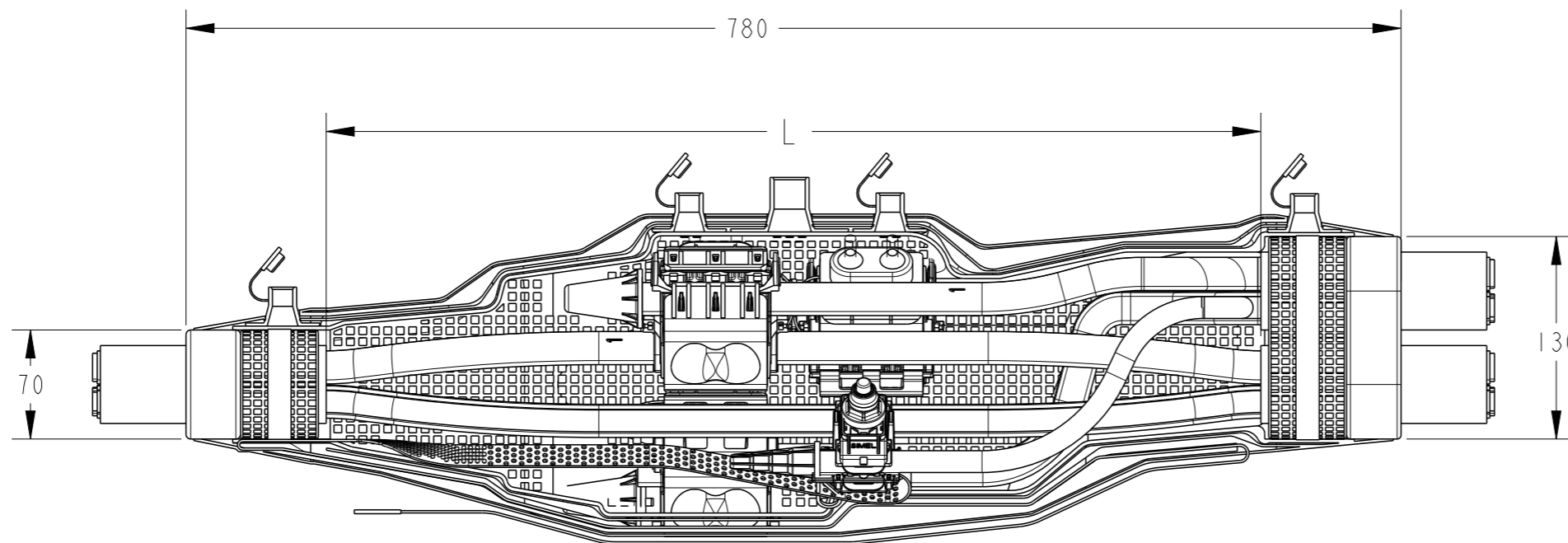
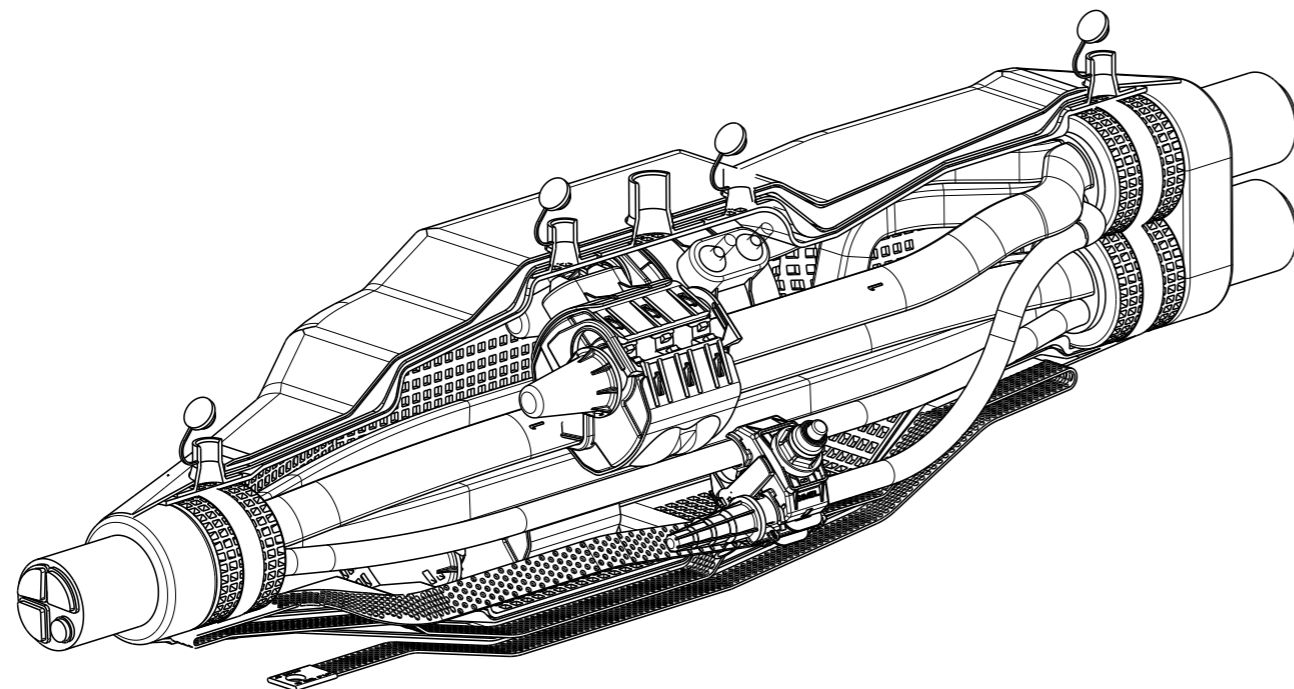


REVISIONS

P	LTR	DESCRIPTION	DATE	DWN	APVD
	A	NEW DRAWING	03MAR2021	RS	NA



MODEL SHOWN: JNI 240-240

REFERENCE	PN	CODET ENEDIS	CAPACITY MAIN	CAPACITY TAP	LENGTH 'L'	WEIGHT	BOX TYPE
JNI 240-240 v2006	1756992-1	67 90 180	95-240mm ²	95-240mm ²	500	15 kg	INJECTED RESIN JOINT BOX
JNI-CPI 240-240 v2006	1756992-2	67 90 190	95-240mm ²	95-240mm ²	650	18 kg	INJECTED RESIN JOINT BOX

THIS DRAWING IS A CONTROLLED DOCUMENT.

DIMENSIONS: mm	TOLERANCES UNLESS OTHERWISE SPECIFIED:
	0 PLC ±-
	1 PLC ±-
	2 PLC ±-
	3 PLC ±-
	4 PLC ±-
	ANGLES ±-
MATERIAL	FINISH
-	-

DWN	03MAR2021
RAVI.S	
CHK	03MAR2021
J.LARDEAU	
APVD	03MAR2021
N.ALMEIDA	
PRODUCT SPEC	
APPLICATION SPEC	
WEIGHT	-



NAME
ENS. JONCTION NOEUD RESEAU 240 INJECTE
JNI 240-240 / ...

SIZE	CAGE CODE	DRAWING NO	RESTRICTED TO
A3	00779	©-1756992	

CUSTOMER DRAWING SCALE 1:1 SHEET 1 OF 1 REV A