

THIS DRAWING IS UNPUBLISHED.

RELEASED FOR PUBLICATION

--

LOC J

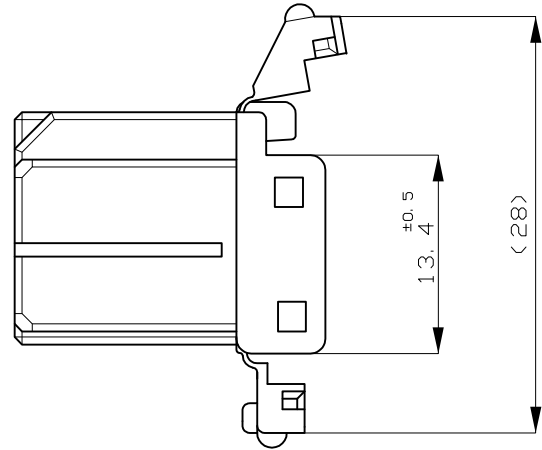
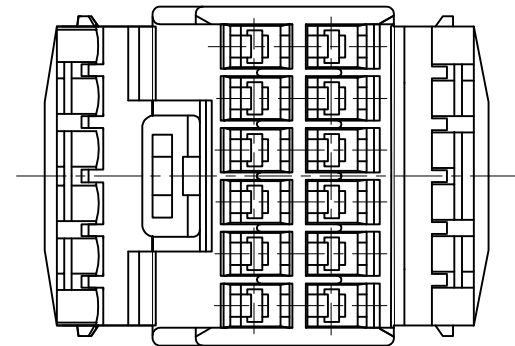
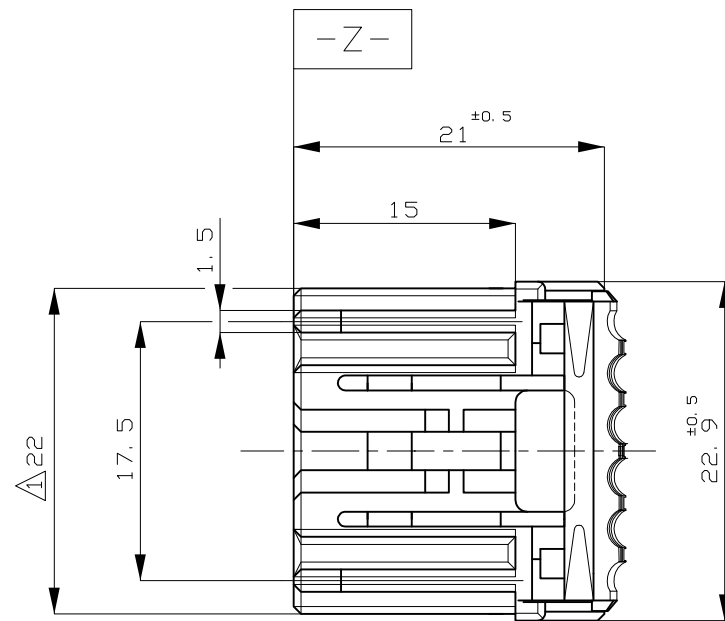
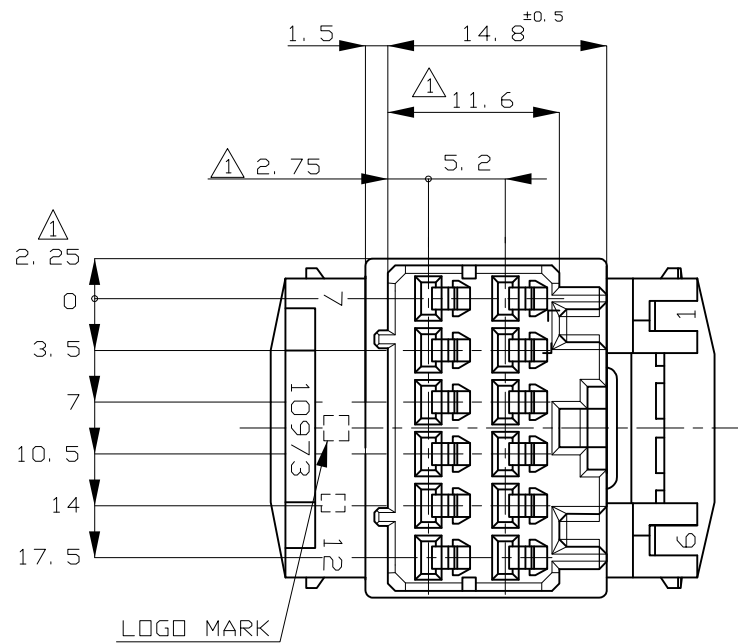
DIST -

REVISIONS

© COPYRIGHT - By -

ALL RIGHTS RESERVED.

P	LTR	DESCRIPTION	DATE	DWN	APVD
	E4	REVISED	11MAR2015	TS	KB



NOTES;

- 1 △ MUST BE KEPT BETWEEN [-Z-] AND 2mm
- 2 THE MATING CAP HSG. PART NUMBER; 175444, 175448
- 3 APPLIED CONTACT P/N 173630, 173631
- 4 APPLICABLE PRODUCT SPEC NO. 108-5280

注 :

- 1 △ [-Z-]面より2mmの範囲で測定
- 2 嵌合相手ハウジング型番 : 175444, 175448
- 3 内装するリセパタクルコンタクト型番は173630, 173631
- 4 適用製品規格番号 108-5280

OBSOLETE	淡灰 (LIGHT GRAY)	6-175442-6
	灰色 (GRAY)	175442-6
OBSOLETE	青 (BLUE)	175442-5
	白 (WHITE)	175442-1
	色 (COLOR)	PART NO

THIS DRAWING IS A CONTROLLED DOCUMENT.		DWN M.KADOSAKI 16JUN2005	<b>STE</b> TE Connectivity	
DIMENSIONS: 単位: 耗 mm		CHK T.SHINOHARA 16JUN05		
TOLERANCES UNLESS OTHERWISE SPECIFIED: 一般公差		APVD K.BETSUI 16JUN05	NAME 名称	
0 PLC ±-		PRODUCT SPEC 製品規格	12Pos. PLUG HOUSING	
1 PLC ±-		APPLICATION SPEC 取付適用規格	.040/.070 HYBRID I/O CONN. (POWER)	
2 PLC ±-		WEIGHT	12極 プラグハウジング .040/.070 ハイブリッド I/O コネクタ (パワー用)	
3 PLC ±-		CUSTOMER DRAWING	SIZE	RESTRICTED TO
4 PLC ±-			A3	-
ANGLES ±-			CAGE CODE	DRAWING NO
FINISH 仕上			00779	C=175442
MATERIAL 材料 PBT				REV E4
SCALE 尺度 2:1			SHEET 1 of 1	

一般公差 (GENERAL TOLERANCE)	
0 < * ≤ 10	: ±0.2
10 < * ≤ 30	: ±0.25
30 < * ≤ 100	: ±0.3
ANGLES	: ±3°