

/med/auto/new/u.095-00/u.customer/s.c-175108

NUMBER C-175108

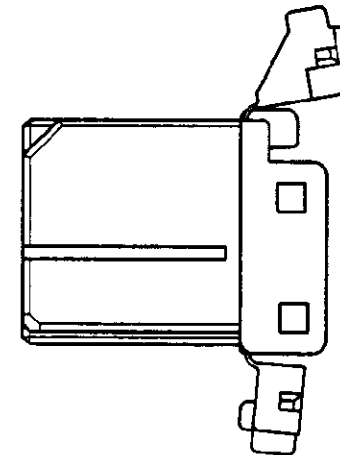
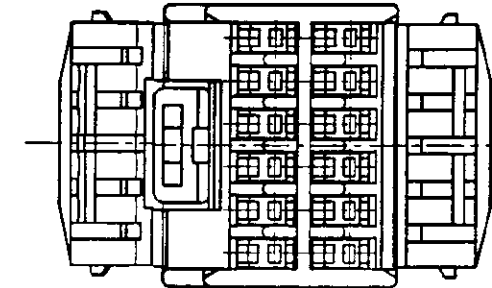
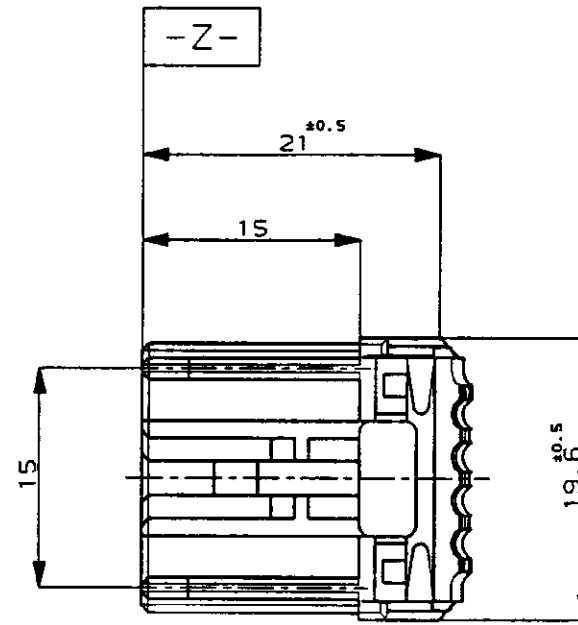
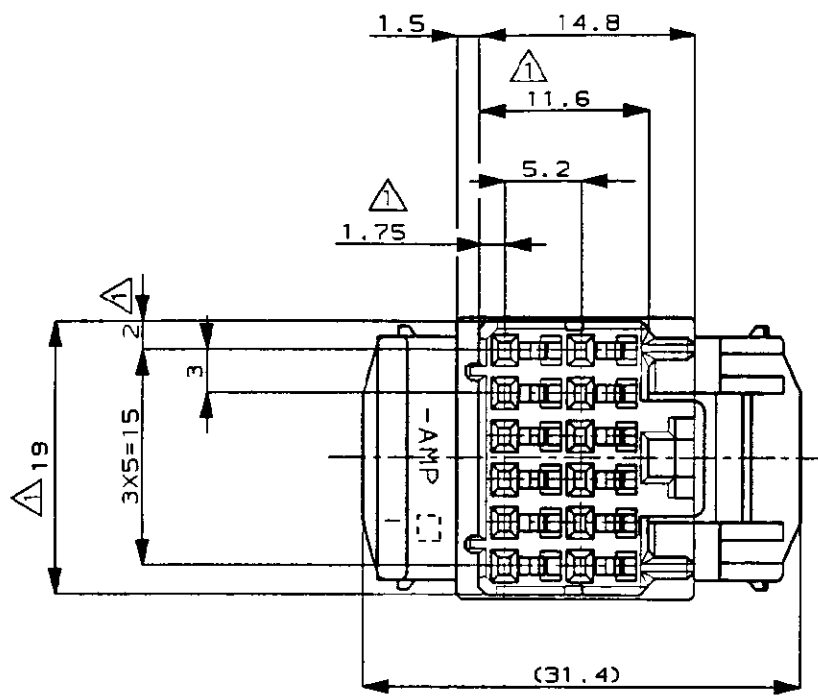
3rd ANGLE PROJECTION

METRIC

DIMENSIONS IN MILLIMETERS. DO NOT SCALE PRINT

PRINT DIST

AMP-J REV.10/83



NOTES;

- 1. MUST BE KEPT BETWEEN **-Z-** AND 2mm.
- 2. APPLIED CONTACT PART NUMBER; 173681
- 3. APPLICABLE PRODUCT SPEC. 108-5280

注:

- 1. **-Z-** 面より 2mm の範囲で測定
- 2. 内装するリセプタクルコンタクト型番: 173681
- 3. 通用製品規格番号 108-5280

青色 (BLUE)	175108-5
灰色 (GRAY)	175108-6
色 (COLOR)	P/N

Copyright ©1989 AMP (Japan), LTD. ALL RIGHTS RESERVED.		Copyright ©1989 AMP (Japan), LTD. ALL RIGHTS RESERVED.		<b>AMP</b> AMP (JAPAN), LTD. Tokyo, Japan	
WIRE RANGE mm <sup>2</sup> (AWG)		INSULATION DIA mm		NAME 12pos. PLUG HOUSING .040/.070 HYBRID I/O CONN. T.F 12極 プラグハウジング .040/.070 ハイブリッド I/O コネクタ T.F	
B 変更 P.100-3483-06 DM QR 11/17/89		材料 MATERIAL PBT		色 COLOR 表参照 SEE TABLE	
A 変更 J-0015 YF KY 4/16/91		DR. 10/31/89 DE. 11/15/89		GENERAL TOLERANCE 0<= 10 ; ±0.2 10<= 30 ; ±0.25 30<= 100 ; ±0.3 ANGLES ; ±3°	
O 作成 J-10927 KS KY 11/19/89		CHK. 11/15/89 APP. 11/20/89		SIZE LOC NUMBER A3 J C-175108	
LTR REVISION RECORD DR CHK DATE		SCALE 2-1		REV. B SHEET //	

CUSTOMER DRAWING