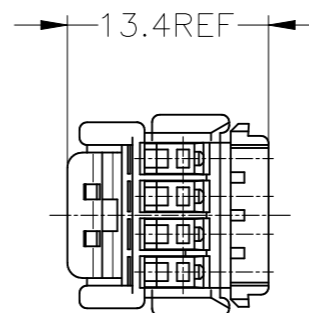
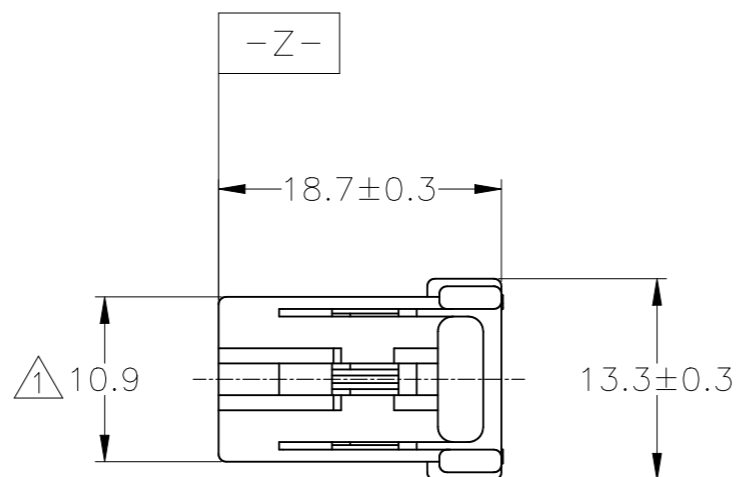
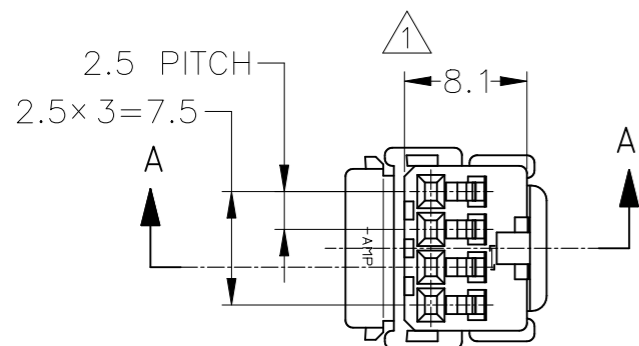
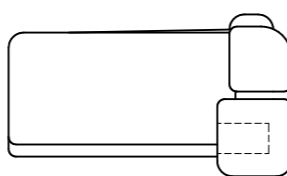
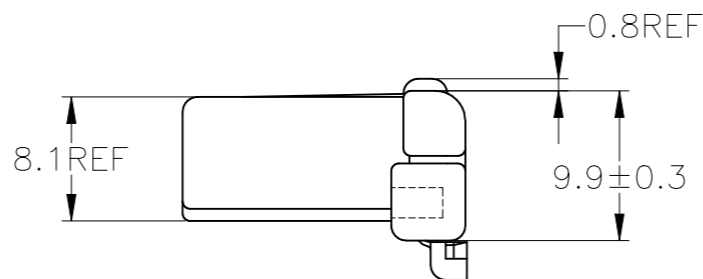


REVISIONS 変更					
P	LTR	DESCRIPTION	DATE	DWN	APVD
	B4	REVISED ECR-13-018510	08JAN2014	TS	KB
	B5	REVISED PER ECR-22-154022	25NOV2022	RK	MT

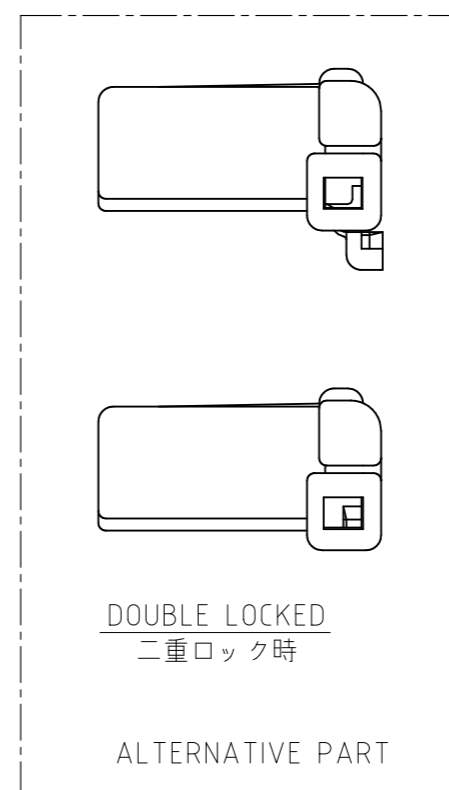


- ① TO BE MEASURED WITHIN 2mm FROM -Z-
- 2. THE MATING CAP HOUSING PART NUMBER: 174967
- 3. APPLICABLE CONTACT PART NUMBER: 173681, 175180

- ① -Z- 面から 2mm の範囲で測定。
- 2. 相手側ハウジング型番: 174967
- 3. 適用端子型番: 173681, 175180

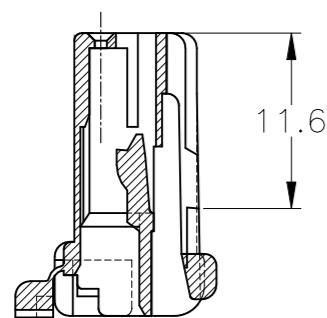


DOUBLE LOCKED
二重ロック時



DOUBLE LOCKED
二重ロック時

ALTERNATIVE PART



A-A

OBSOLETE	BLUE	174966-5
OBSOLETE	GREEN	174966-4
	BLACK	174966-2
	COLOR	PART NUMBER

TOLERANCE UNLESS OTHERWISE SPECIFIED: 一般公差	
0 < x ≤ 10	: ±0.2
10 < x ≤ 30	: ±0.25
30 < x ≤ 100	: ±0.3
ANGLE ; 角度	: ±3°

THIS DRAWING IS A CONTROLLED DOCUMENT.

DIMENSIONS: 単位: 耗 mm	TOLERANCES UNLESS OTHERWISE SPECIFIED: 一般公差
	0 PLC ± -
	1 PLC ± -
	2 PLC ± -
	3 PLC ± -
	4 PLC ± -
ANGLES ± -	FINISH 仕上 -
MATERIAL 材料 PBT	

DWN T.SHINOHARA	07MAR06
CHK K.BETSUI	07MAR06
APVD K.BETSUI	07MAR06
PRODUCT SPEC 製品規格 108-5352	NAME 名称
APPLICATION SPEC 取付適用規格 114-5094, -5162	SIZE
WEIGHT 1.1 g	CAGE CODE A300779

TE Connectivity		040 SERIES MULTI-LOCK CONNECTOR 4POSITION PLUG HOUSING		RESTRICTED TO
				-
DRAWING NO 番号 C-174966		SCALE 尺度 2:1	SHEET 1 OF 1	REV B5
CUSTOMER DRAWING				