

THIS DRAWING IS UNPUBLISHED.

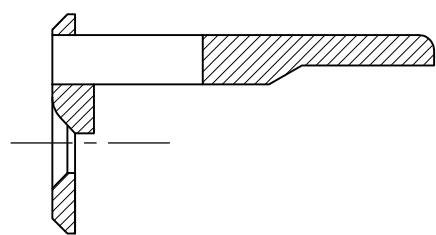
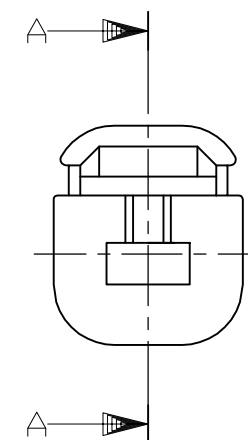
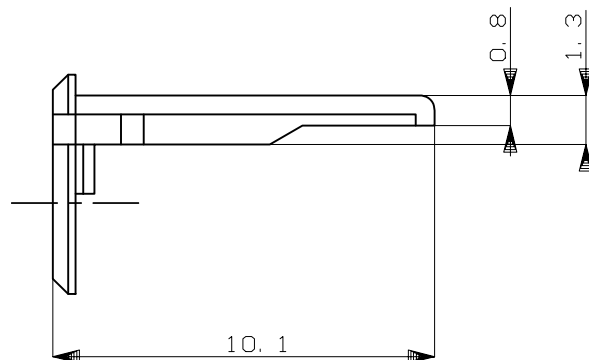
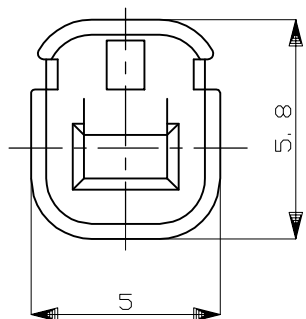
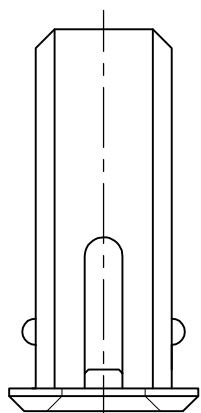
RELEASED FOR PUBLICATION

ALL RIGHTS RESERVED.

© COPYRIGHT - By -

REVISIONS

P	LTR	DESCRIPTION	DATE	DWN	APVD
	A2	REVISED	ECR-18-009736	22JUN2018	TS HY



SECTION 断面 A-A

1. 本品は、プラグハウジング型番174877及び2822388に装着される

1. TO BE MATED WITH PLUG HOUSING PART NUMBER 174877 AND 2822388

HB	自然色 (NATURAL)	1-174878-1
V-2	黄 (YELLOW)	174878-7
使用材料難燃グレード (FLAMMABILITY OF MATERIAL)	色 (COLOR)	型番 (PART NUMBER)

THIS DRAWING IS A CONTROLLED DOCUMENT.		DWN K.ODA 10/19'87	STE TE Connectivity Ltd.		
DIMENSIONS: mm		CHK Y.MATSUSAKA 10/20'87			
TOLERANCES UNLESS OTHERWISE SPECIFIED:		APVD M.NOGUCHI 10/20'87	NAME 1P. ECONOSEAL J-MARKII+ CONNECTOR DOUBLE LOCK PLATE FOR PLUG HOUSING		
0 PLC ± -		PRODUCT SPEC 108-5262	SIZE A3		
1 PLC ± -		APPLICATION SPEC -	CAGE CODE 00779	DRAWING NO C-174878	RESTRICTED TO -
2 PLC ± -		WEIGHT 0.05 g	SCALE 5:1		
3 PLC ± -		CUSTOMER DRAWING	SHEET 1 OF 1		REV A2
4 PLC ± -			REVISIONS		
ANGLES ± -					
FINISH -					
MATERIAL PBT					

GENERAL TOLERANCE	
0 < * ≤ 10	: ±0.2
10 < * ≤ 30	: ±0.25
30 < * ≤ 100	: ±0.3
ANGLES	: ±3°