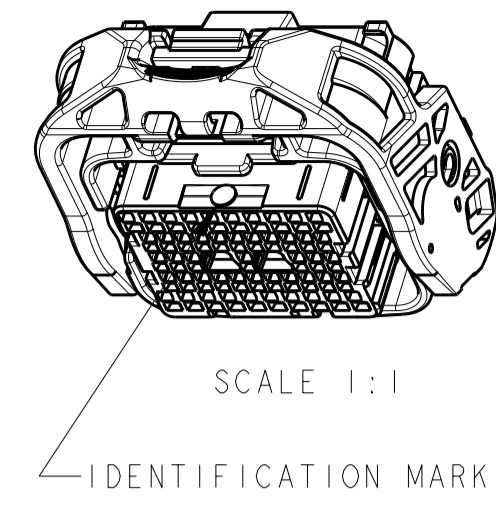
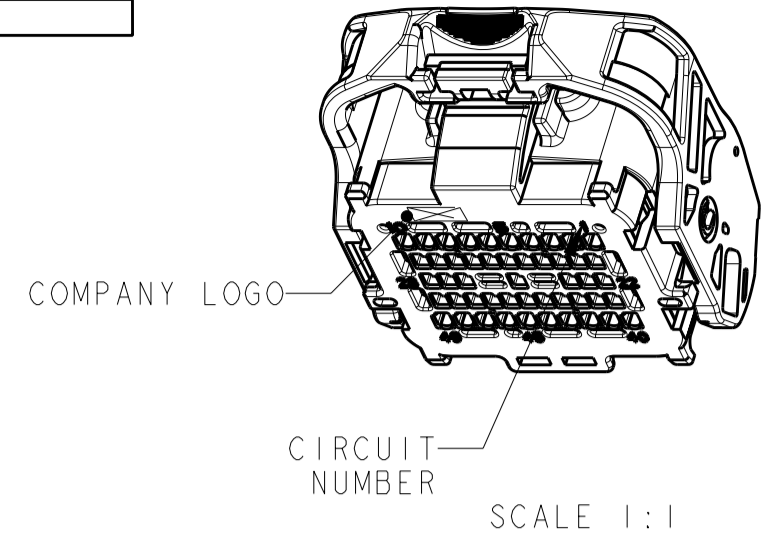


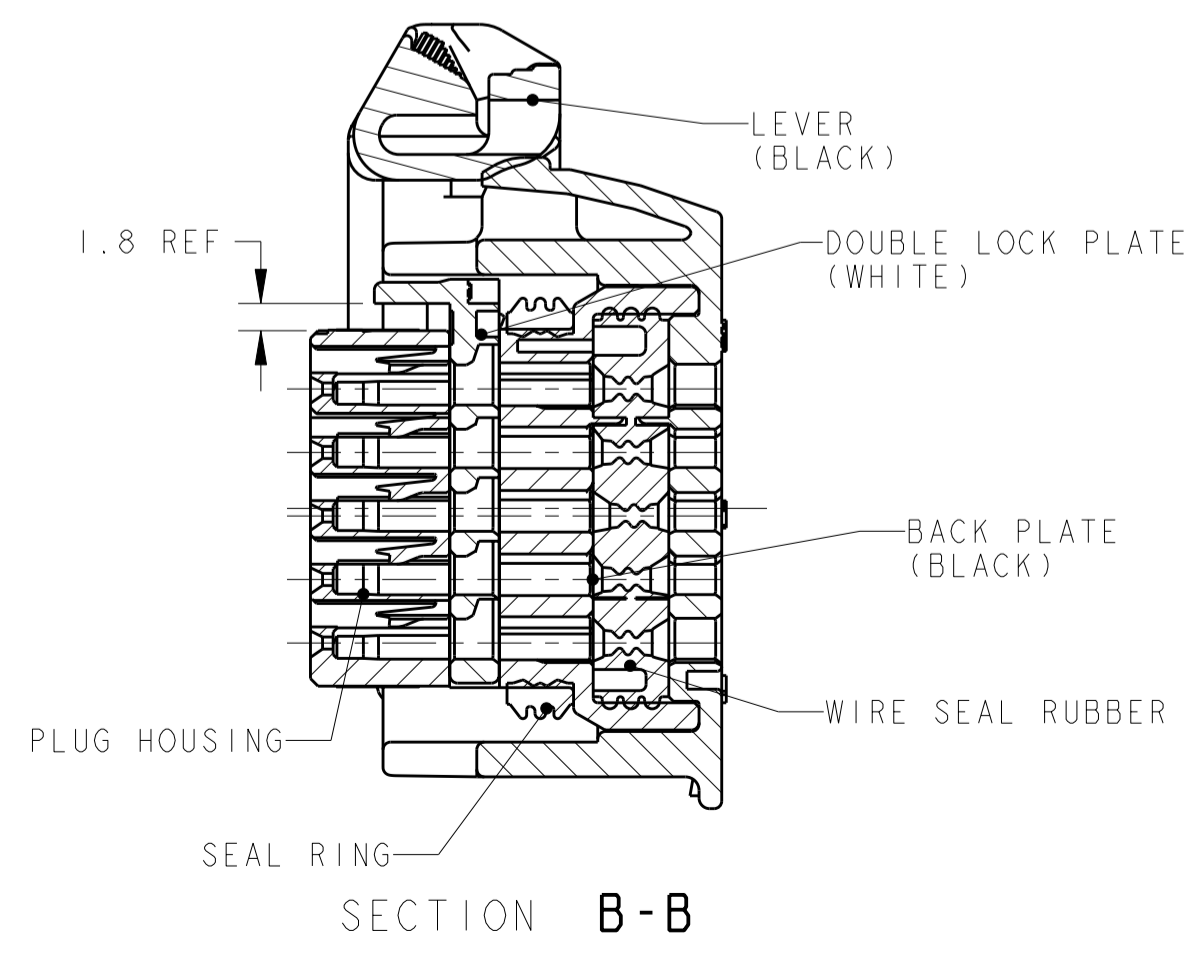
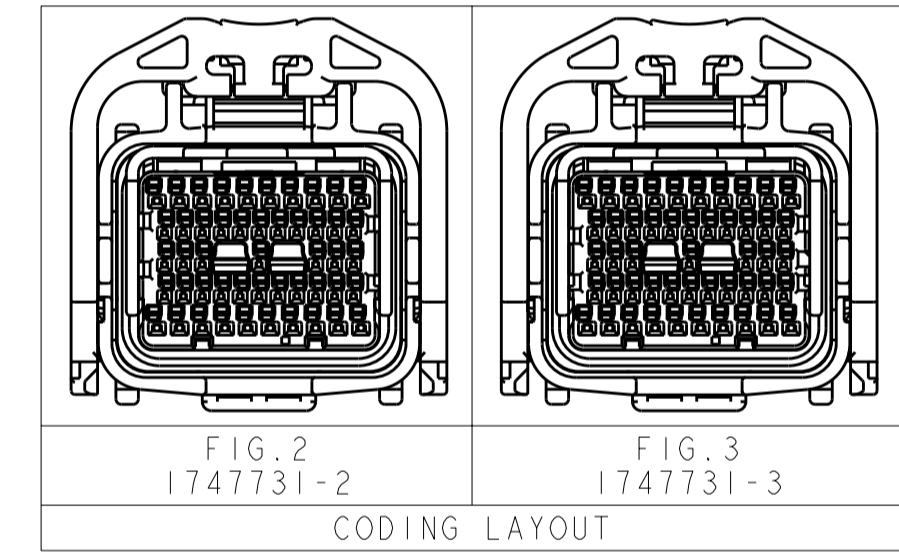
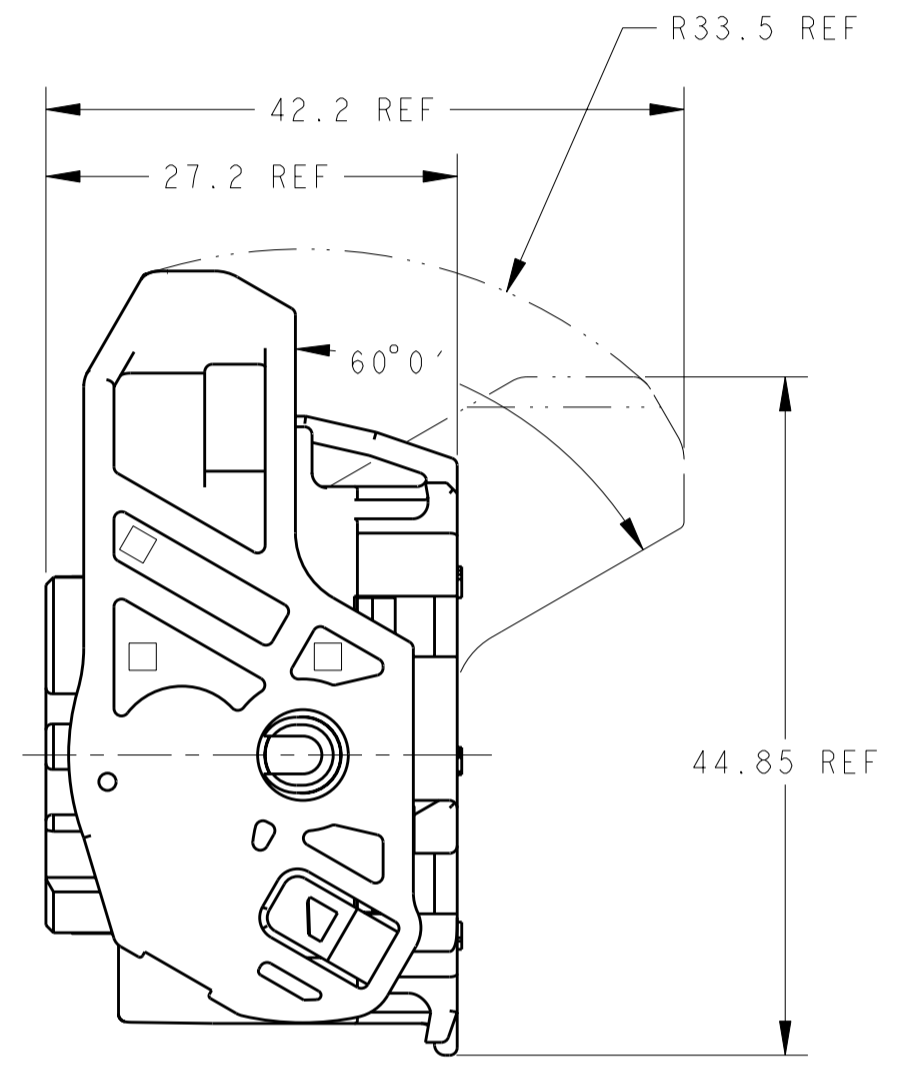
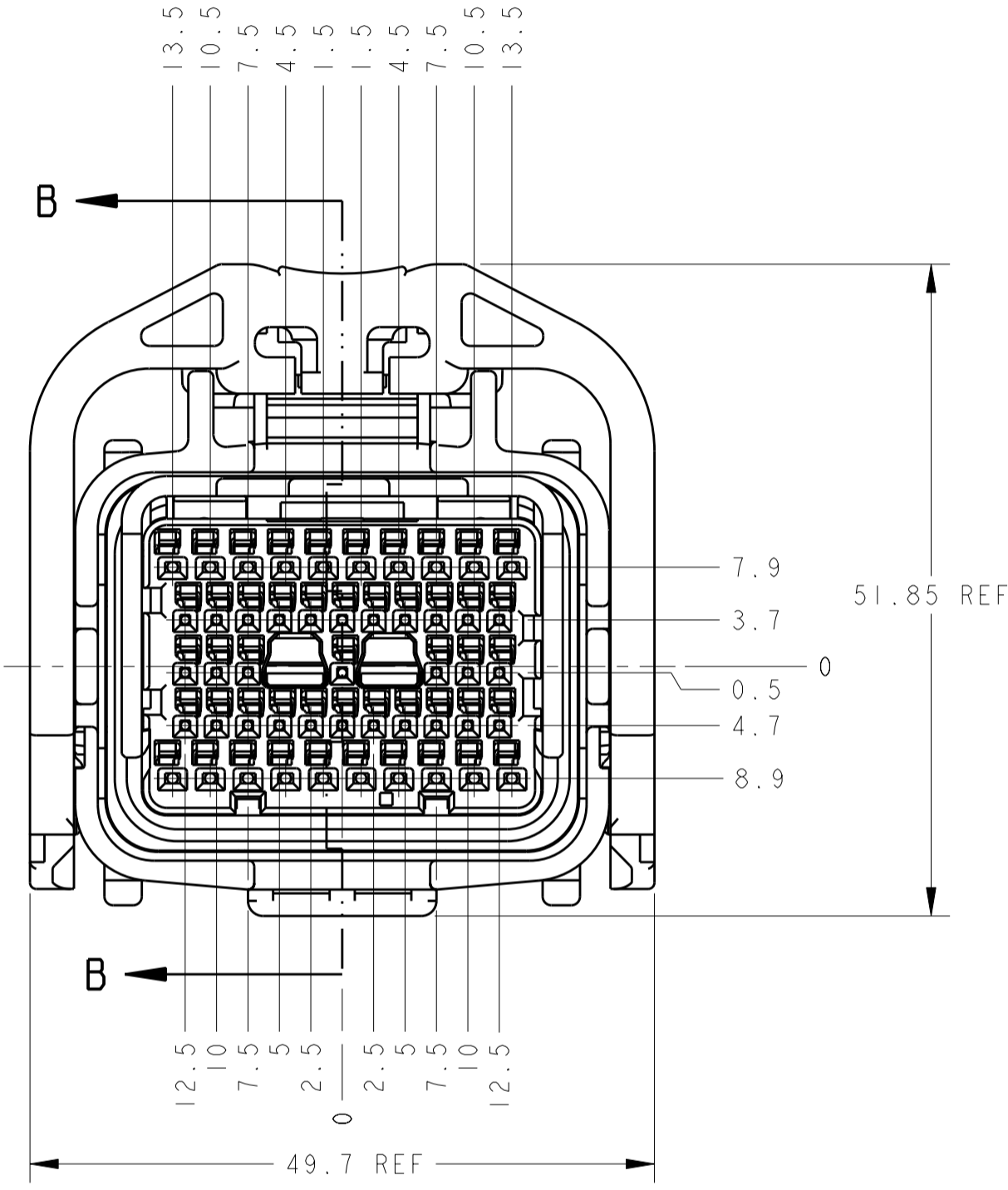
THIS DRAWING IS UNPUBLISHED. RELEASED FOR PUBLICATION 20  
 © COPYRIGHT 20 BY TYCO ELECTRONICS CORPORATION. ALL RIGHTS RESERVED.

LOC	DIST	REVISIONS			
P	LTR	DESCRIPTION	DATE	DWN	APVD
	A	RELEASED PER ECR 06-030012	21DEC2006	DLD	CJS
	B	REVISED PER ECR-07-015234	10JUL2007	AH	CS
	BI	REV PER ECR-10-001668	15MAR2010	VSS	SA



- C TYPE : ○
- B TYPE : △
- A TYPE : □

- MATING WITH CAP HOUSING SMOOTHLY. CAP HOUSING PRODUCT NUMBER: 1747732
- APPLICABLE CONTACT PART NUMBER: SEE TABLE-2.



CODING	COLOR OF PLUG HOUSING	DESCRIPTION	PART NUMBER
SEE FIG. 3	WHITE	PLUG HOUSING ASSEMBLY 49 POSITION A TYPE	1747731-3
SEE FIG. 2	GRAY	PLUG HOUSING ASSEMBLY 49 POSITION B TYPE	1747731-2
AS SHOWN	DARK GREEN	PLUG HOUSING ASSEMBLY 49 POSITION C TYPE	1747731-1

POSITIONS	CIRCUIT NUMBER	CONTACT PART NO
29	11-39	1717148
		1318329
		1612775
20	1-10, 40-49	1612776
		1318332

TABLE-2

THIS DRAWING IS A CONTROLLED DOCUMENT FOR TYCO ELECTRONICS CORPORATION. IT IS SUBJECT TO CHANGE AND THE CONTROLLING ENGINEERING ORGANIZATION SHOULD BE CONTACTED FOR THE LATEST REVISION.

DIMENSIONS:	TOLERANCES UNLESS OTHERWISE SPECIFIED:	DWN	K. SHIGA	04NOV04	Tyco Electronics Harrisburg, PA 17105-3608						
mm	±0.3	CHK	Y. NOGUCHI	04NOV04							
	0-PLC ±	APVD	Y. FUJIWARA	04NOV04							
	1-PLC ±0.1	PRODUCT SPEC		108-2250							
	2-PLC ±0.01	APPLICATION SPEC		114-5278	NAME	PLUG HOUSING ASSEMBLY, 49 POSITION, 0.64/1.0 SEALED CONNECTOR					
	3-PLC ±0.001				SIZE	CAGE CODE	DRAWING NO	RESTRICTED TO			
	4-PLC ±0.0001					A200779	C-1747731	-			
ANGLES	±1°00'	WEIGHT	37.9 g		CUSTOMER DRAWING	SCALE	2:1	SHEET	OF	REV	BI