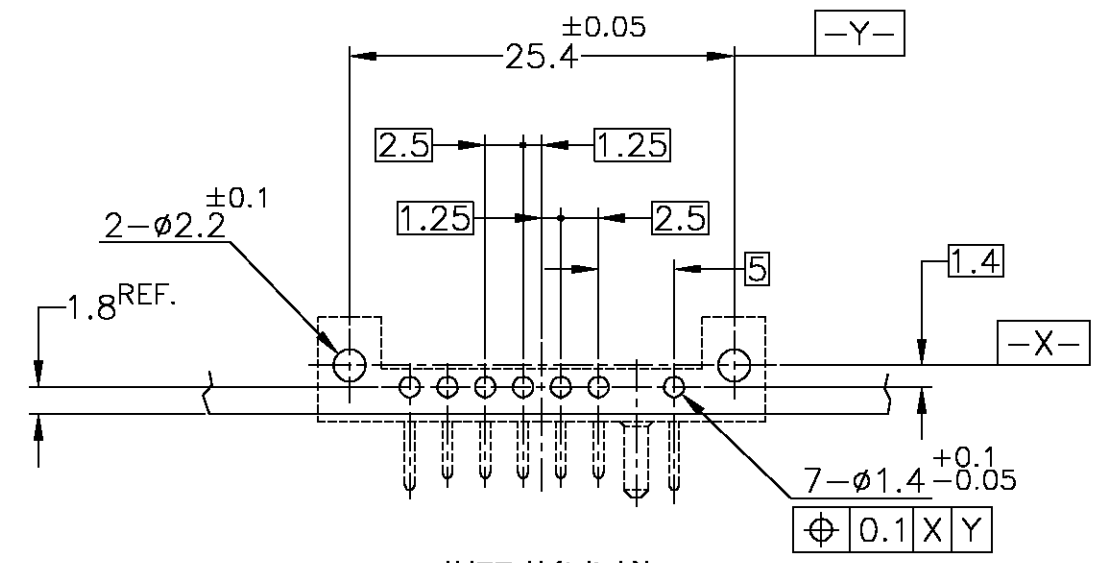
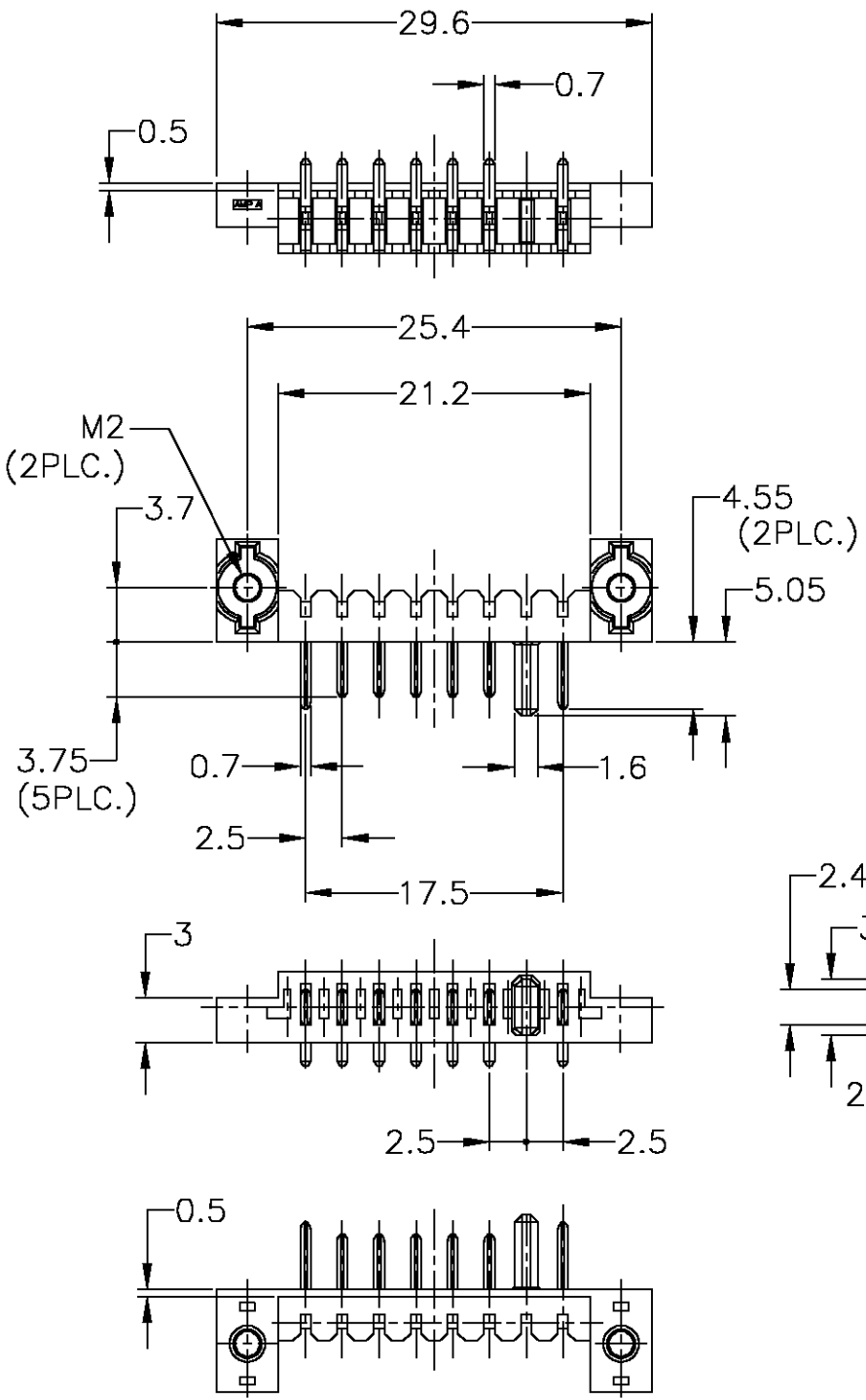


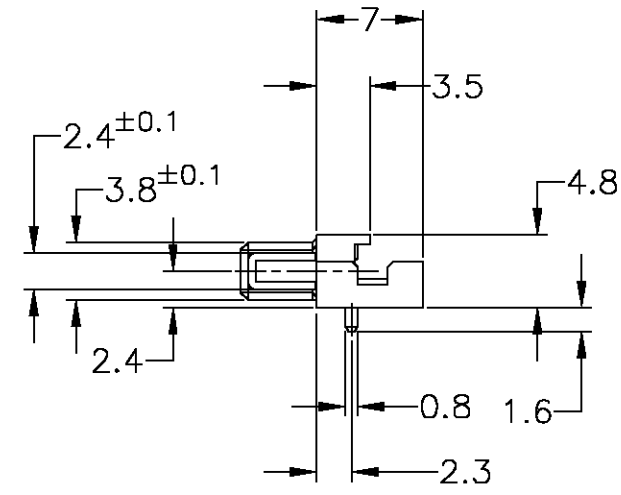
THIS DRAWING IS UNPUBLISHED. RELEASED FOR PUBLICATION JUN, 2004.
 © COPYRIGHT 2004 BY TYCO ELECTRONICS CORPORATION. ALL RIGHTS RESERVED.

LOC	DIST	REVISIONS					
J	/	P	LTR	DESCRIPTION	DATE	DWN	APVD
		0		RELEASED (FJB0-0664-04)	10NOV04	T.K	K.I



基板取付参考寸法
 REFERENCE P.C. BOARD LAYOUT
 P.C. BOARD THK 0.8~1.2
 (VIEW FROM CONNECTOR MOUNTING SIDE)

- ① 材料
 - ・ハウジング：6Tナイロン、UL94V-0、黒
 - ・コンタクト：銅合金
 - ・ナットプレート：ステンレス
- ② 仕上げ
 - ・コンタクト：ニッケル下地めっき 2μm以上
 - 接触部 金めっき 0.3μm以上
 - 半田付け部 金フラッシュめっき 0.05~0.15μm
- ① MATERIAL
 - ・ HOUSING: 6T NYLON, UL94V-0, BLACK
 - ・ CONTACT: COPPER ALLOY
 - ・ NUT PLATE: STAINLESS
- ② FINISH
 - ・ CONTACT: Ni ALL OVER UNDER PL. 2μm MIN.
 - GOLD PL. 0.3μm MIN. AT CONTACT AREA
 - GOLD FLASH PL. AT LEAD AREA
 - 0.05~0.15μm



1747602-1:AS SHOWN

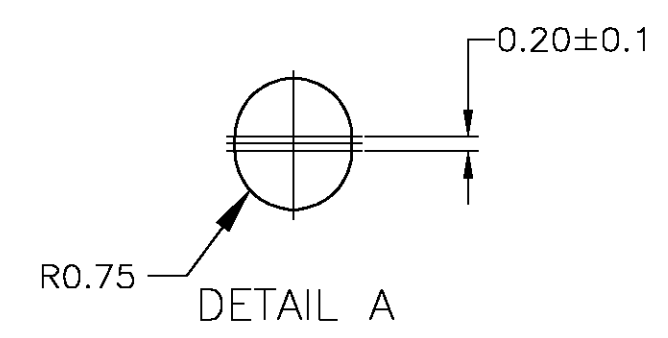
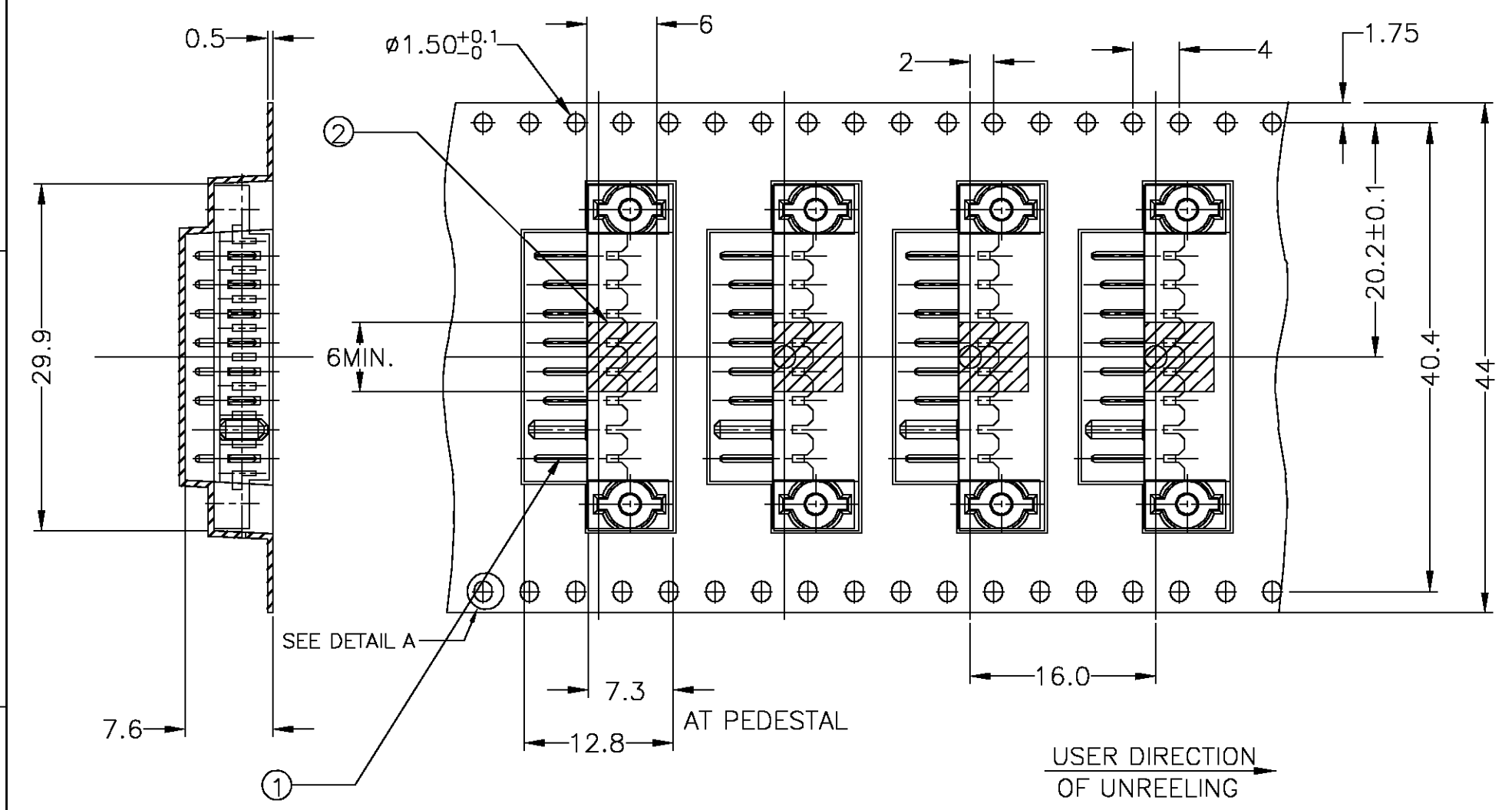
GENERAL TOLERANCE
 一般公差

10 ≥	±0.2
30 ≥ > 10	±0.25
100 ≥ > 30	±0.3
ANGLES: ±3°	

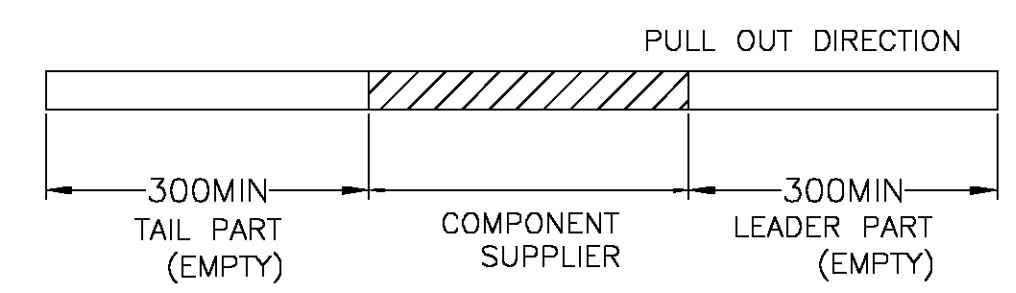
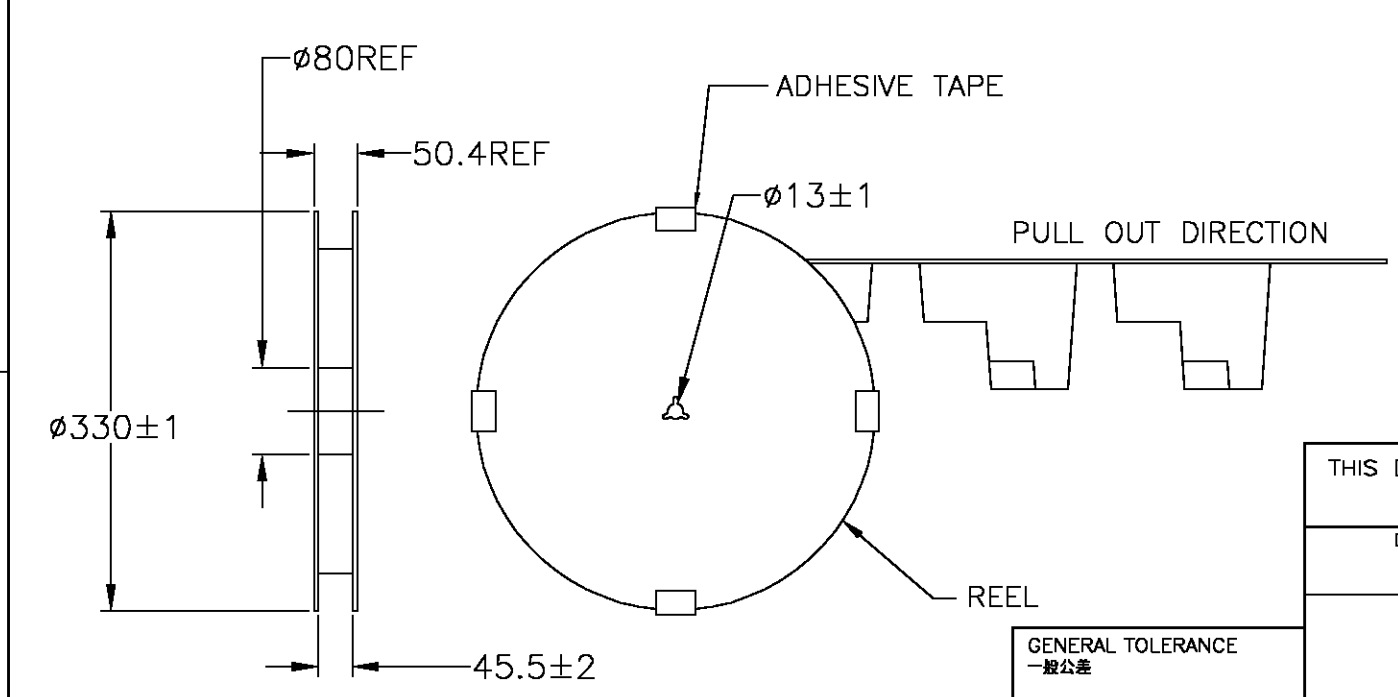
THIS DRAWING IS A CONTROLLED DOCUMENT.		DWN T.KATANO 15JUN04	Tyco Electronics AMP K.K. Kawasaki, Japan	
DIMENSIONS: 単位： 筈 MM		CHK T.KIMURA 15JUN04	NAME K.IKEGAMI	
TOLERANCES UNLESS OTHERWISE SPECIFIED: 一般公差		APVD K.IKEGAMI 15JUN04	PRODUCT SPEC 製品規格 108-5775	
0 PLC ± -		APPLICATION SPEC 取付適用規格		
1 PLC ± -		SIZE A3		
2 PLC ± -		CAGE CODE 00779		
3 PLC ± -		DRAWING NO C-1747602		
4 PLC ± -		RESTRICTED TO		
ANGLES ± -		SCALE 尺度 2:1		
FINISH 仕上		SHEET 1 OF 2		
MATERIAL 材料		REV 0		
①		CUSTOMER DRAWING		
②				

THIS DRAWING IS UNPUBLISHED. RELEASED FOR PUBLICATION JUN, 2004.
 © COPYRIGHT 2004 BY TYCO ELECTRONICS CORPORATION. ALL RIGHTS RESERVED.

LOC	DIST	REVISIONS					
J		P	LTR	DESCRIPTION	DATE	DWN	APVD
				SEE SHEET 1	-	-	-



1. PEELING RESISTANCE: 01 TO 0.7N
2. PEELING SPEED : 300MM/MINUTES



1	KAPTON TAPE 6x6	②
1	PLUG ASSY 7P	①
QYT	NAME	ITEM NO.

THIS DRAWING IS A CONTROLLED DOCUMENT.

DWN	T.KATANO	15JUN04
CHK	T.KIMURA	15JUN04
APVD	K.IKEGAMI	15JUN04
PRODUCT SPEC	製品規格	108-5775
APPLICATION SPEC	取付適用規格	
WEIGHT		

tyco Electronics
 Tyco Electronics AMP K.K.
 Kawasaki, Japan

NAME 名称: PLUG ASSEMBLY
 PRODUCT SPEC 製品規格: 2.5mm PITCH BATTERY CONNECTOR 7POS.

SIZE	CAGE CODE	DRAWING NO	RESTRICTED TO
A3	00779	C-1747602	

CUSTOMER DRAWING SCALE 尺度 NON SHEET 2 OF 2 REV 0

GENERAL TOLERANCE 一般公差

10 ≥	±0.2
30 ≥ > 10	±0.25
100 ≥ > 30	±0.3
ANGLES	±3°