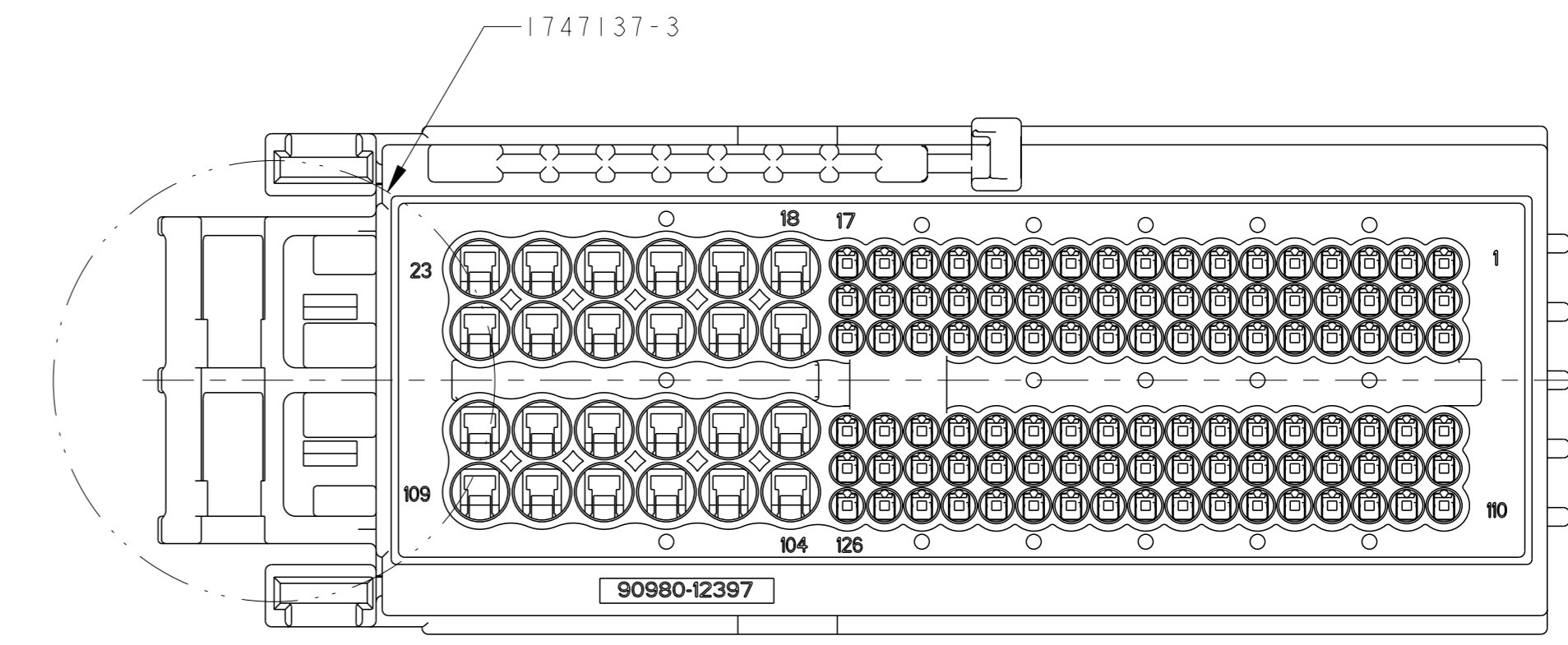
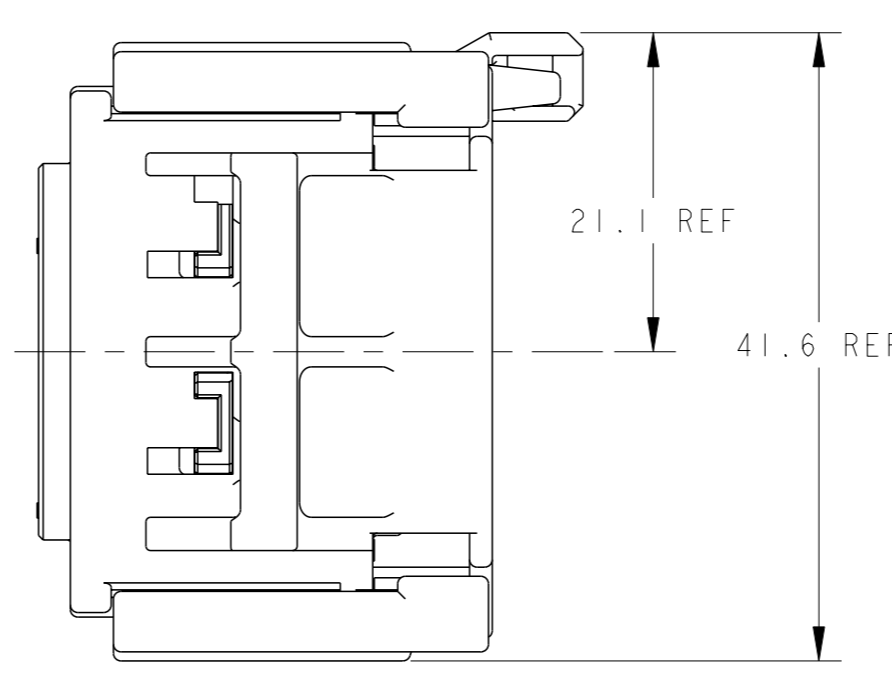
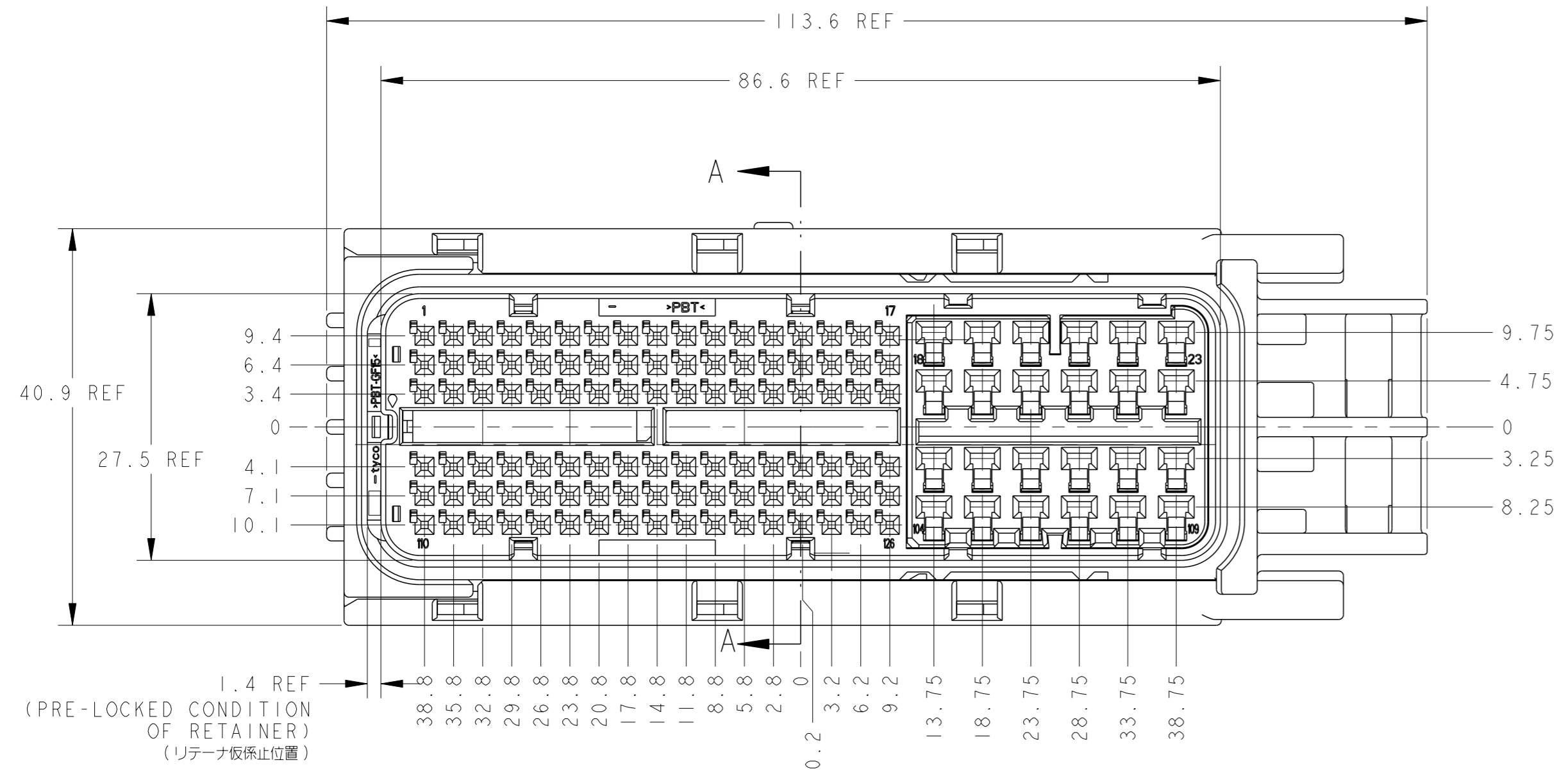
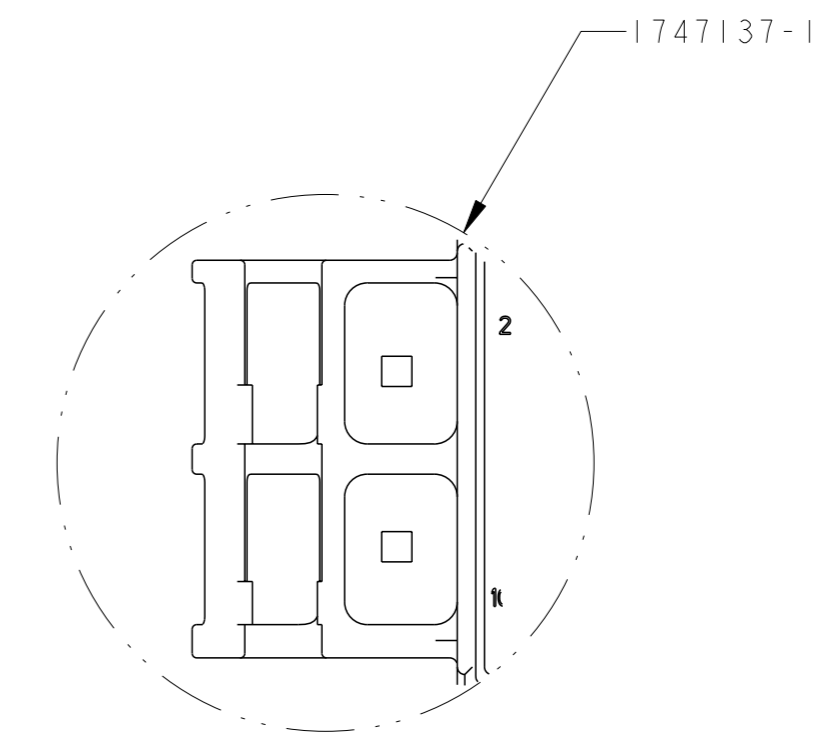
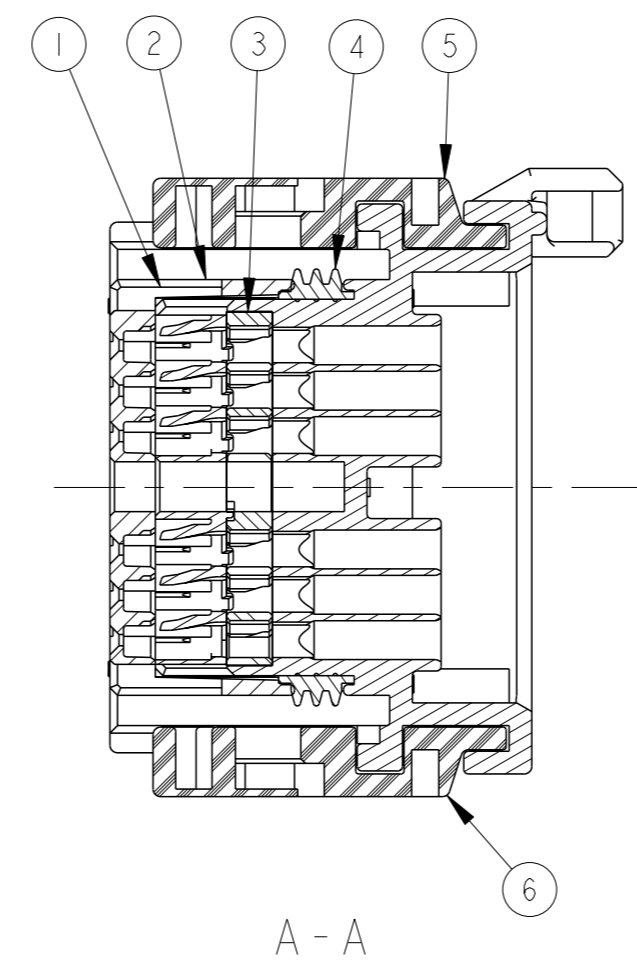
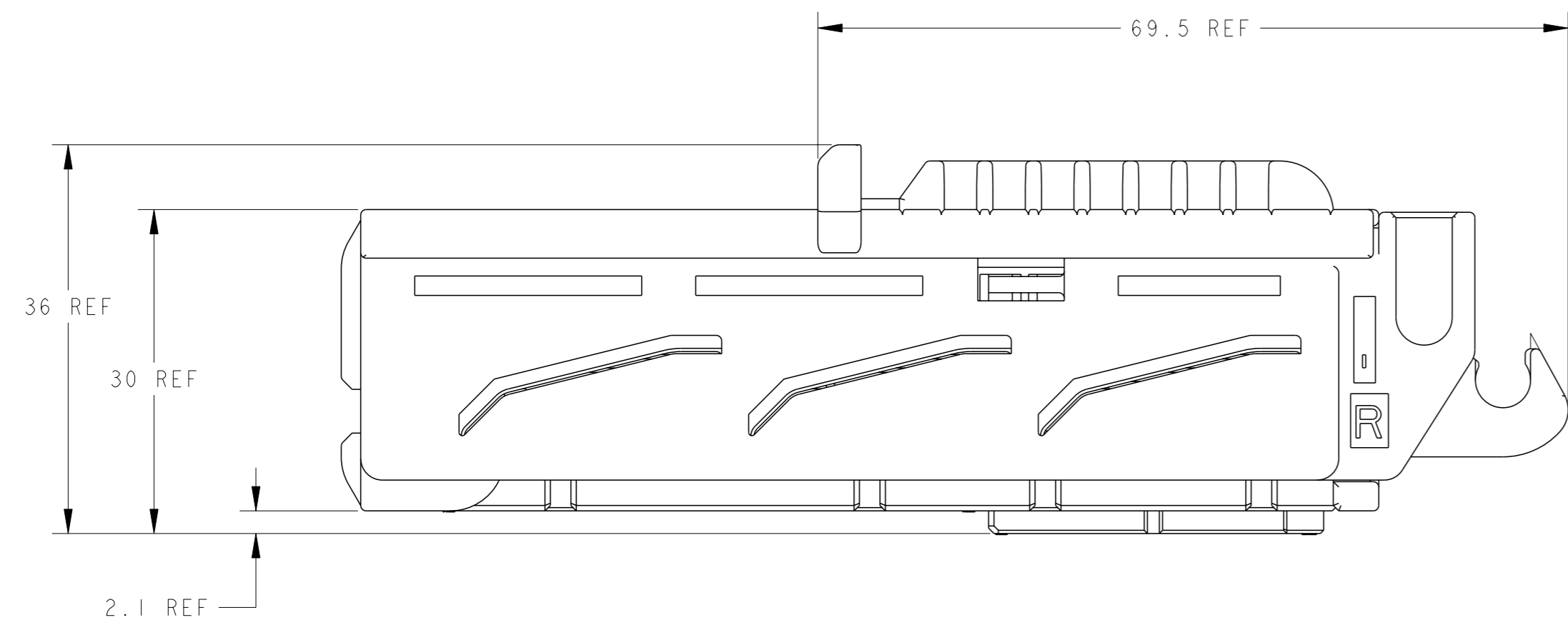


REVISIONS					
REV	DATE	DESCRIPTION	DATE	OWN	APVD
A	10MAY06	RELEASED	10MAY06	SS	KS
A1	04DEC2018	REVISD	04DEC2018	TS	HY
		ECR-18-011775			



1.4 REF
 (PRE-LOCKED CONDITION OF RETAINER)
 (リテーナ板係止位置)

- MATING CONNECTOR IS(P/N):
 1747137-1/-3(126POS):1612272(186POS)
 1747137-2/-4(89POS):1717313(149POS)
- HANDLING OF THIS PART SHOULD FOLLOW INSTRUCTION SHEET NO.411-78084.
- COMPONENTS OF THIS PART;SEE TABLE-1
- THIS PRODUCT IS SHIPPED WITH RETAINER PRE-LOCKED POSITION.
- ASSEMBLED BY CUSTOMER.
 LEVER P/N FOR SUPPLEMEN(P/N):1747139
- PLEASE USE A WIRE COVER. WHEN YOU CANNOT SECURE THE WORKING SPACE BETWEEN A LEVER AND AN ELECTRIC WIRE.
- 1 AND -2 ARE THE CLIP NON-CORRESPONDENCES.

- 適合相手品番 (P/N):
 1747137-1/-3(126POS):1612272(186POS)
 1747137-2/-4(89POS):1717313(149POS)
- 本製品の取扱は取扱説明書NO.411-78084に従うこと
- 本製品の構成部品: TABLE-1参照
- リテーナは取付状態で出荷される。
- レバーは顧客にて組立される。
- 補給用レバー品番 (P/N): 1747139
- レバーと電線の隙間 (作業スペース) が確保出来ない時はカバーを使用下さい。
- 1,-2は、クリップ非対応です。

PAPER BOX ダンボール箱	PAPER BOX ダンボール箱	PAPER BOX ダンボール箱	PAPER BOX ダンボール箱	OUTER 外装	PACKING STYLE 梱包形態		
					INNER 内装		
1	1	1	1	BLACK	PBT	SLIDER-L	6
1	1	1	1	BLACK	PBT	SLIDER-R	5
1	1	1	1	REDDISH BROWN	SILICONE	SEAL RING	4
1	--	1	--	LIGHT GLAY	PBT	89POS RETAINER	3
--	1	--	1	NATURAL		126POS RETAINER	
1	1	1	1	BLACK	PBT	FRONT CAV	2
1	--	--	--	BLACK	PBT	89POS PLUG HSG FOR CLIP	1
--	1	--	--			126POS PLUG HSG FOR CLIP	
--	--	1	--			89POS PLUG HSG	
--	--	--	1			126POS PLUG HSG	
1747137-4	1747137-3	1747137-2	1747137-1	COLOR	MATERIAL	NAME	ITEM NO.
89POS	126POS	89POS	126POS	AVAILABLE CAVITY POS / 使用可能キャビティ数			
69 g	69 g	70 g	70 g	NET WEIGHT 質量			

THIS DRAWING IS A CONTROLLED DOCUMENT.

OWN: S. SHISHIKURA TOMAY06
 CHK: K. SAKAMAKI TOMAY06
 APVD: S. ISOHATA TOMAY06

DIMENSIONS: 公差 ±0.3
 TOLERANCES UNLESS OTHERWISE SPECIFIED: 公差 ±0.3

MATERIAL: SEE TABLE
 FINISH: SEE TABLE

WEIGHT: SEE TABLE
 CUSTOMER DRAWING

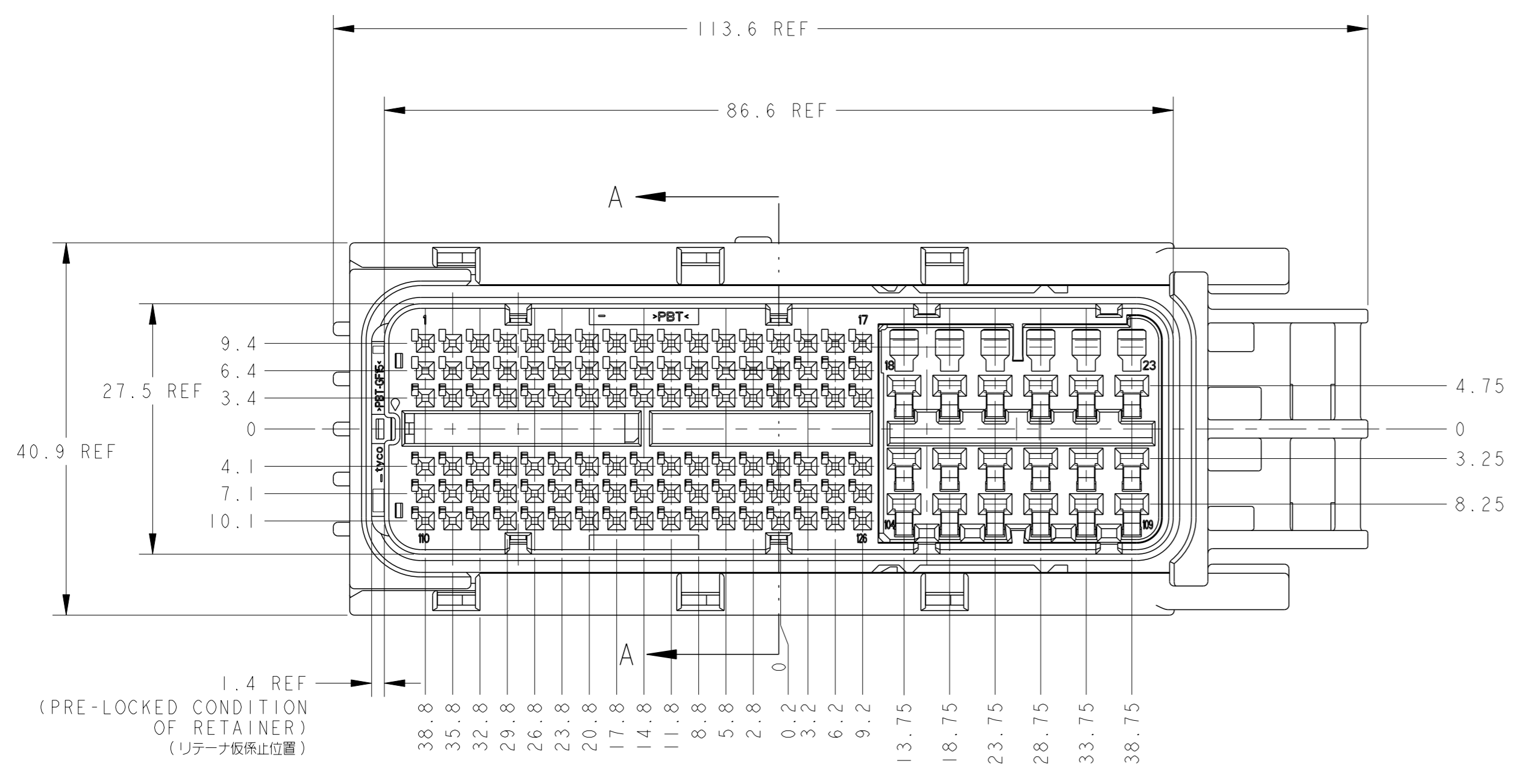
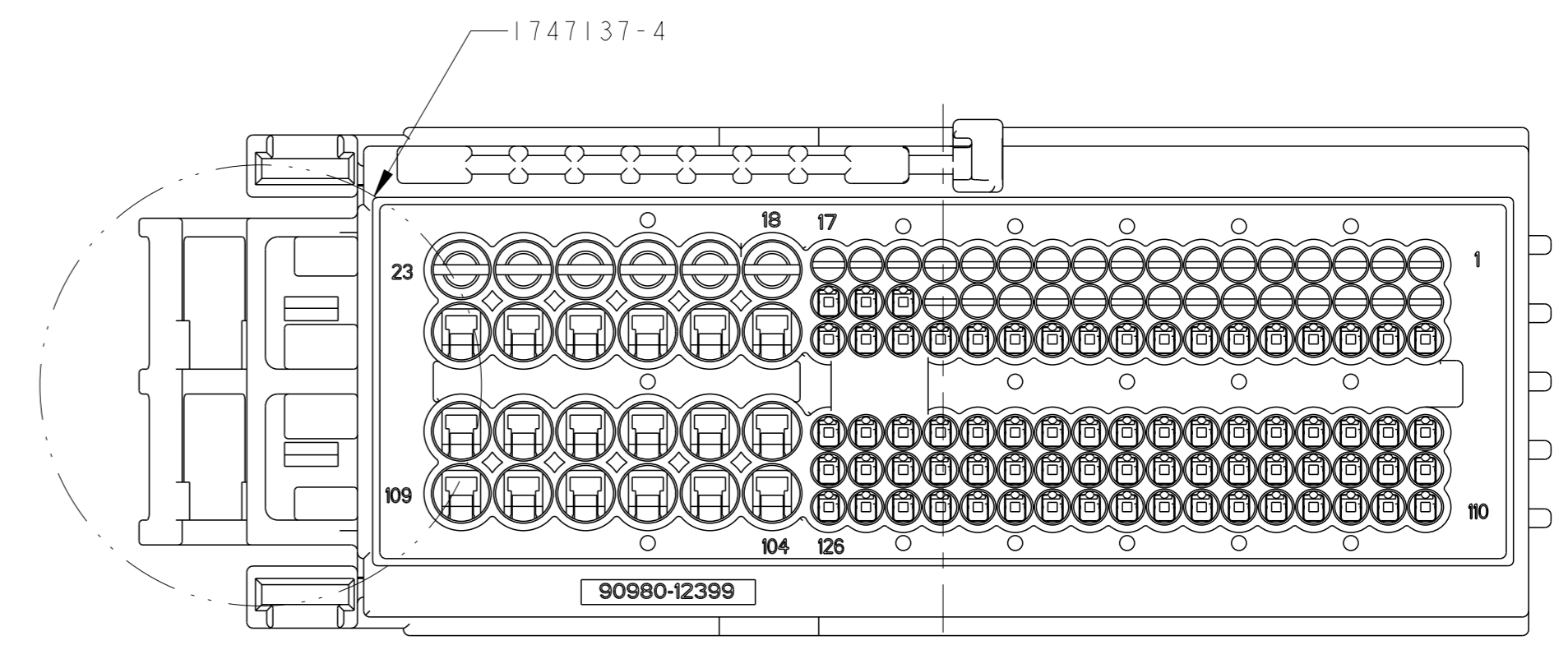
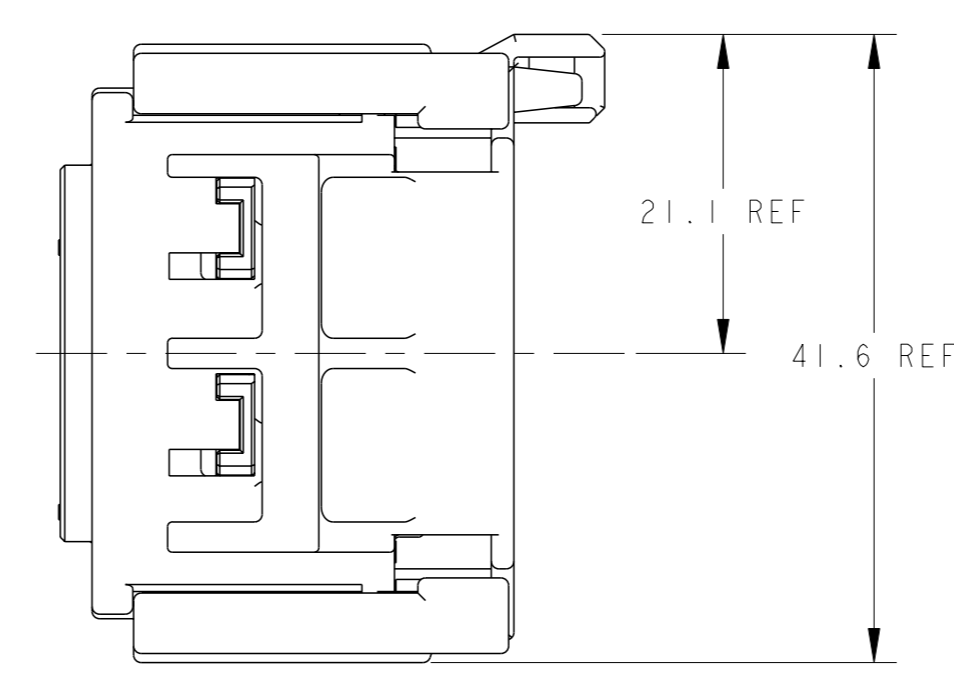
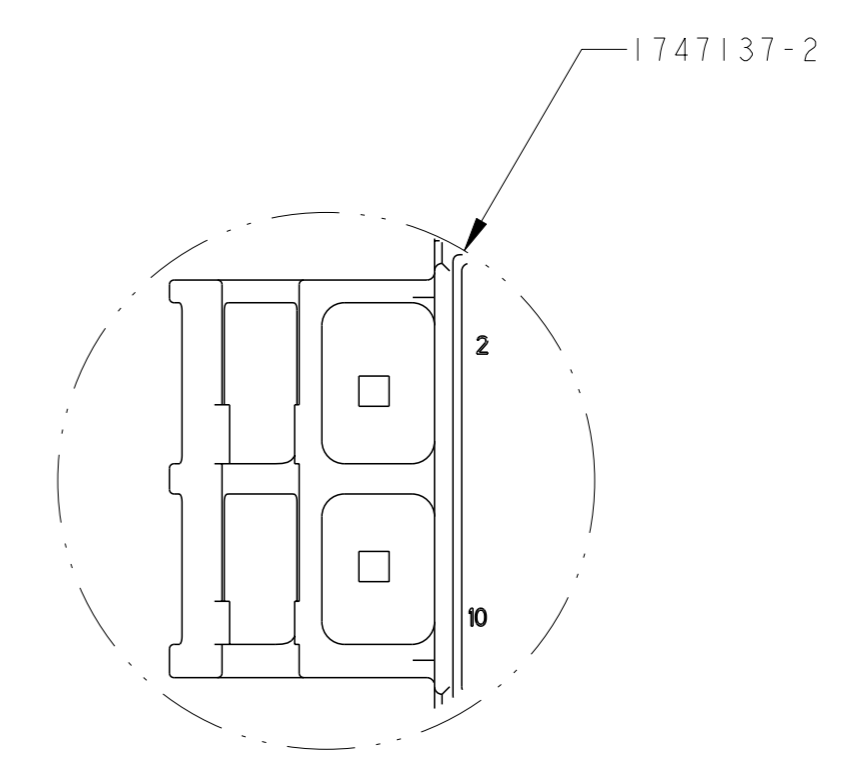
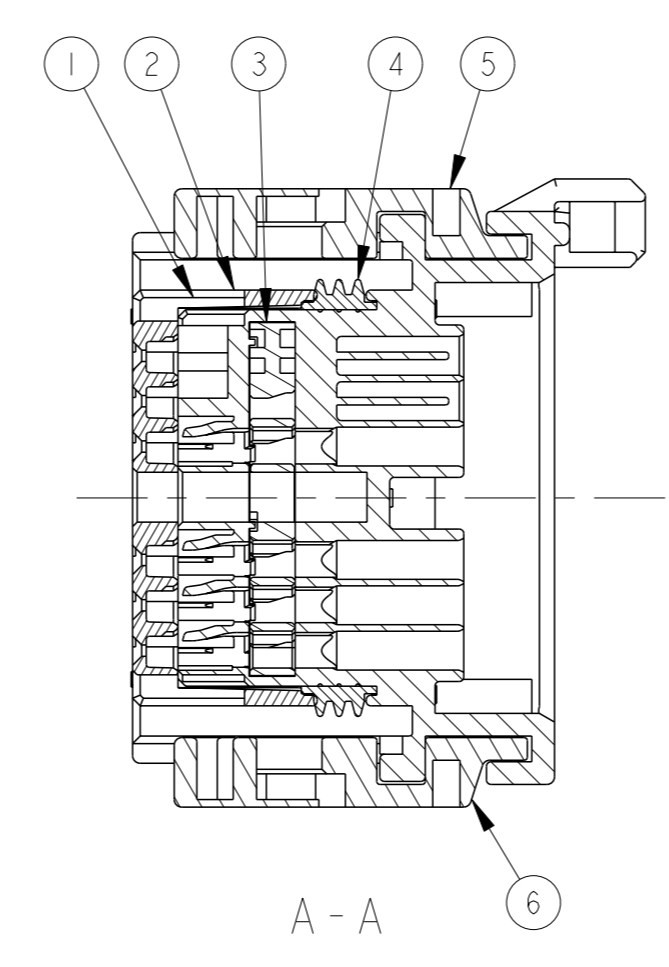
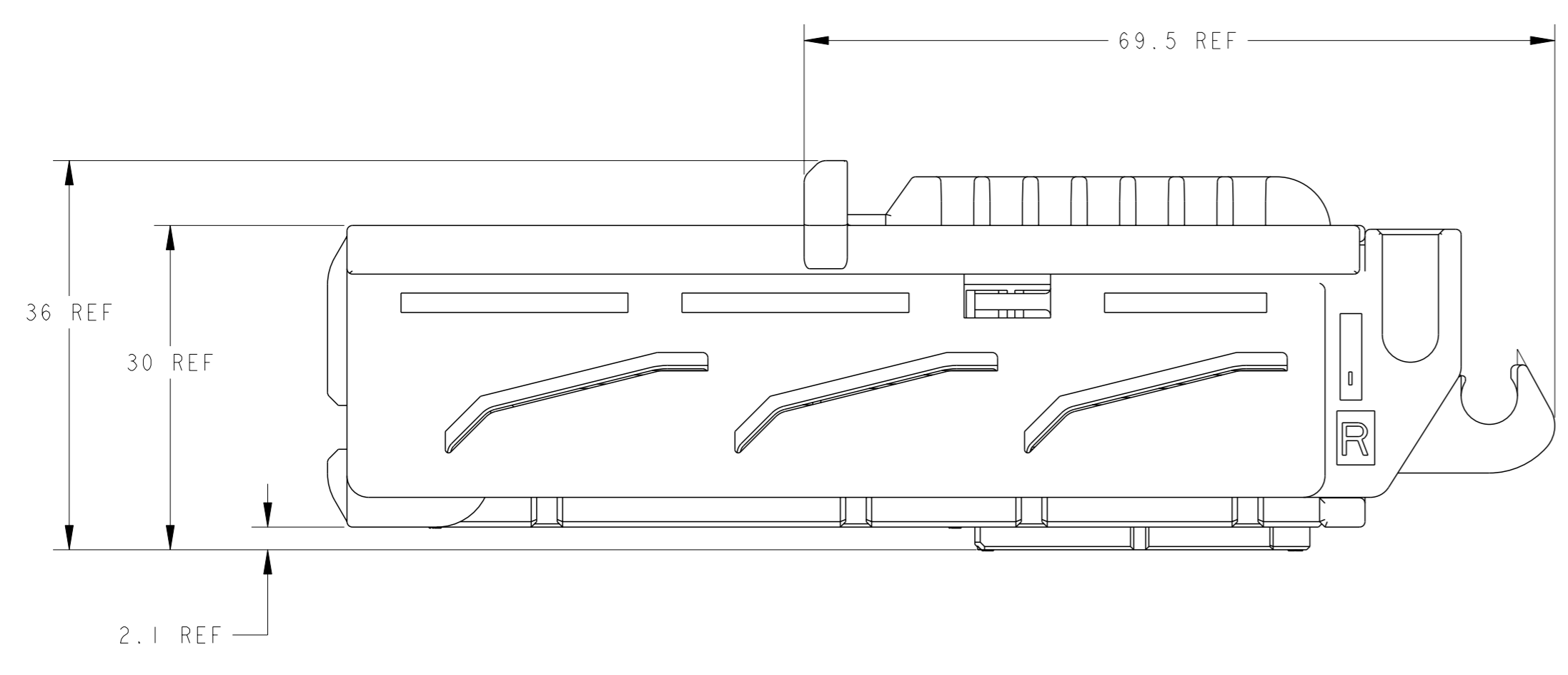
SIZE: 100779
 CAGE CODE: 1747137
 DRAWING NO: 1747137

TE Connectivity
 SEALED EFI ECU
 0.64/2.311 I/O CONNECTOR
 126POS/89POS PLUG HOUSING ASSY

SCALE: 2:1 SHEET 1 OF 2 REV A1

REVISIONS				
REV	DATE	BY	APPV	DESCRIPTION
-	-	-	-	SEE SHEET 1

-2, -4: AS SHOWN
 -2, -4: 本圖



THIS DRAWING IS A CONTROLLED DOCUMENT.		OWN -	NAME
DIMENSIONS: mm		CHK -	SEAL
TOLERANCES UNLESS OTHERWISE SPECIFIED:		APVD -	PRODUCT SPEC
0 PLC ±		APPLICATION SPEC	
1 PLC ±		WEIGHT	
2 PLC ±		MATERIAL	
3 PLC ±		FINISH	
4 PLC ±		ANGLES	
FINISH		CUSTOMER DRAWING	

TE Connectivity SEALED EFI ECU 0.64/2.311 I/O CONNECTOR 126POS/89POS PLUG HOUSING ASSY	
SIZE	CAGE CODE DRAWING NO
A1	00779-1747137
SCALE	SHEET
2:1	2 OF 2
REV	1