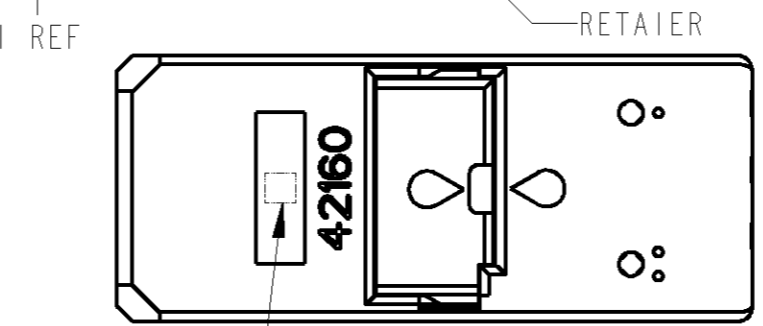
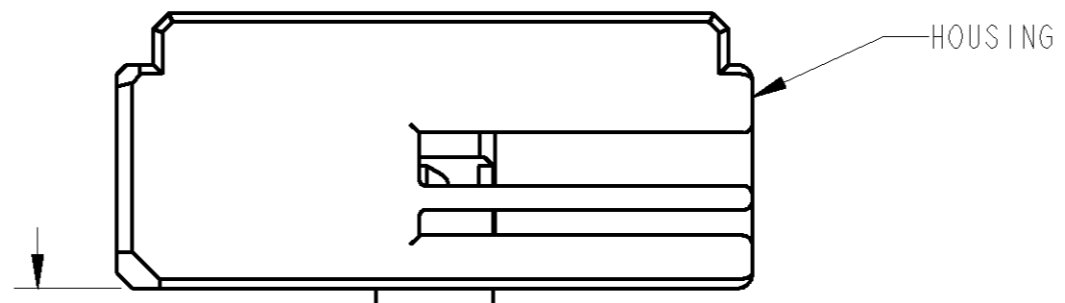
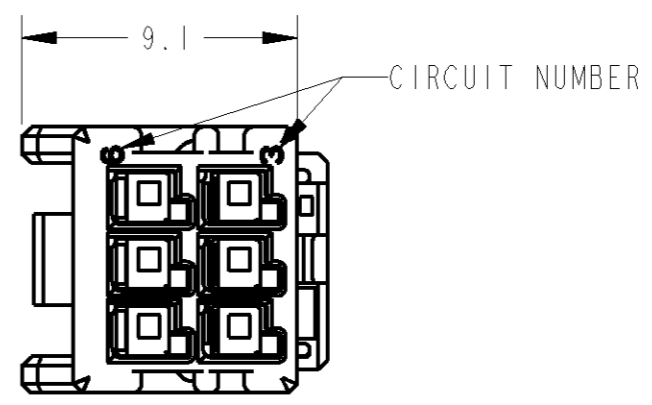
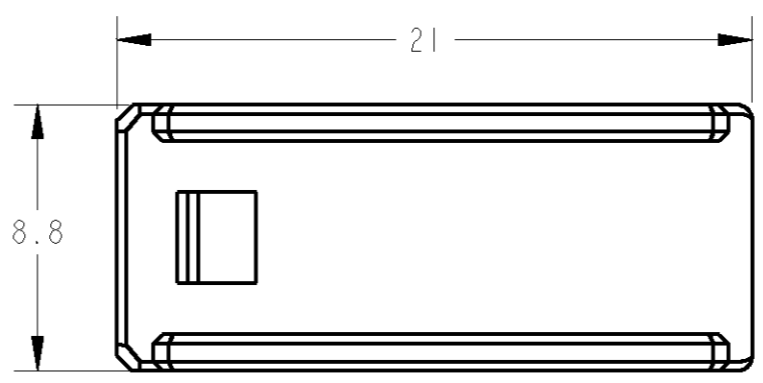
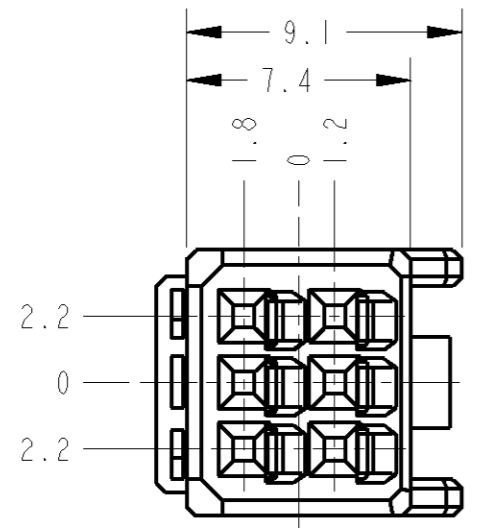


THIS DRAWING IS UNPUBLISHED. RELEASED FOR PUBLICATION
 © COPYRIGHT 2005 BY TYCO ELECTRONICS CORPORATION. ALL RIGHTS RESERVED.

LOC	DIST	REVISIONS						
		P	LTR	DESCRIPTION	ECN	DATE	DWN	APVD
J	-		A	RELEASED	-	15FEB2005	YS	HY
			B	REVISED	ECR-11-001260	19JAN11	TS	KB



1. RETAINER SHOULD BE SENT TO THE PRE-ASSEMBLY.
2. INSTRUCTION SHEET NO. 411-78150.
3. MATING CONNECTOR PART NO.: SEE TABLE-1
4. APPLICABLE TERMINAL PART NO.: SEE TABLE-2
5. THIS PART IS COMBINED WITH 1747088.

1. プラグハウジングにリテーナを仮係止して出荷される。
2. 取扱説明書NO. 411-78150
3. 嵌合相手型番: TABLE-1参照
4. 適用端子: TABLE-2参照
5. 本部品は1747088と組合せて使用される。

PAPER BOX ダンボール	PLASTIC BAG ビニール袋	NATURAL	1747085-1
OUTER 外装	INNER 内装	COLOR	PART NUMBER
PACKING STYLE 梱包形態			

TABLE-1

POS 極数	CAP ASSEMBLY PART NO.
26	1747080
28	1747082

TABLE-2

	TERMINAL NO. 端子型番	APPLICABLE WIRE RANGE 適用電線
0.64111 SIGNAL	TIN	1674311-1
	SELECTIVE GOLD	1674311-2
		0.3~0.5mm ²

THIS DRAWING IS A CONTROLLED DOCUMENT FOR TYCO ELECTRONICS CORPORATION
 IT IS SUBJECT TO CHANGE AND THE CONTROLLING ENGINEERING ORGANIZATION
 SHOULD BE CONTACTED FOR THE LATEST REVISION.

DWN Y. SHINDO	15FEB2005	Tyco Electronics Corporation Kawasaki, Japan	NAME 名称 0.64111 2ROW 6POS PLUG HOUSING ASSY
CHK H. YAMAGAMI	15FEB2005		
APVD S. ISOHATA	15FEB2005		
PRODUCT SPEC 製品規格	108-5773	SIZE A3	CAGE CODE 00779
APPLICATION SPEC 取付適用規格	114-5329	DRAWING NO 番号 C=1747085	RESTRICTED TO -
MATERIAL 材料 PBT	FINISH 仕上 SEE TABLE	WEIGHT 1.1g	SCALE 尺度 4:1
CUSTOMER DRAWING		SHEET 1	OF 1
		REV B	