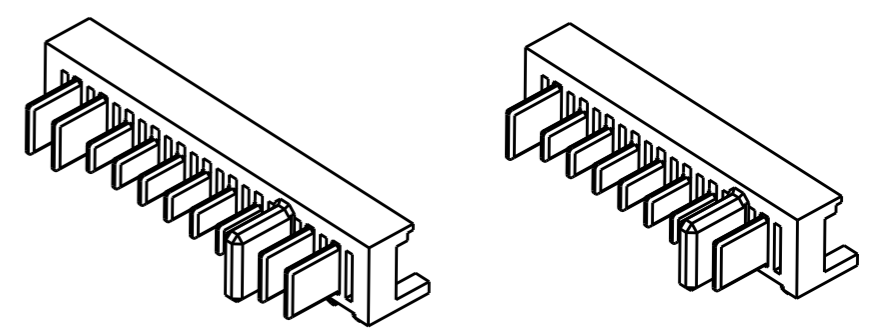
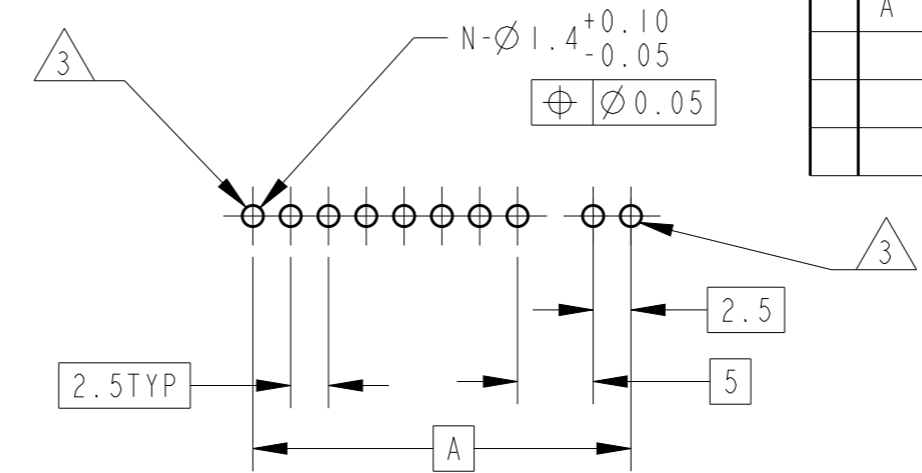
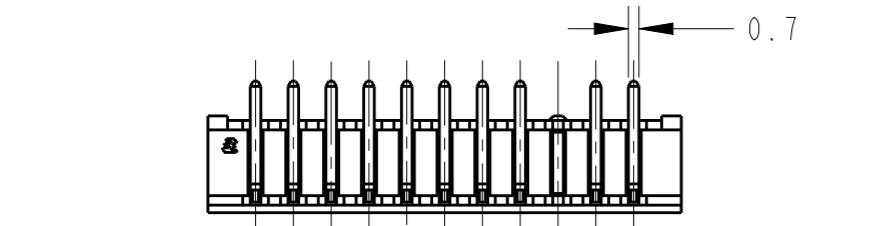
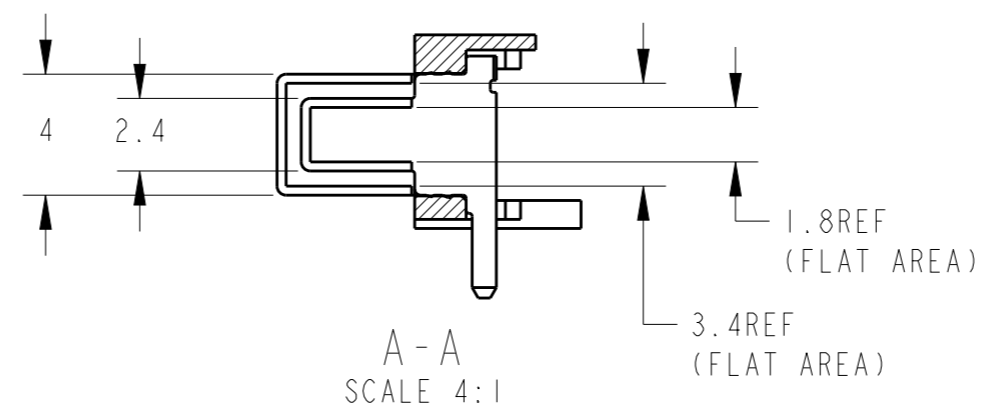
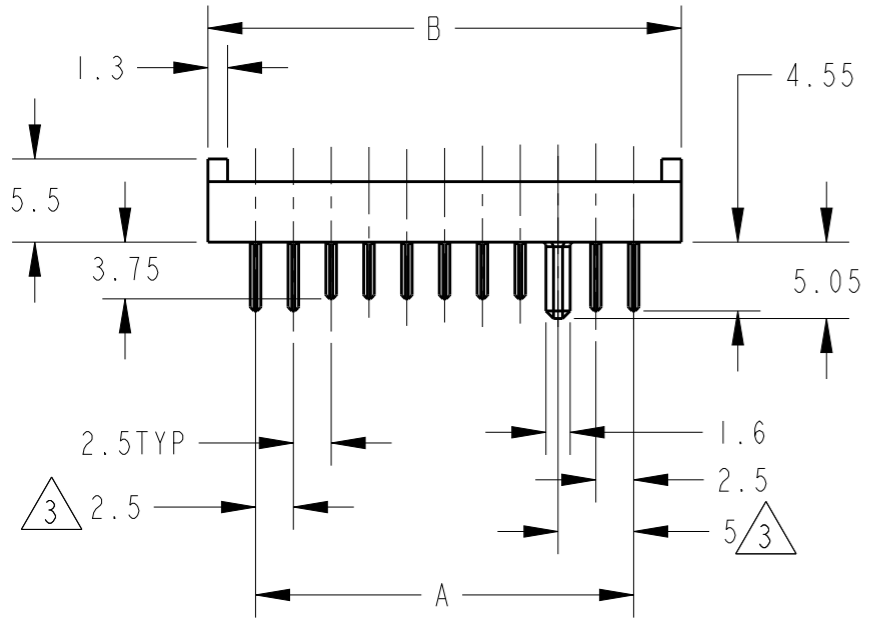


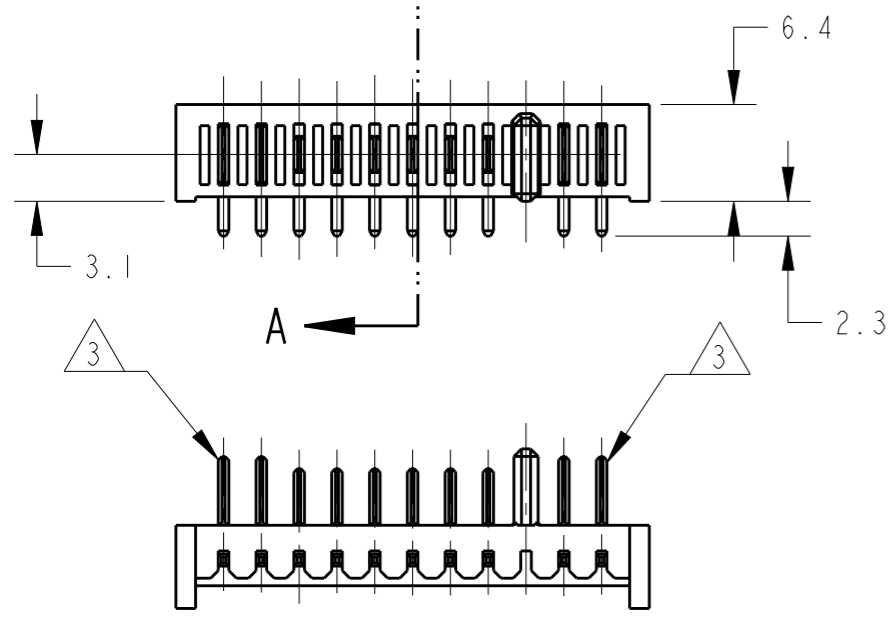
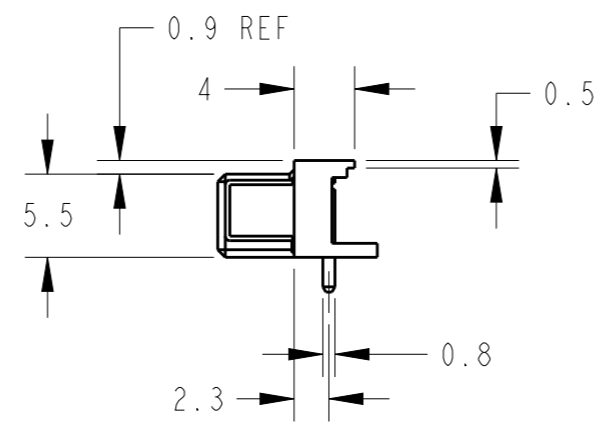
REVISIONS					
P	LTR	DESCRIPTION	DATE	DWN	APVD
	A	RELEASED	4SEP2014	S.H	V.P



REFERENCE P.C. BOARD LAYOUT  
 P.C. BOARD THK 0.8~1.2  
 (VIEW FROM CONNECTOR MOUNTING SIDE)



- 1 MATERIAL  
 HOUSING: THERMOPLASTIC RESIN  
 UL94V-0, BLACK
- 2 FINISH  
 CONTACT: COPPER ALLOY  
 CONTACT: Ni ALL OVER UNDER PL.  
 GOLD PL. AT CONTACT AREA  
 GOLD FLUSH PL. AT LEAD AREA
- 3 10POS. CONNECTOR ONLY
- 4 OBSOLETE PARTS: OBSOLETE CIS STREAMLINING  
 PER D.RENAUD/D.SINISI



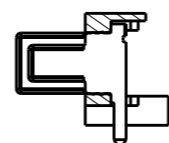
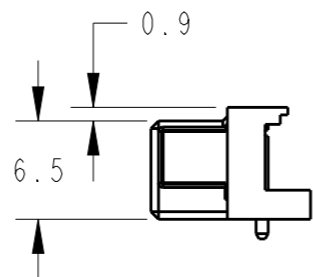
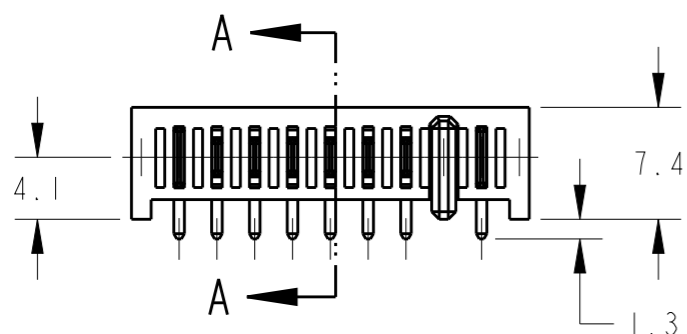
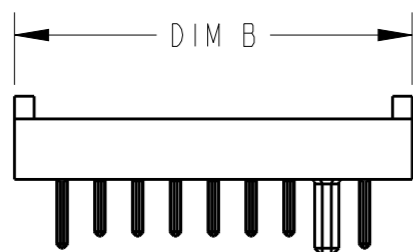
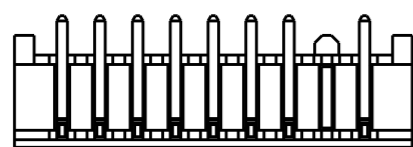
	PA 9T	TAPE REEL	26.3	20	8	1746498-5
	PA 6T	TAPE REEL	26.3	20	8	1746498-3
	PA 6T	TRAY	26.3	20	8	1746498-2
4	<del>PA 6T</del>	<del>TRAY</del>	<del>31.3</del>	<del>25</del>	<del>10</del>	<del>1746498-1</del>
MARK	HOUSING MATERIAL	PACKAGING	B	A	N	P/N

THIS DRAWING IS A CONTROLLED DOCUMENT.

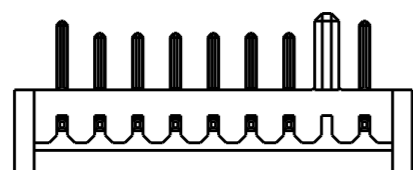
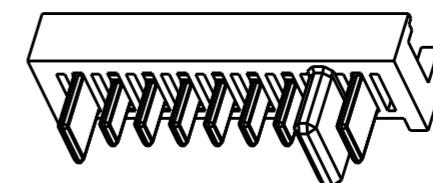
DIMENSIONS: mm	TOLERANCES UNLESS OTHERWISE SPECIFIED: ± 0.3	DWN S. HUANG 4SEP2014	TE Connectivity
0 PLC ± 1 PLC ±0.1 2 PLC ±0.01 3 PLC ±0.001 4 PLC ±0.0001 ANGLES ±3°	FINISH 1 2	CHK W. CHEN 4SEP2014 APVD V. PENG 4SEP2014	
MATERIAL 1		PRODUCT SPEC 108-5775	NAME PLUG ASSEMBLY 2.5mm PITCH BATTERY CONNECTOR
		APPLICATION SPEC 501-5264	SIZE A3
		WEIGHT	CAGE CODE 00779
		Customer Drawing	DRAWING NO 1746498
			RESTRICTED TO
			SCALE 2:1
			SHEET 1 OF 2
			REV A

REVISIONS

P	LTR	DESCRIPTION	DATE	DWN	APVD
-	-	SEE SHEET 1	-	-	-




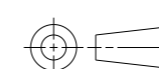
SECTION A-A



- 1 MATERIAL  
HOUSING: THERMOPLASTIC RESIN  
UL94V-0, BLACK  
CONTACT: COPPER ALLOY
- 2 FINISH  
CONTACT: Ni ALL OVER UNDER PL.  
GOLD PL. AT CONTACT AREA  
GOLD FLUSH PL. AT LEAD AREA
- 3 8POS. CONNECTOR ONLY
- 4. NON-DIMENSION AND TOLERANCE SAME AS 1746498-2
- 5. OTHER REQUIRMENT PLEASE SEE SHEET 1/2
- 6. REFERENCE P.C.BOARD LAYOUT PLEASE SEE SHEET 1/2.

1746498-4/-6 AS SHOWN

PA 9T	TRAY	26.3	20	8	1746498-6
PA 6T	TRAY	26.3	20	8	1746498-4
HOUSING MATERIAL	PACKAGING	B	A	N	P/N

THIS DRAWING IS A CONTROLLED DOCUMENT.		DWN	 TE Connectivity		
DIMENSIONS: mm		CHK			
		APVD			
TOLERANCES UNLESS OTHERWISE SPECIFIED: $\pm 0.3$ 0 PLC $\pm$ 1 PLC $\pm 0.1$ 2 PLC $\pm 0.01$ 3 PLC $\pm 0.001$ 4 PLC $\pm 0.0001$ ANGLES $\pm 3^\circ$		PRODUCT SPEC			
MATERIAL	FINISH	APPLICATION SPEC	NAME PLUG ASSEMBLY 2.5mm PITCH BATTERY CONNECTOR		
1	2	WEIGHT	SIZE	CAGE CODE	DRAWING NO
Customer Drawing		A3	00779	C-1746498	
SCALE		SHEET		REV	
2:1		2 OF 2		A	