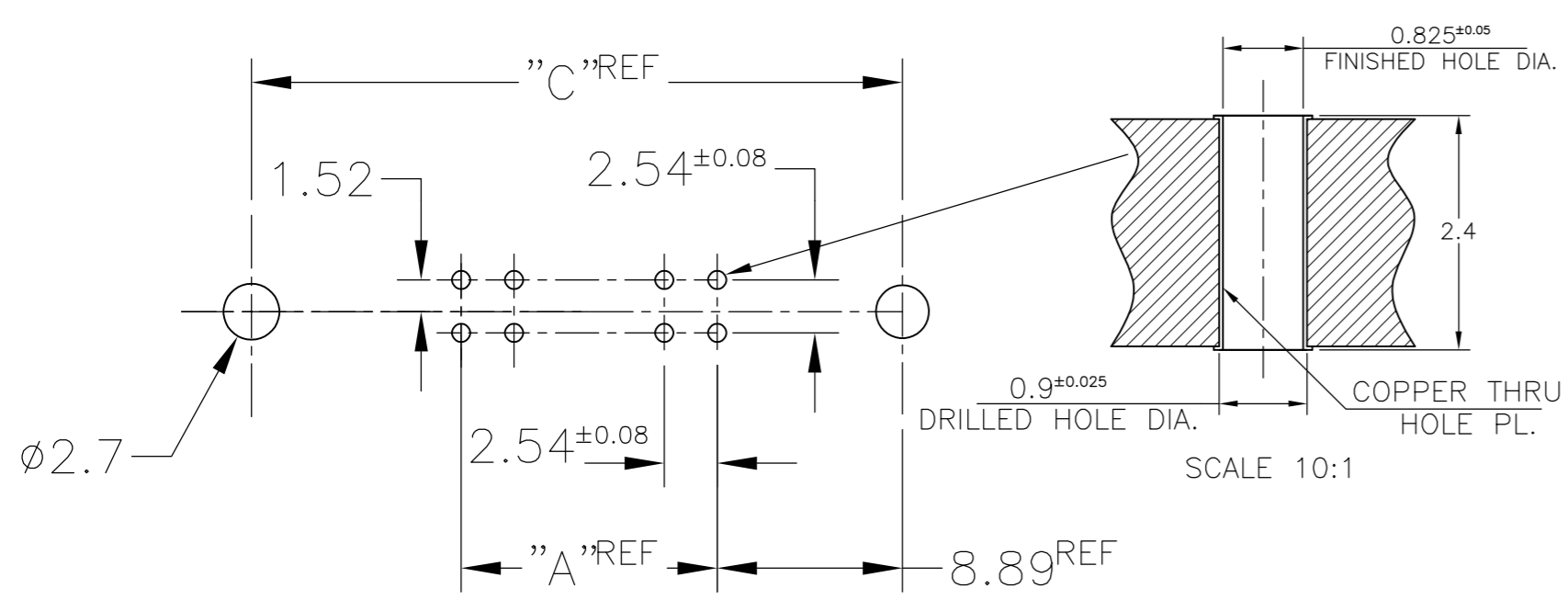
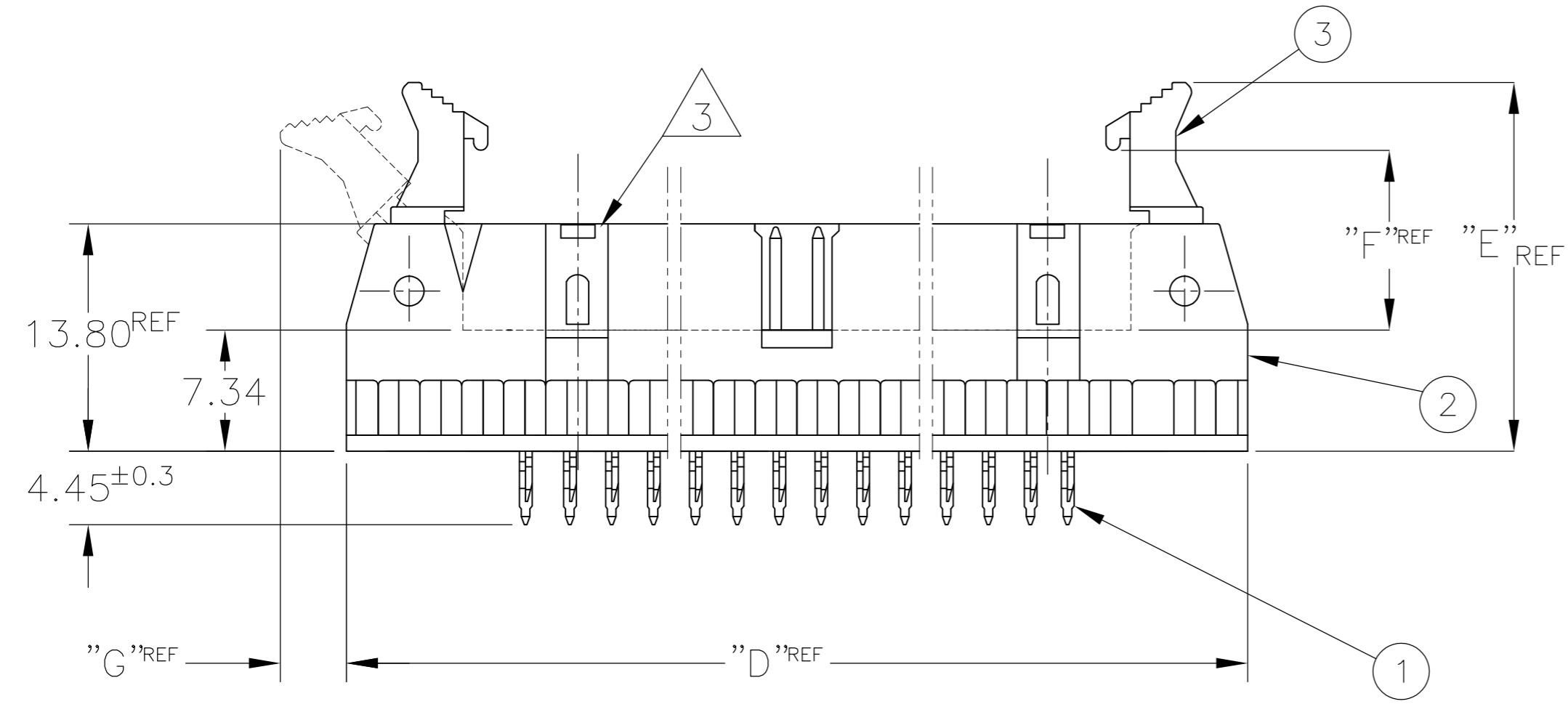
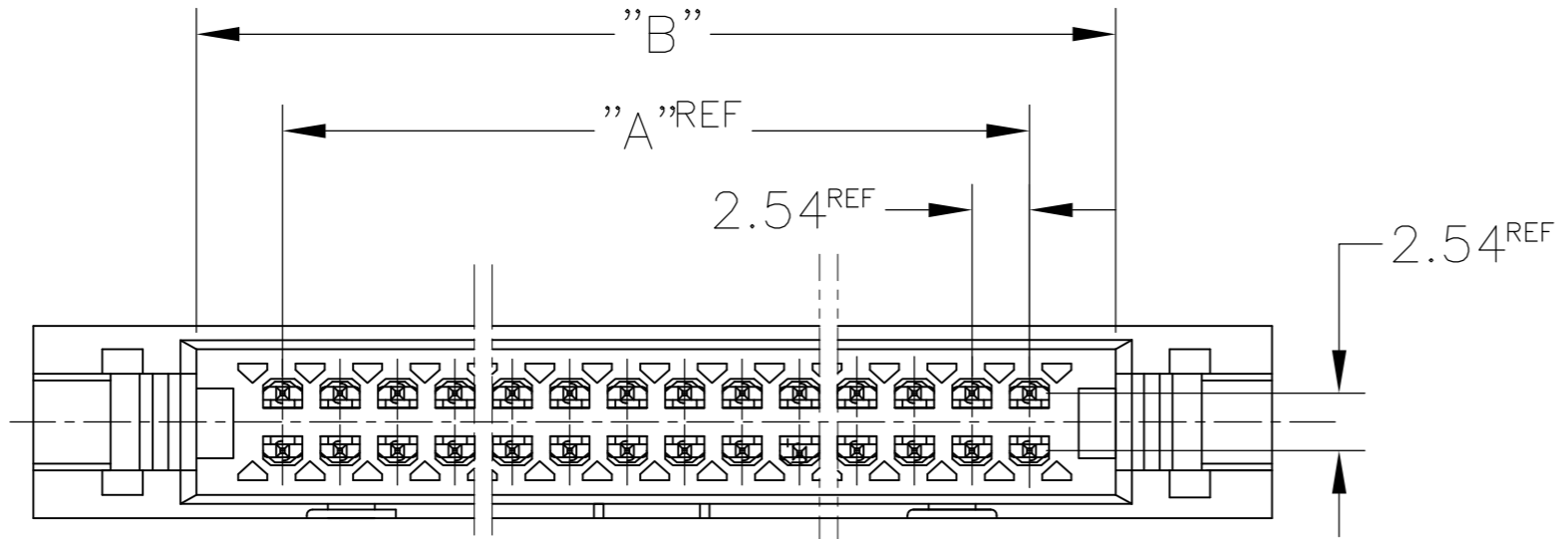


THIS DRAWING IS UNPUBLISHED. RELEASED FOR PUBLICATION
 © COPYRIGHT - By - ALL RIGHTS RESERVED.

LOC		DIST		REVISIONS			
P	LTR	DESCRIPTION		DATE	DWN	APVD	
G		REVISED PER ECR-13-004279		26MAR13	K.M	E.T	

NOTES:

- 1 FINISH; MATING-EDGE 0.2μm MIN.GOLD, ACTION SIDE 1~2.5μm TIN-LEAD OVER NICKL.
- 2 FINISH; MATING-EDGE 0.76μm MIN.GOLD, ACTION SIDE 1~2.5μm TIN-LEAD OVER NICKL.
- 3 SNAP-IN POLAIZERS P/N 927636-1 OR 927637-1 CAN BE APPLIED.



RECOMMENDED
P.C. BOARD DIMENSION
SCALE 3:1

	FINISH	"G"	"F"	"E"	"D"	"C"	"B"	"A"	POS.	P/N
OBSOLETE	1				44.7	40.6	30.5	22.86	20	174584-1
	1				70.1	66.0	55.9	48.26	40	174584-2
	1				82.8	78.7	68.6	60.96	50	174584-3
	1				95.5	91.4	81.3	73.66	60	174584-4
	1	5.0	10.59	21.78	44.7	40.6	30.5	22.86	20	174584-1
	1	5.0	10.59	21.78	70.1	66.0	55.9	48.26	40	174584-2
	1	5.0	10.59	21.78	82.8	78.7	68.6	60.96	50	174584-3
	1	5.0	10.59	21.78	95.5	91.4	81.3	73.66	60	174584-4
	1	7.0	14.65	25.84	44.7	40.6	30.5	22.86	20	2-174584-1
	1	7.0	14.65	25.84	70.1	66.0	55.9	48.26	40	2-174584-2
OBSOLETE	1	7.0	14.65	25.84	82.8	78.7	68.6	60.96	50	2-174584-3
	1	7.0	14.65	25.84	95.5	91.4	81.3	73.66	60	2-174584-4
	1	7.0	14.65	25.84	52.3	48.3	38.1	30.48	26	2-174584-5
OBSOLETE	1	7.0	14.65	25.84	62.5	58.4	48.3	40.64	34	2-174584-6
	2				44.7	40.6	30.5	22.86	20	3-174584-1
	2				70.1	66.0	55.9	48.26	40	3-174584-2
	2				82.8	78.7	68.6	60.96	50	3-174584-3
	2				95.5	91.4	81.3	73.66	60	3-174584-4
	2	-	-	-	62.5	58.4	48.3	40.64	34	3-174584-6
OBSOLETE	2	5.0	10.59	21.78	44.7	40.6	30.5	22.86	20	4-174584-1
	2	5.0	10.59	21.78	70.1	66.0	55.9	48.26	40	4-174584-2
	2	5.0	10.59	21.78	82.8	78.7	68.6	60.96	50	4-174584-3
	2	5.0	10.59	21.78	95.5	91.4	81.3	73.66	60	4-174584-4
	2	5.0	10.59	21.78	100.58	96.5	86.36	78.74	64	4-174584-7
OBSOLETE	2	7.0	14.65	25.84	44.7	40.6	30.5	22.86	20	5-174584-1
	2	7.0	14.65	25.84	70.1	66.0	55.9	48.26	40	5-174584-2
	2	7.0	14.65	25.84	82.8	78.7	68.6	60.96	50	5-174584-3
OBSOLETE	2	7.0	14.65	25.84	95.5	91.4	81.3	73.66	60	5-174584-4
	2	7.0	14.65	25.84	52.3	48.3	38.1	30.48	26	5-174584-5
OBSOLETE	2	7.0	14.65	25.84	62.5	58.4	48.3	40.64	34	5-174584-6

-	THERMOPLASTIC POLYESTER	LATCH	3
-	THERMOPLASTIC POLYESTER	HDR HOUSING	2
1 2	COPPER ALLOY	ACTION PIN POST	1
FINISH	MATERIAL	NAME	SL NO

THIS DRAWING IS A CONTROLLED DOCUMENT.		DWN H.AMIKURA 6/19/1996		
DIMENSIONS: mm		CHK -		
TOLERANCES UNLESS OTHERWISE SPECIFIED:		APVD T.SASAKI	NAME	
0 PLC ± -		PRODUCT SPEC 108-5265	AMP-LATCH HDR ASS'Y WITH ACTION PIN	
1 PLC ± 0.2		APPLICATION SPEC 114-5168	SIZE A2	CAGE CODE 00779
2 PLC ± 0.25		WEIGHT -	DRAWING NO C=174584	RESTRICTED TO -
3 PLC ± 0.3		CUSTOMER DRAWING	SCALE 2:1	SHEET 1 of 1
4 PLC ± -			REV G	
ANGLES ± 0.3°				