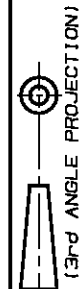


NUMBER  
174520

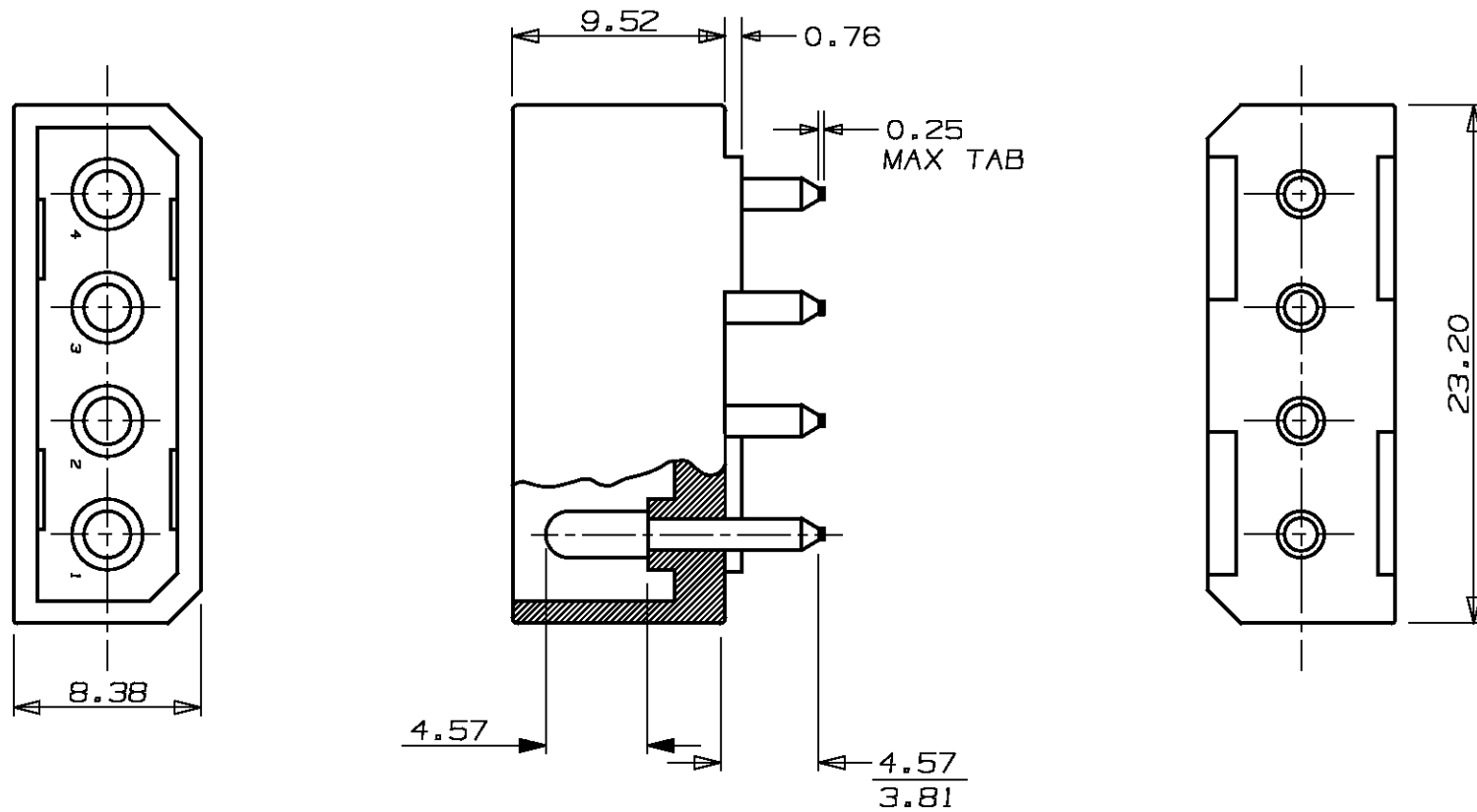


METRIC

CONFIDENTIAL INFORMATION

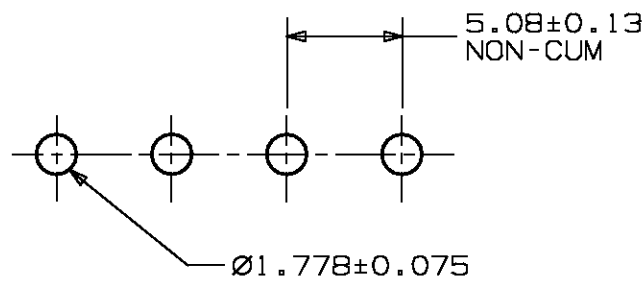
DIMENSIONS IN MM. DO NOT SCALE PRINT

PRINT DIST



NOTES

- 1 PARTS COMPLY WITH AMP SOLDERABILITY SPEC 109-11-3
- 2 CONTACT IS PLATED OVER ALL WITH 0.0013 NICKEL. THEN 0.00075 GOLD OVER CONTACT LENGTH INDICATED AND MATTE TIN ON SOLDER TAIL END.
- 3 PIN RETENTION IN HOUSING 6 LBS. MIN
- 4 OBSOLETE PARTS: OBSOLETE CIS STREAMLINING PER D.RENAUD/D.SINISI
- 5 DIMENSION SHOWN REPRESENT PRODUCT IN DRY CONDITION. ADDITIONAL 2% GROWTH DUE TO END USE LOCATION MOISTURE ABSORPTION MAY OCCUR AND SHOULD BE ACCOUNTED FOR.



RECOMMENDED PCB LAYOUT FOR 1.55mm THK PCB

PIN # OMITTED	QTY	FINISH	MATERIAL	QTY	COLOUR	MAT'L	PART NO.		
4	OBSOLETE	2	PRE-TIN CU ALLOY	1	NATURAL	NYLON	<del>2-174520-2</del>		
		4	PRE-TIN CU ALLOY	1	RED	NYLON	2-174520-1		
		4	PRE-TIN CU ALLOY	1	BROWN	NYLON	1-174520-1		
		4	TIN LEAD	1	NATURAL	NYLON	174520-3		
		4	2	1	NATURAL	NYLON	174520-2		
		4	PRE-TIN CU ALLOY	1	NATURAL	NYLON	174520-1		
		<b>PIN #</b>	<b>QTY</b>	<b>FINISH</b>	<b>MATERIAL</b>	<b>QTY</b>	<b>COLOUR</b>	<b>MAT'L</b>	<b>PART NO.</b>
		PIN 4				HOUSING		ASSEMBLY	

				Copyright ©1990		Copyright ©1990 AMP MANUFACTURING SINGAPORE PTE. LTD. ALL RIGHTS RESERVED.		<b>AMP</b>		AMP MANUFACTURING SINGAPORE PTE. LTD.			
(WIRE RANGE)		(INSULATION DIA.)		(NAME)									
mm <sup>2</sup> (AWG - )		- mm $\varnothing$		HEADER ASSY, 4 CIRCUIT COMMERCIAL MATE-N-LOK									
(MATERIAL)		(FINISH)		(GENERAL TOLERANCE)				SIZE	LOC	(No.)			
SEE TABLE		SEE TABLE		0 - 30 ± 0.38				A3	DY	174520			
DR. 30/10/90 EMILY		DE. YS KOH						(SCALE)		REV.	SHEET		
LTR (REVISION RECORD)		DR CHK DATE		APP. D.MARTIN				3:1		C2		1 OF 1	

CUSTOMER DRAWING