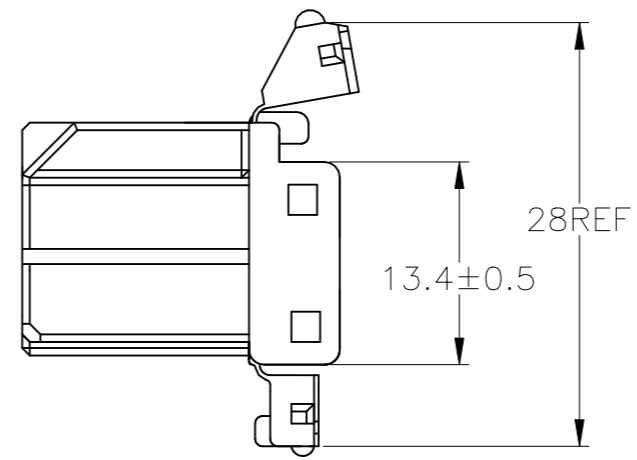
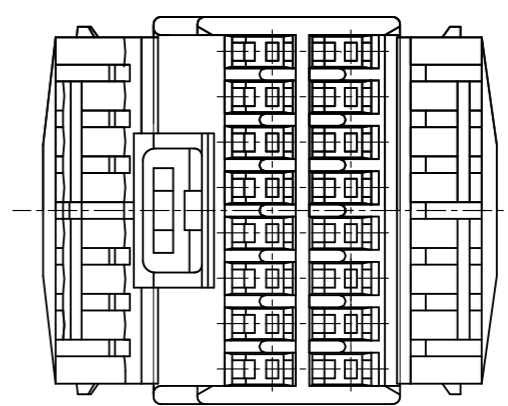
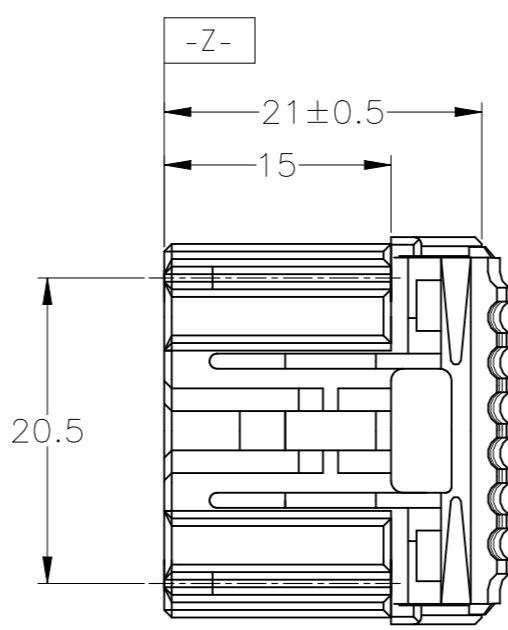
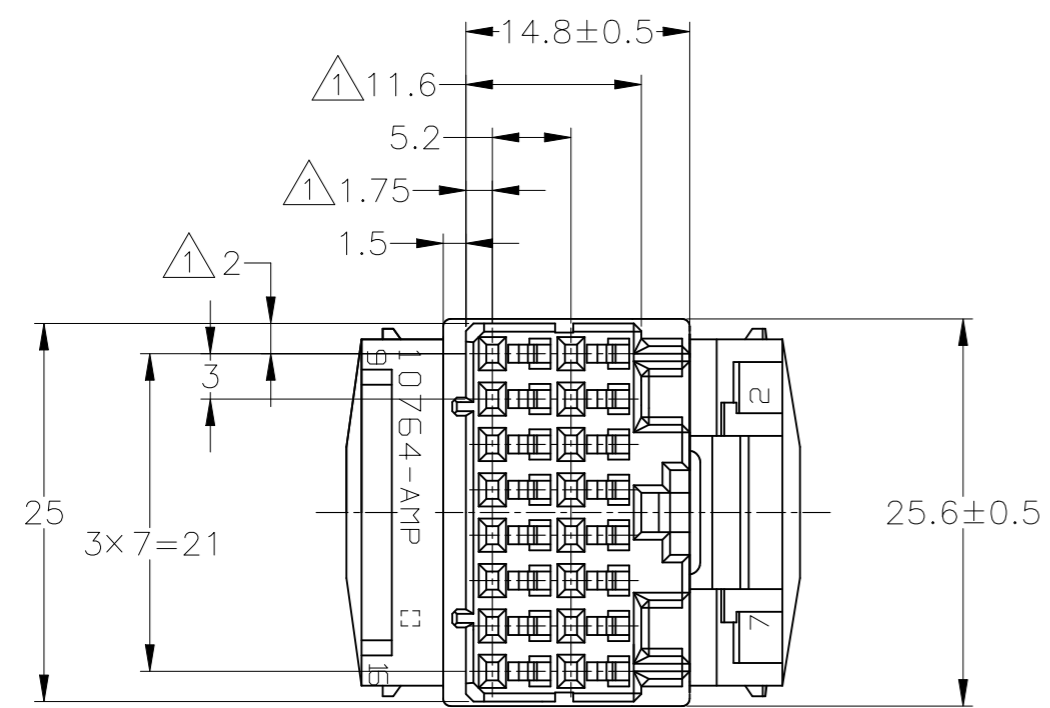


REVISIONS					
P	LTR	DESCRIPTION	DATE	DWN	APVD
	C3	REVISED PER ECR-22-153250	04NOV2022	RK	MT



- ①. MUST BE KEPT BETWEEN [-Z-] AND 2mm
- 2. THE MATING CAP HOUSING PART NUMBER; 174518
- 3. APPLIED CONTACT PART NUMBER; 173716, 175094
- 4. APPLICABLE PRODUCT SPEC NO. 108-5280

- ①. [-Z-] 面より 2mm の範囲で測定。
- 2. 嵌合相手ハウジング型番; 174518
- 3. 内装するリセプタクルコンタクト型番; 173716, 175094
- 4. 適用製品規格番号; 108-5280

	黄 YELLOW	174514-7
OBSOLETE	淡灰 LIGHT GRAY	6-174514-6
	灰 GRAY	174514-6
	白 WHITE	174514-1
	色 COLOR	PART NUMBER

TOLERANCE UNLESS OTHERWISE SPECIFIED: 一般公差	
0 < x ≤ 10	: ±0.2
10 < x ≤ 30	: ±0.25
30 < x ≤ 100	: ±0.3
ANGLE ; 角度	: ±3°

THIS DRAWING IS A CONTROLLED DOCUMENT.		DWN T.SHINOHARA 07SEP10		 TE Connectivity	
DIMENSIONS: mm		CHK K.BETSUI 07SEP10			
TOLERANCES UNLESS OTHERWISE SPECIFIED:		APVD K.BETSUI 07SEP10			
0 PLC ±- 1 PLC ±- 2 PLC ±- 3 PLC ±- 4 PLC ±- ANGLES ±- FINISH -		NAME			
MATERIAL PBT		PRODUCT SPEC SEE NOTE 4		HYBRID I/O CONNECTOR 16 POSITION PLUG HOUSING	
		APPLICATION SPEC -		SIZE A3	CAGE CODE 00779
		WEIGHT -		DRAWING NO C-174514	
		CUSTOMER DRAWING		RESTRICTED TO -	
		SCALE 2:1		SHEET 1 OF 1	REV C3