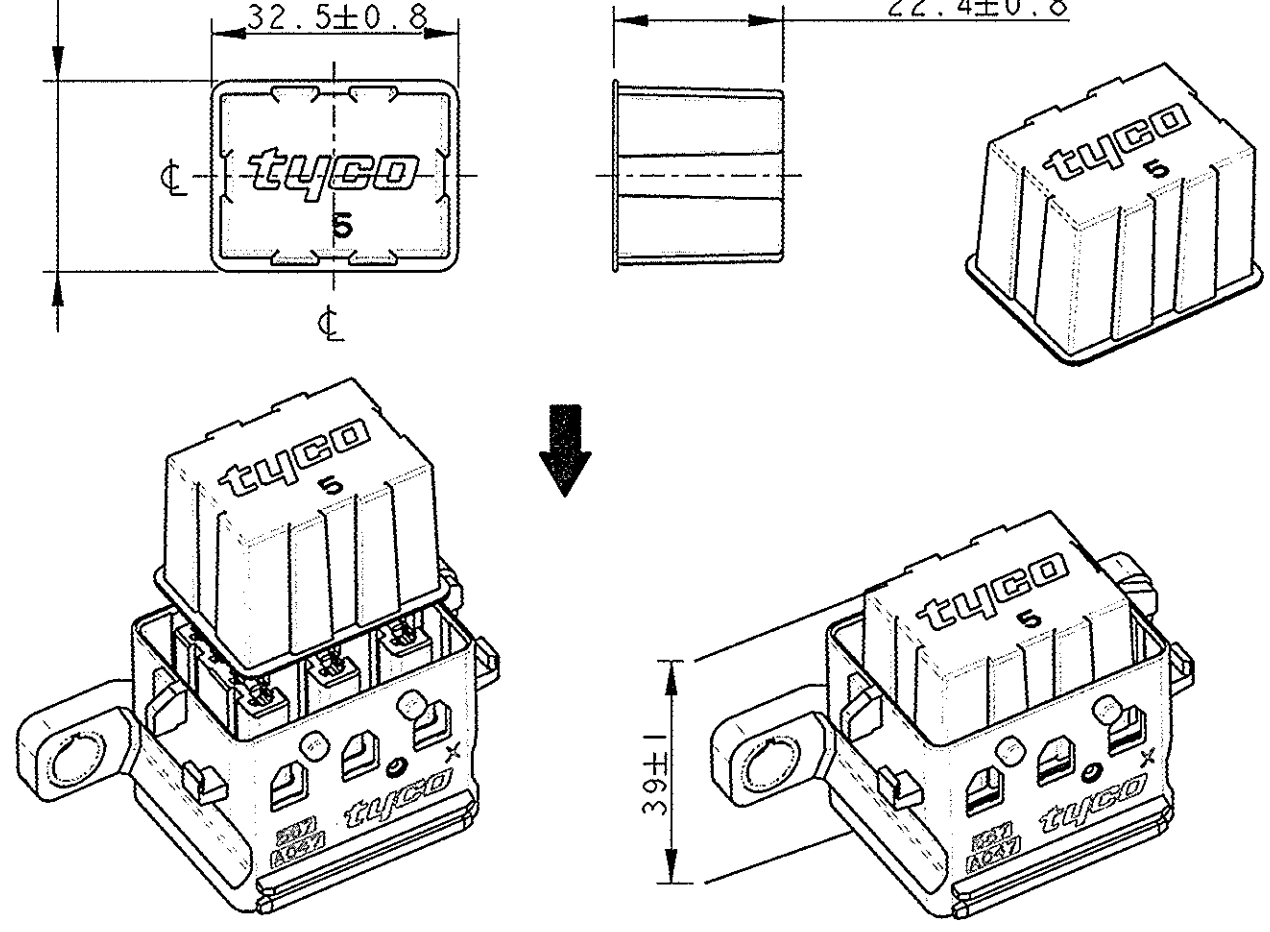


LOC		DIST		REVISIONS			
P	LTR	DESCRIPTION	DATE	DWN	APVD		
A1	-	0	PRELIMINARY ISSUE	15SEP2004	F. A. O. C.		
		1	MOD. GEOMETRY	08OCT2004	F. A. O. C.		
		2	MOD. GEOMETRY	21FEB2005	F. A. O. C.		
		A	RELEASED FOR PRODUCTION (ECR-05-003033)	16MAY2005	F. A. O. C.		
		A1	UPDATED	20MAY2005	<i>[Signature]</i>		

25.0±0.8

32.5±0.8

22.4±0.8



COVER DURING MATING OPERATION
THE COVER MUST BE ORIENTED AS SHOWN
(COPERCHIO DURANTE FASE DI ACCOPPIAMENTO
IL COPERCHIO DEVE ESSERE ORIENTATO COME INDICATO)

COVER IN MATED POSITION
(COPERCHIO IN POSIZIONE ACCOPPIATA)

- 1) MATERIAL: PS COLOUR BLACK
(MATERIALE: PS COLORE NERO)
- 2) SUITABLE FOR 12 W. CONNECTOR P/N 284953
(ADATTO PER CONNETTORE 12 POS. P/N 284953)

HANDLING AID - NOT PART OF FINAL PRODUCT
PRODOTTO AUSILIARIO NON FACENTE PARTE
DEL PRODOTTO FINALE

P/N 1745012-1 REV.A AS SHOWN
(P/N 1745012-1 REV.A COME MOSTRATO)

2003
 RELEASED FOR PUBLICATION
 BY TYCO ELECTRONICS CORPORATION. ALL RIGHTS RESERVED.
 COPYRIGHT 2003
 THIS DRAWING IS UNPUBLISHED.

DIMENSIONS: mm	DWN	15SEP2004	MATERIAL	△ -	FINISH	-
	F. AMERIO					
TOLERANCES UNLESS OTHERWISE SPECIFIED:	CHK	15SEP2004	tyco Electronics AMP Italy C.so F.lli Cervi 15, Collegno (TO)			
	O. CANUTO					
0 PLC ±0.8	APVD	-	NAME DUST COVER FOR 12 W. SEAT AIRBAG CONN. COPERCHIO DI PROTEZIONE CONN. 12 VIE			
1 PLC ±0.5	PRODUCT SPEC	-				
2 PLC ±0.3	APPLICATION SPEC	-	SIZE	CAGE CODE	DRAWING NO	RESTRICTED TO
3 PLC ±-			A4	00779	C-1745012	-
4 PLC ±-	WEIGHT	-	CUSTOMER DRAWING			
ANGLES ±1°			SCALE	SHEET	OF	REV
			1:1	1	1	A1