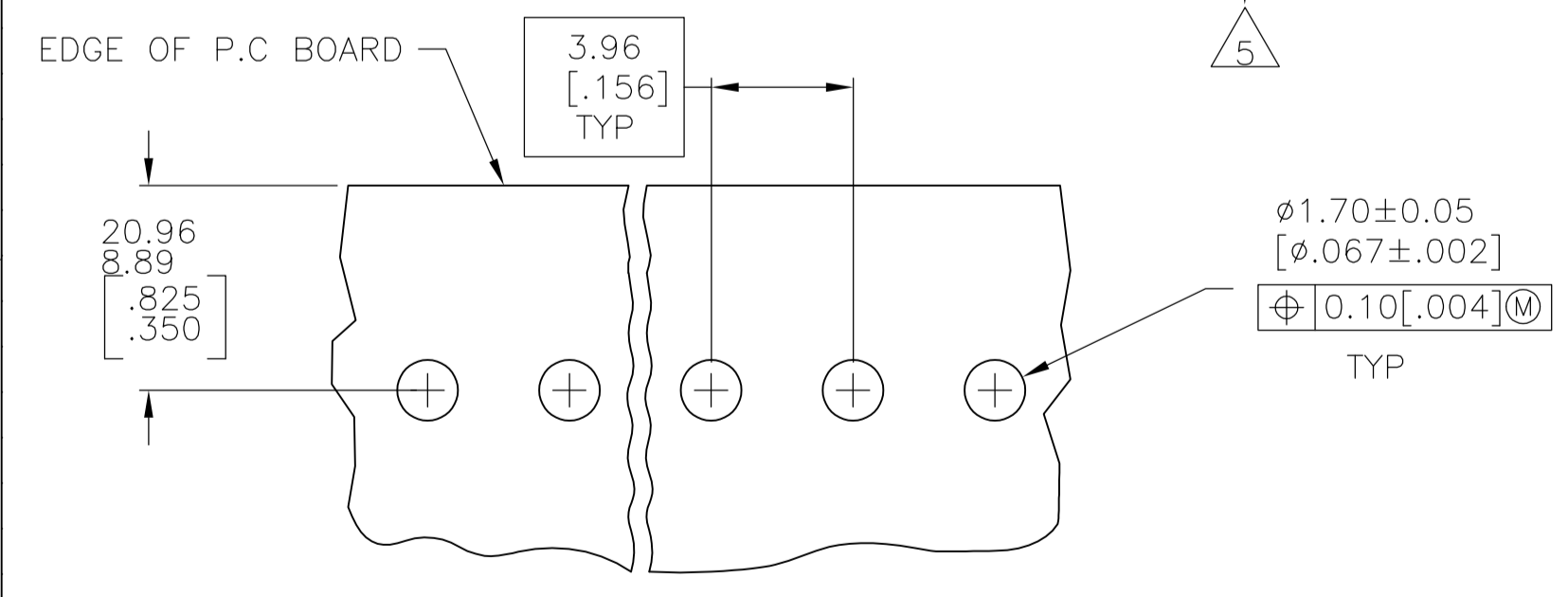
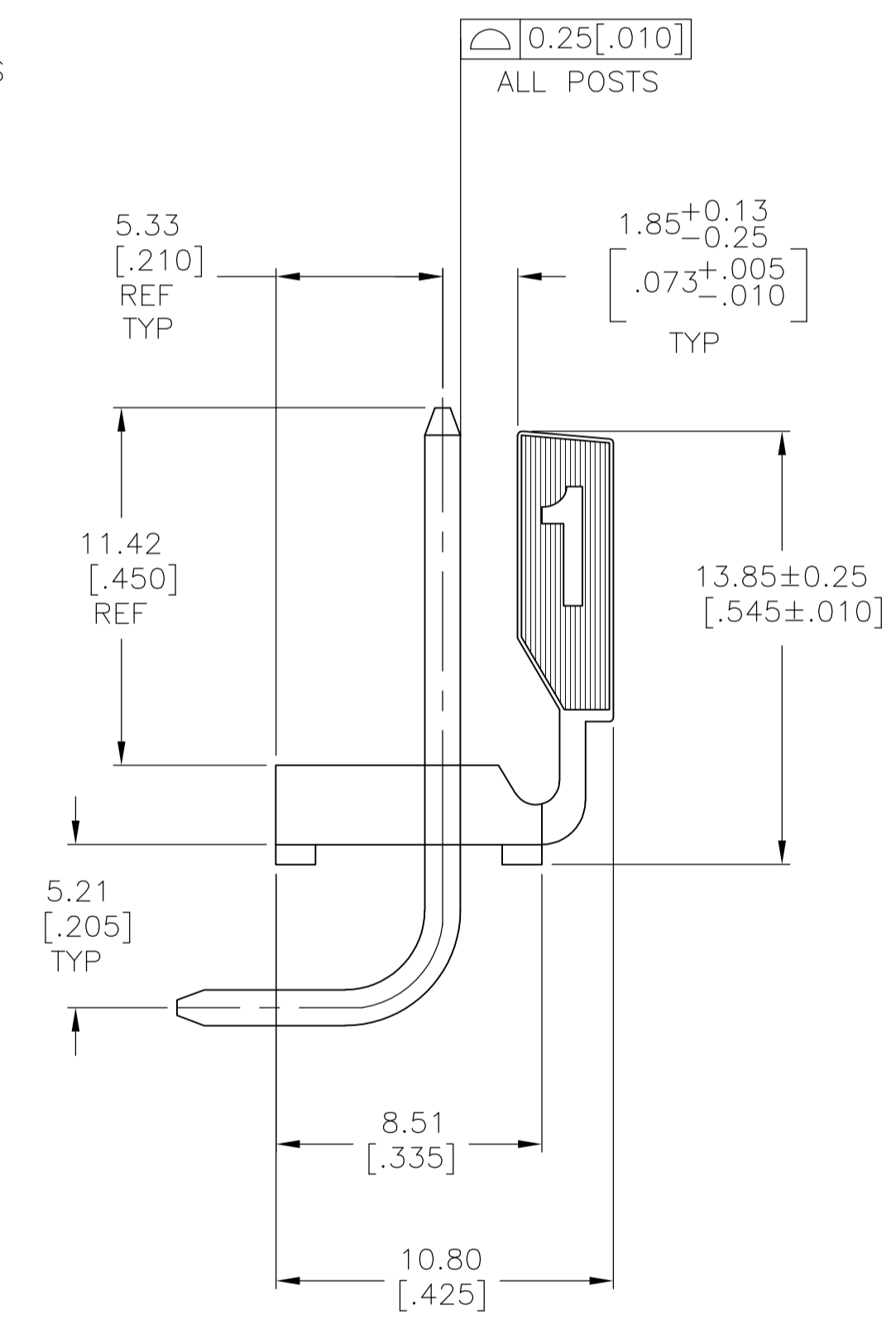
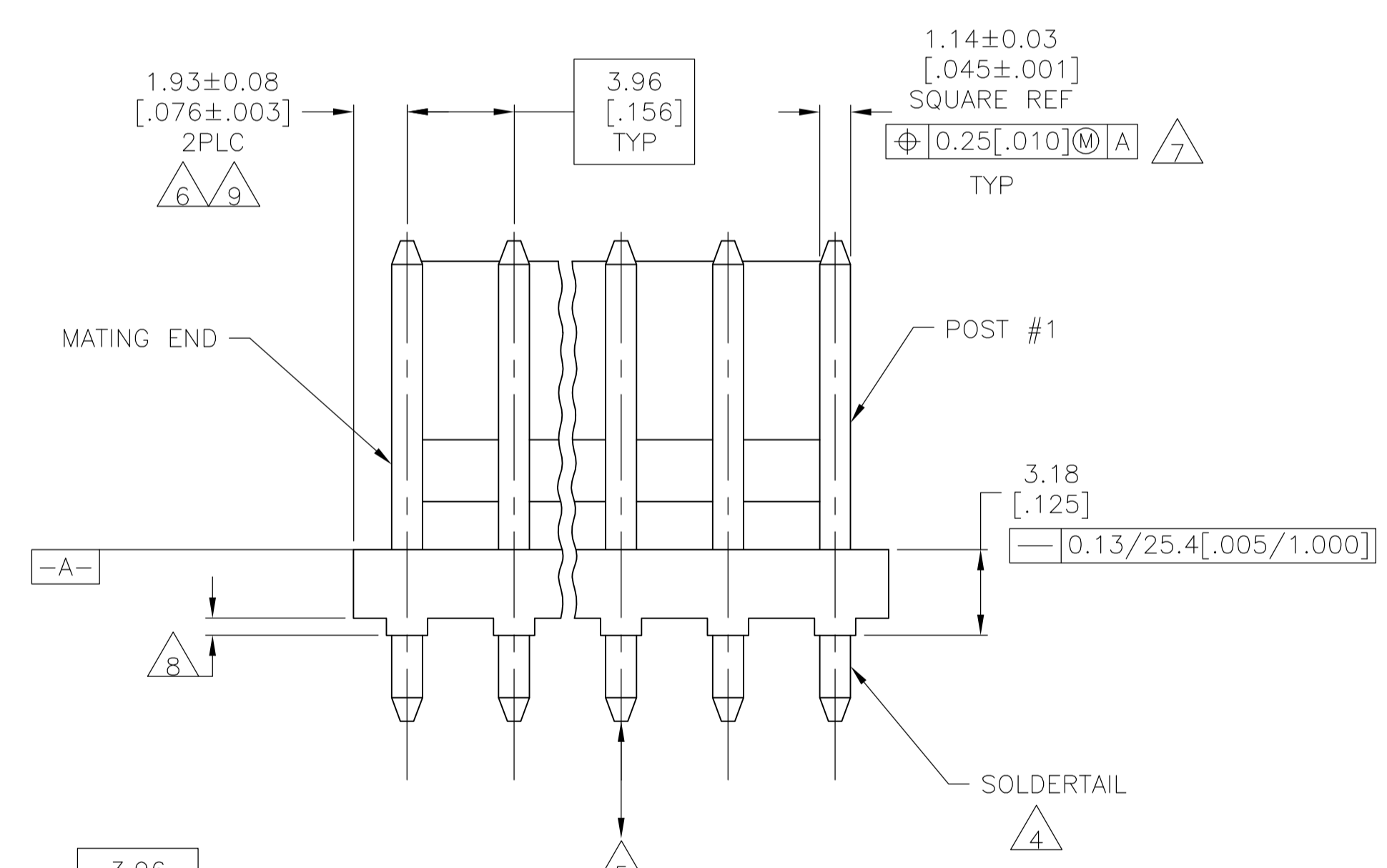
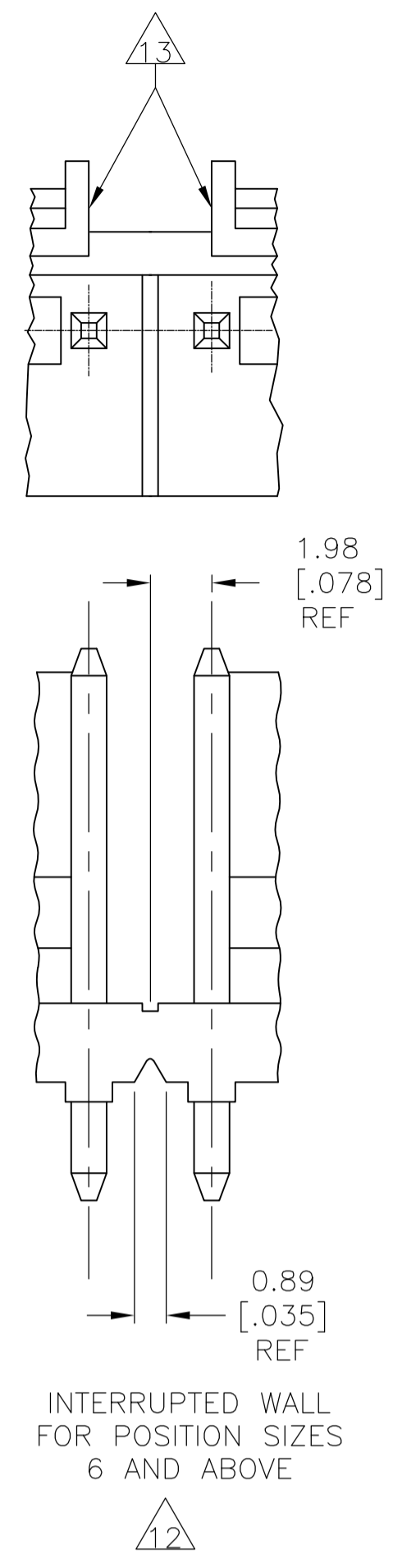
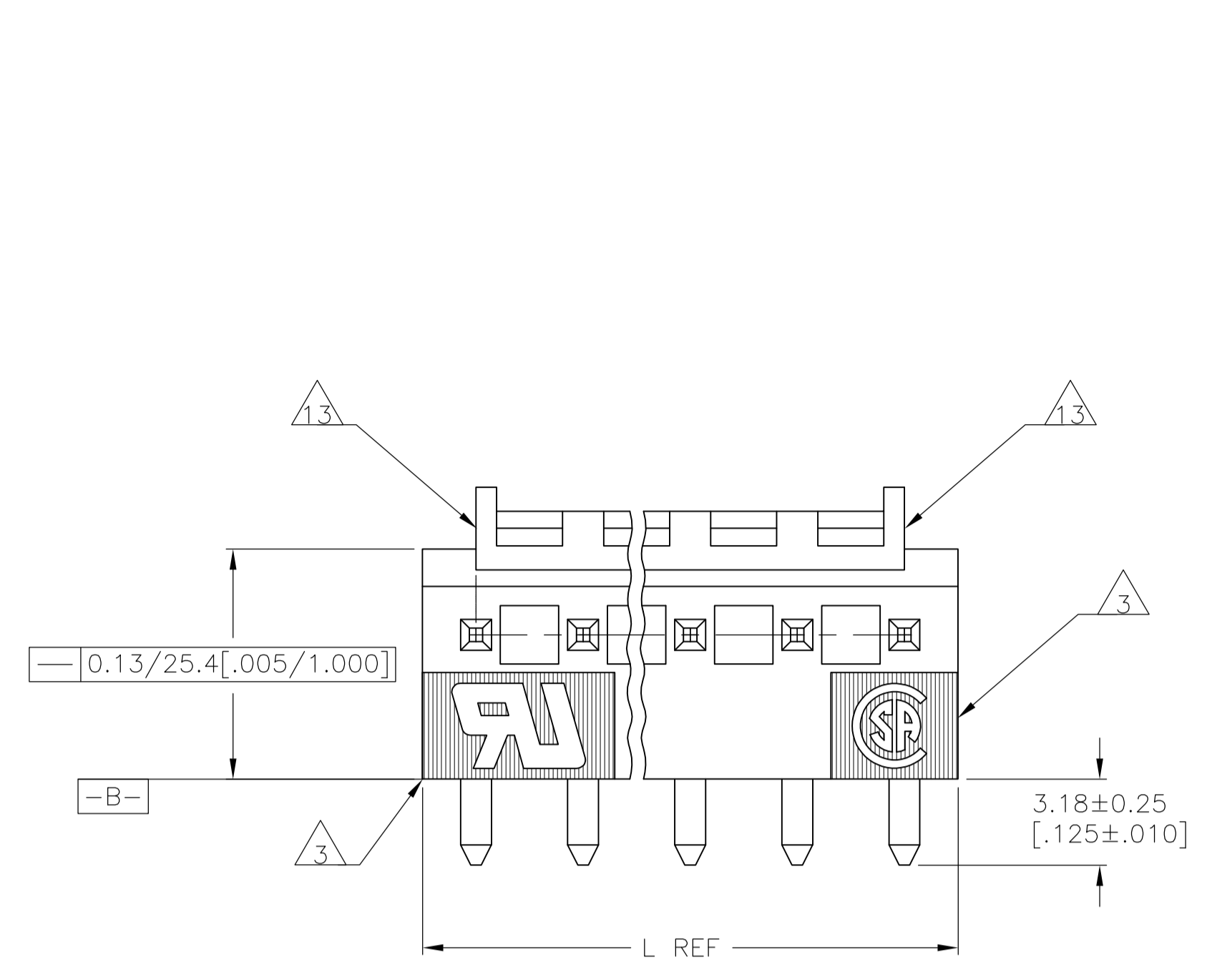


LOC	DIST	REVISIONS			
P	LTR	DESCRIPTION	DATE	DNW	APVD
2		PRELIMINARY PARTS ADDED	22SEP12	KH	SM



FINISH	BACKWALL INTERRUPTION(S) BETWEEN POST	L	NO. OF POSITIONS	PART NUMBER
14	4&5, 7&8, 11&12, 14&15	71.20 [2.803]	18	1-1744480-8
	4&5, 7&8, 10&11, 13&14	67.23 [2.647]	17	1-1744480-7
	4&5, 8&9, 12&13	63.27 [2.491]	16	1-1744480-6
	4&5, 8&9, 11&12	59.31 [2.335]	15	1-1744480-5
	4&5, 7&8, 10&11	55.35 [2.179]	14	1-1744480-4
	4&5, 7&8, 10&11	51.38 [2.023]	13	1-1744480-3
	4&5, 8&9	47.42 [1.867]	12	1-1744480-2
	4&5, 7&8	43.46 [1.711]	11	1-1744480-1
	3&4, 7&8	39.50 [1.555]	10	1-1744480-0
	3&4, 6&7	35.53 [1.399]	9	1744480-9
	4&5	31.57 [1.243]	8	1744480-8
	4&5	27.61 [1.087]	7	1744480-7
	3&4	23.65 [.931]	6	1744480-6
	NONE	19.69 [.775]	5	1744480-5
NONE	15.72 [.619]	4	1744480-4	
NONE	11.76 [.463]	3	1744480-3	
NONE	7.80 [.307]	2	1744480-2	

- 1 MATERIAL  
HOUSING: NYLON, GLASS FILLED, UL94V-2.  
POST: COPPER ALLOY
- 2 PRELIMINARY
- 3 UL MARKING MAY NOT APPEAR ON THE 2 OR 3 POSITION SIZES.  
CSA MARKING MAY NOT APPEAR ON THE 2 POSITION SIZE.
- 4 POST SOLDERTAILS COMPLY WITH AMP SOLDERABILITY SPEC 109-11-2.
- 5 POST WITHSTANDS 13.34N [3 LB] MIN AXIAL FORCE IN EITHER DIRECTION WITHOUT DISLODGING.
- 6 APPLIES AT -A-
- 7 APPLIES WHEN THE HEADER IS STRAIGHT.
- 8 PLASTIC PROJECTIONS PERMITTED IN THIS ZONE.
- 9 COORDINATE DIMENSIONS APPLIES FROM THE CENTER OF THE ACTUAL FEATURE.
- 10 SOLDER SIDE OF BOARD IS SHOWN.
- 11 DIMENSIONS IN BRACKETS ARE IN INCHES.
- 12 ALL POSITION SIZES HAVE THE BACKWALL NOTCHED ON BOTH ENDS AS SHOWN. THE 2 THRU 5 POSITION SIZES HAVE SOLID BACKWALLS. POSITION SIZES 6 AND ABOVE HAVE AN INTERRUPTED BACKWALL AT VARIOUS LOCATIONS (SEE TABLE FOR INTERRUPTION(S) LOCATIONS).
- 13 EDGE OF POLARIZING LOCK WALL TO BE IN LINE WITH CENTERLINE OF ADJACENT POST WITHIN ±0.13 [.005]
- 14 FINISH  
HOUSING: NATURAL  
POST: MATTE TIN PLATE 0.000150 MIN THICK OVER NICKEL,

**PRELIMINARY - NOT RELEASED FOR PRODUCTION**

THIS DRAWING IS A CONTROLLED DOCUMENT. DIMENSIONS: mm [INCHES]. TOLERANCES UNLESS OTHERWISE SPECIFIED: 0 PLC ±, 1 PLC ±, 2 PLC ±, 3 PLC ± 0.13 [.005], 4 PLC ±, ANGLES ±.

APPROVED: JR RUTH, SAM MACE, APVD: SAM MACE, 17JUL12. NAME: MTA-156 HEADER ASSEMBLY, POLARIZED LOCK, RIGHT ANGLE FRONT BEND, .045 SQUARE POST, TIN, GLOW WIRE.

SIZE: A1, CASE CODE: 00779, DRAWING NO: 1744480, RESTRICTED TO: CUSTOMER DRAWING. SCALE: 5:1, SHEET: 1 OF 1, REV: 2.