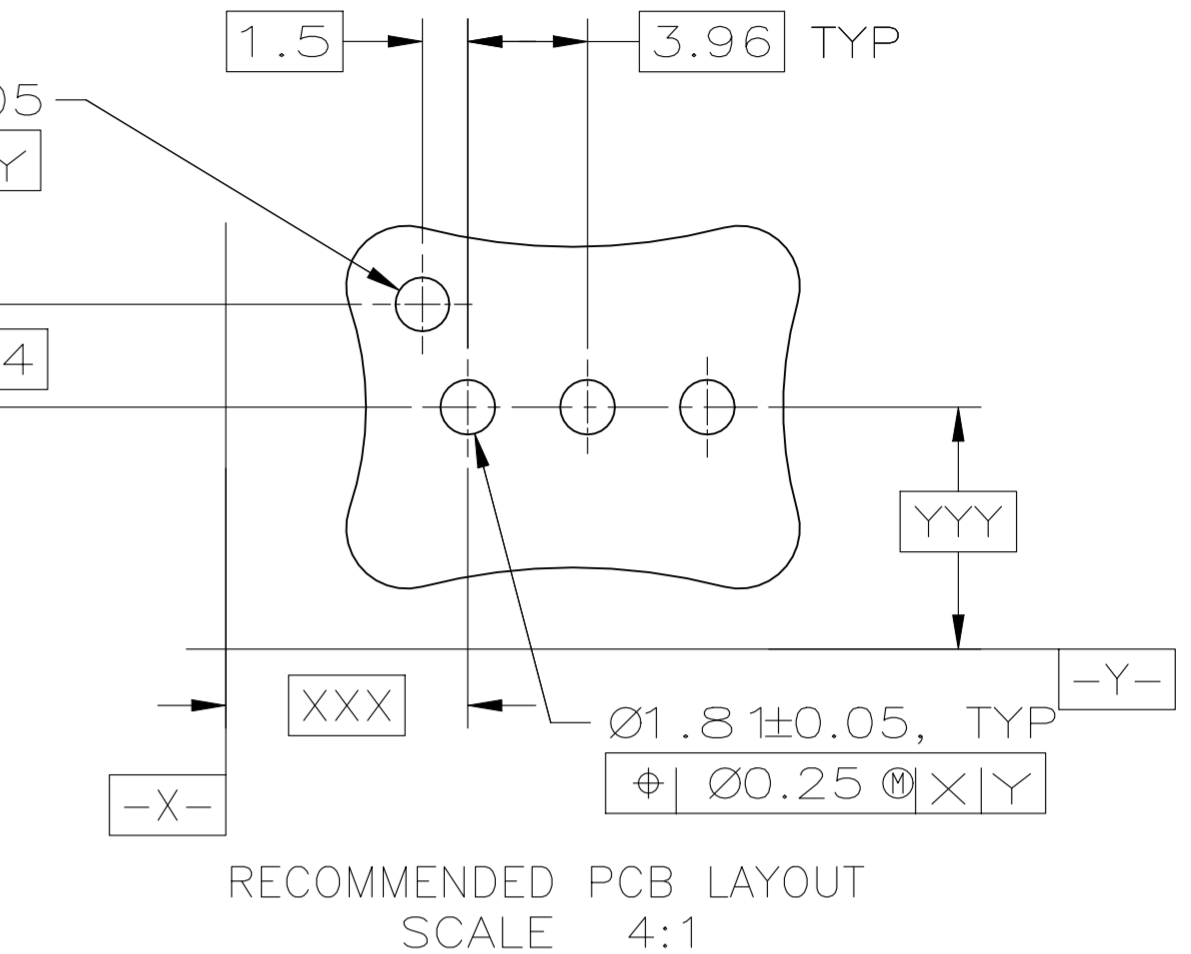
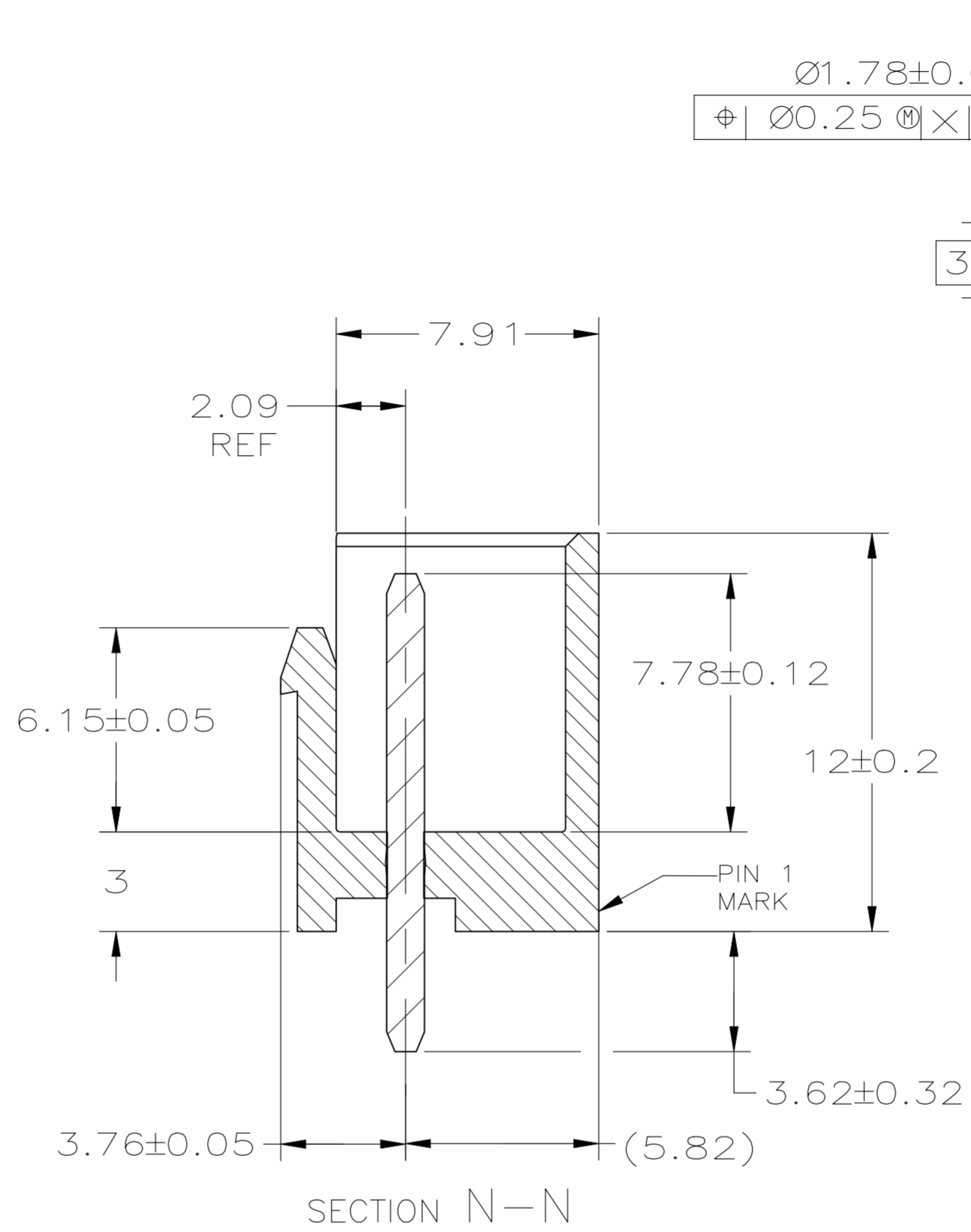
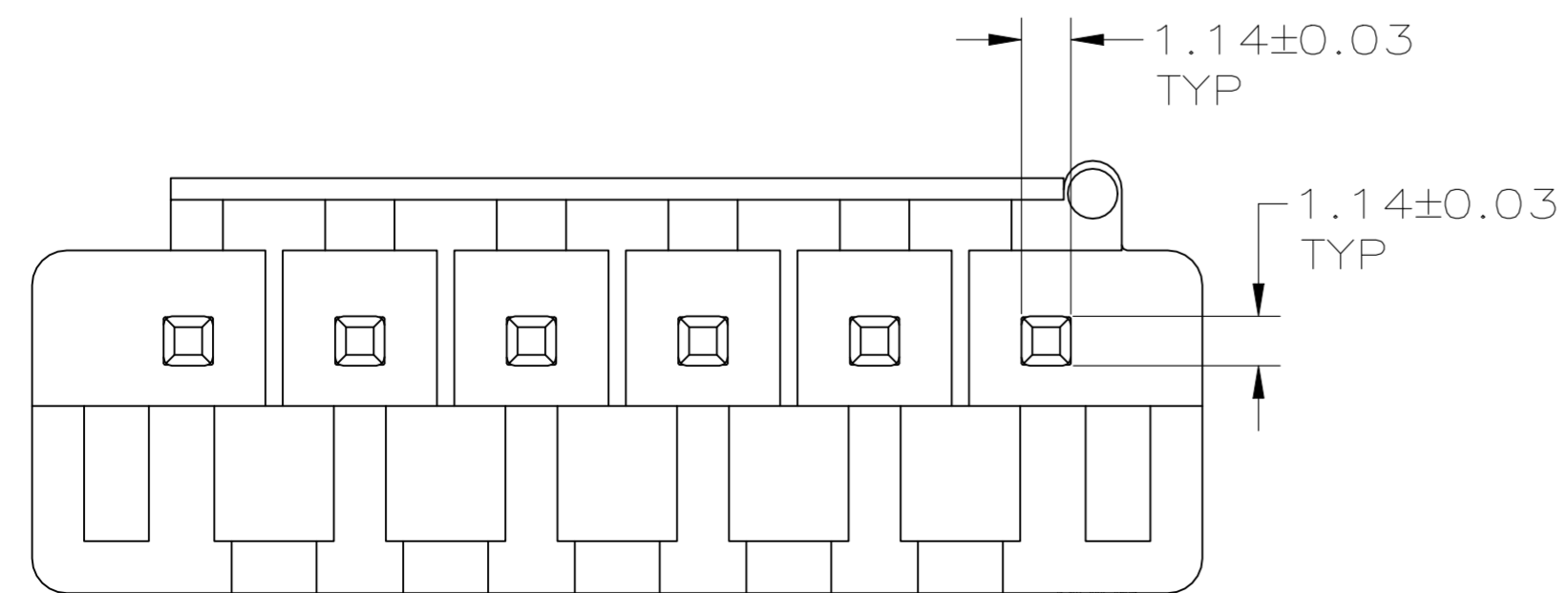
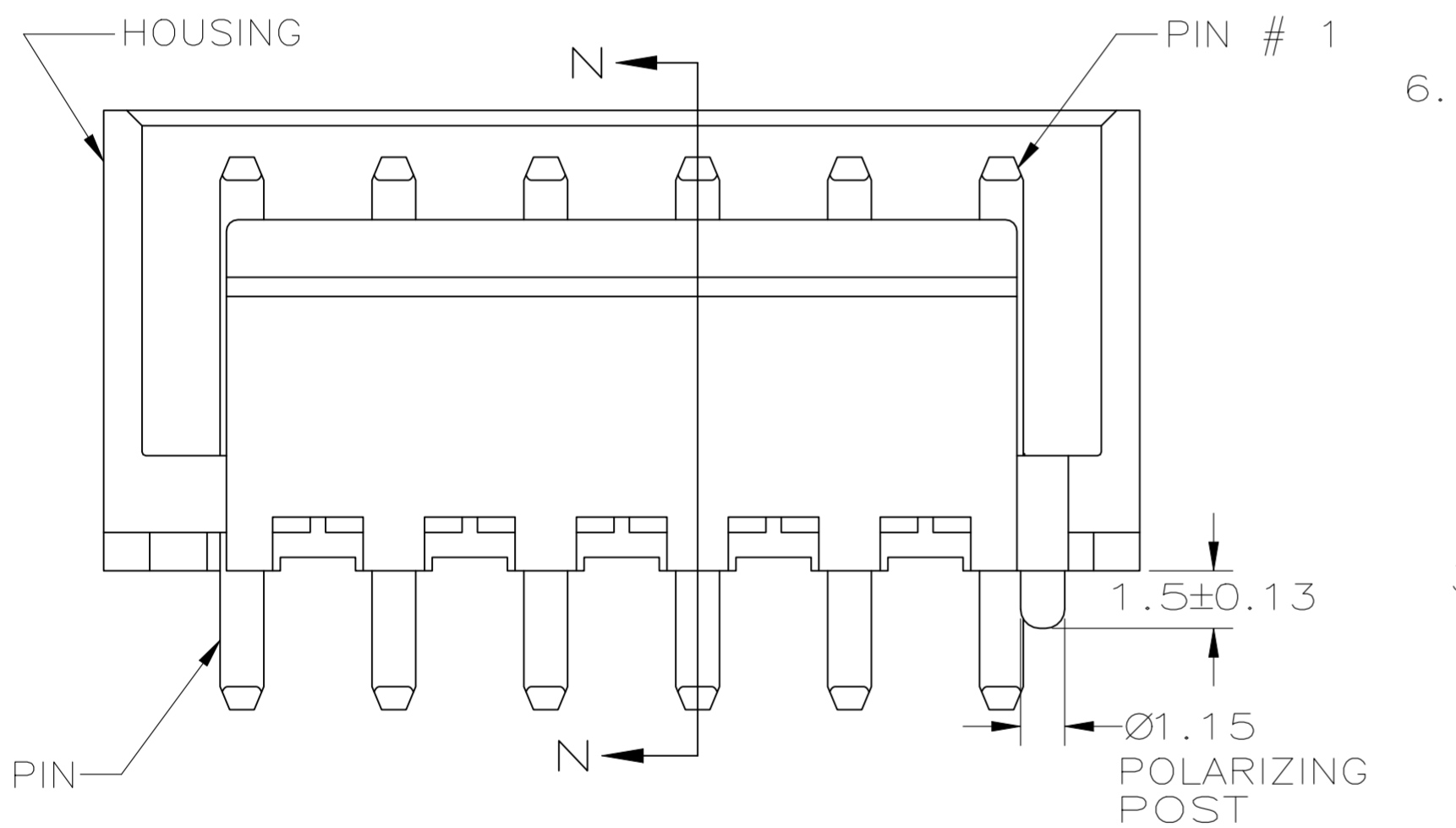
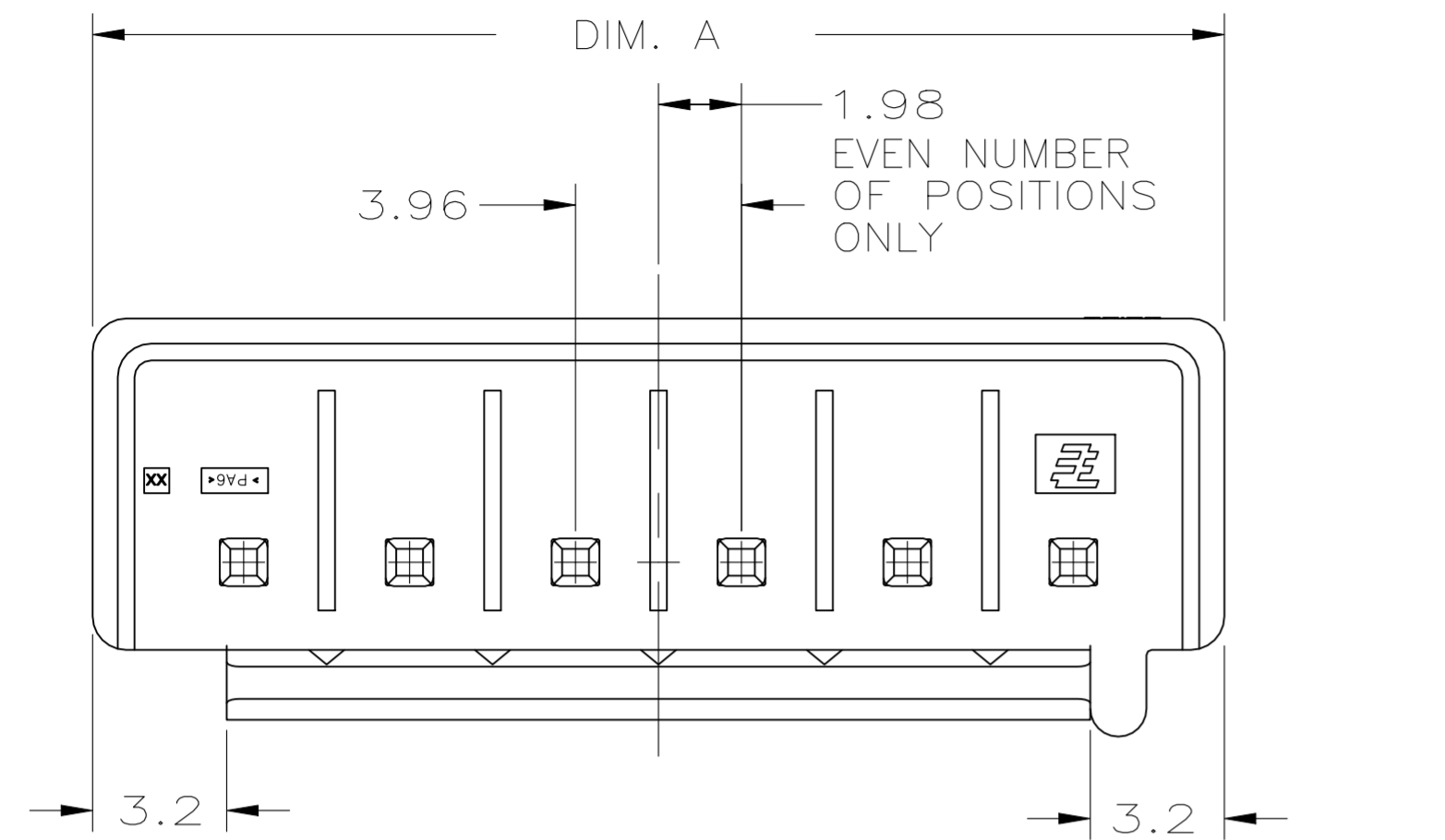


THIS DRAWING IS UNPUBLISHED. RELEASED FOR PUBLICATION - .20 .
 © COPYRIGHT 20 BY - ALL RIGHTS RESERVED.

REVISIONS					
P	LTR	DESCRIPTION	DATE	DWN	APVD
B4		REVISED PER ECR-23-188056	07DEC2023	N.H	L.C



1 MATERIAL: HOUSING; NYLON GLASS FILLED UL94V-2
 PIN: BRASS
 2 FINISH: PIN, 1.0µm MIN TIN OVER 0.8µm MIN NICKEL.

- 3 DIMENSIONS SHOWN REPRESENT PRODUCT IN DRY, AS MOLDED, CONDITION. ADDITIONAL 2% GROWTH DUE TO SUBSEQUENT MOISTURE ABSORPTION MAY OCCUR AND SHOULD BE ACCOUNTED FOR
- 4 RECOMMENDED MATING PART: *-1744416-*
- 5 PACKAGING: LOOSE PIECE
- 6 PER IEC 60335-1 SECT.30, GWEPT 750C, NO FLAME or Te-Ti≤2S
- 7 SKETCH SHOWS NO PIN MISSING.

15.13	2	3	1-1744427-3
34.93	7	8	1-1744427-8
23.05	2	5	1-1744427-5
50.77	-	12	1-1744427-2
46.81	-	11	1-1744427-1
42.85	-	10	1-1744427-0
38.89	-	9	1744427-9
34.93	-	8	1744427-8
30.97	-	7	1744427-7
27.01	-	6	1744427-6
23.05	-	5	1744427-5
19.09	-	4	1744427-4
15.13	-	3	1744427-3
11.17	-	2	1744427-2
DIM. A	OMIT PIN#	POS.	PART NO.

THIS DRAWING IS A CONTROLLED DOCUMENT.		DWN	JR RUTH	09JAN12	 TE Connectivity
DIMENSIONS: mm		CHK	SAM MACE	09JAN12	
TOLERANCES UNLESS OTHERWISE SPECIFIED:		APVD	SAM MACE	09JAN12	
0 PLC ± - 1 PLC ± - 2 PLC ± 0.10 3 PLC ± - 4 PLC ± - ANGLES ± -		PRODUCT SPEC	108-2297	NAME	
MATERIAL	1	FINISH	2	APPLICATION SPEC	114-13265
CUSTOMER DRAWING		WEIGHT	SIZE		A2
		SCALE	N/A	CAGE CODE	00779
		SHEET	1 of 1	DRAWING NO	C=1744427
		REV	B4	RESTRICTED TO	-