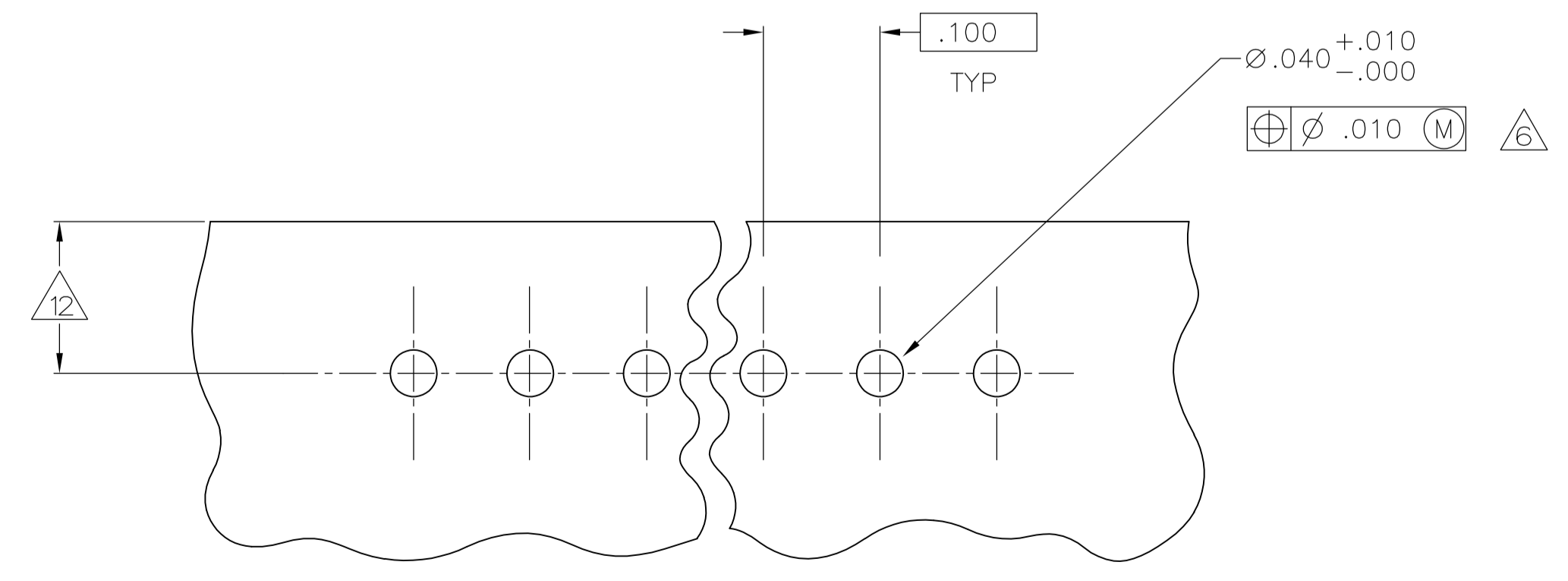
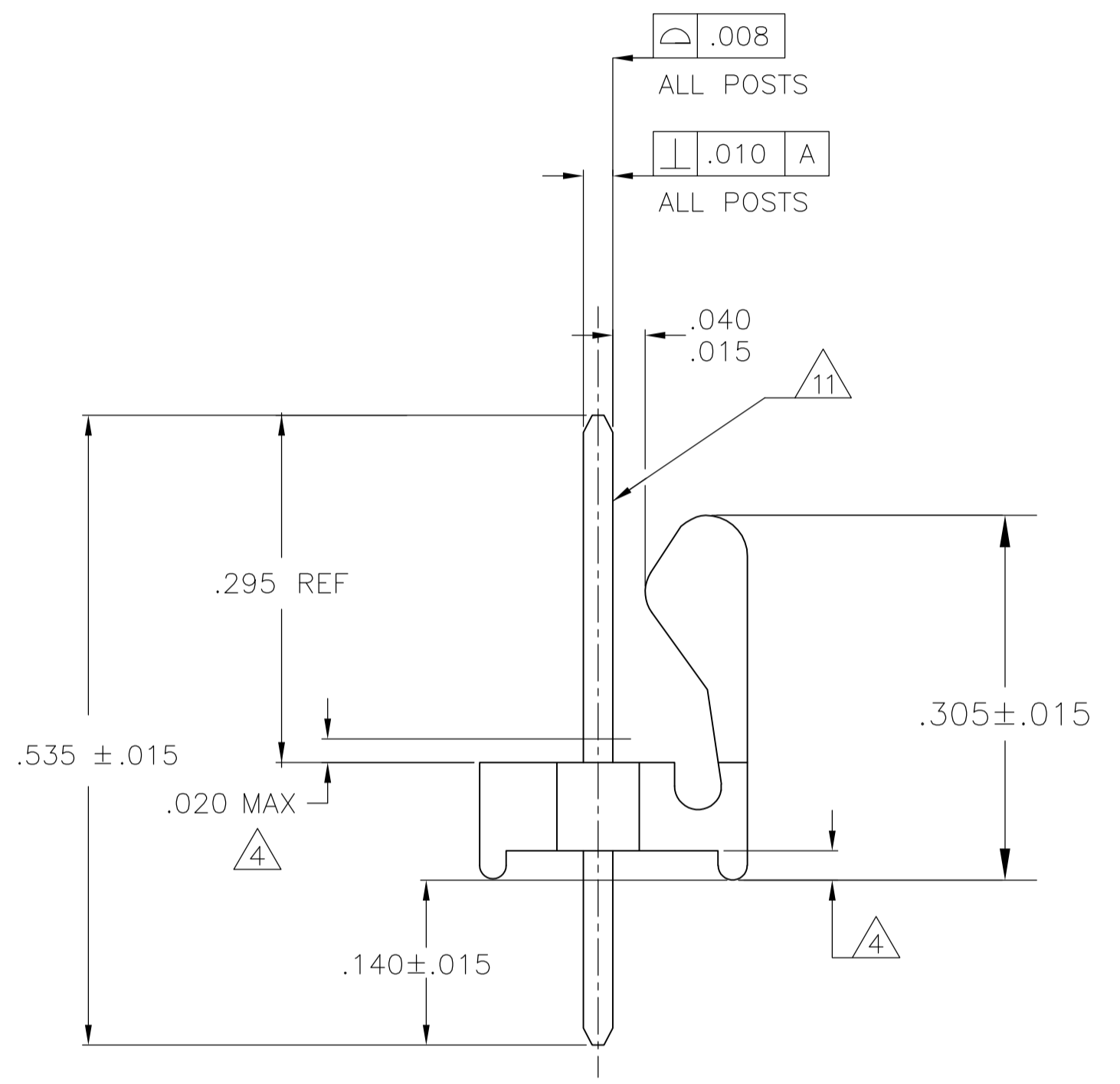
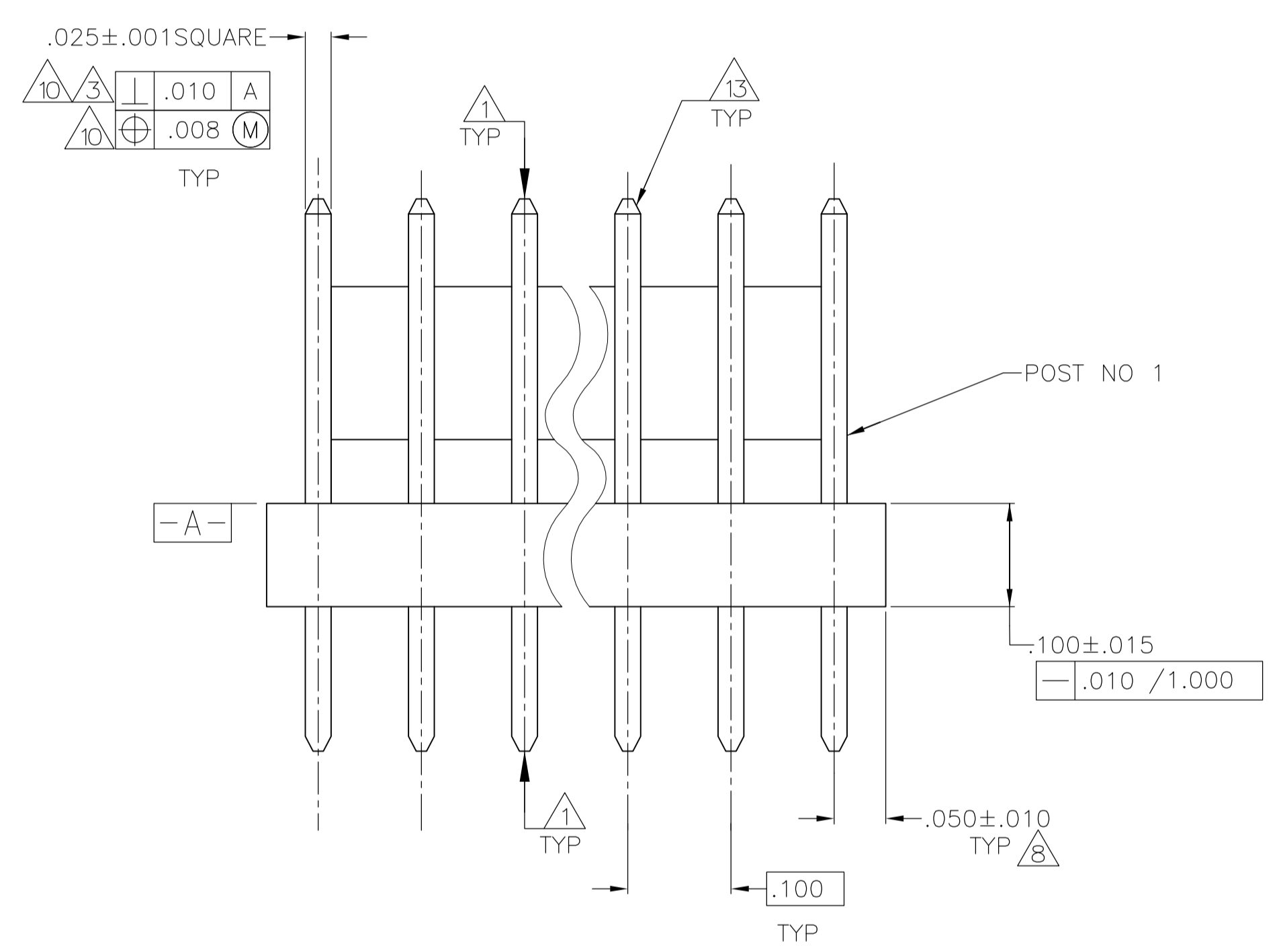
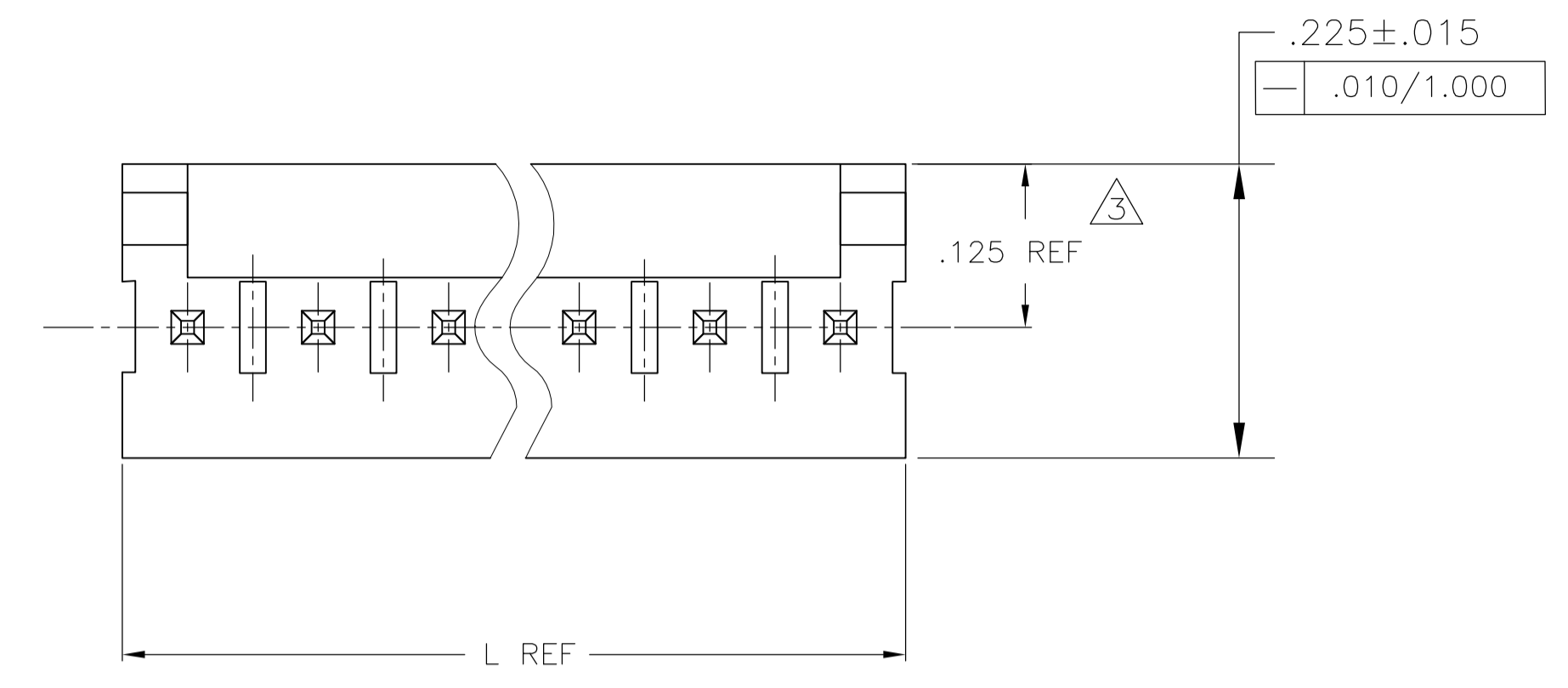


| REVISIONS |             |               |           |       |
|-----------|-------------|---------------|-----------|-------|
| P         | LTR         | DESCRIPTION   | DATE      | APP'D |
| A2        | REVISED PER | ECR-15-014064 | 03MAR2016 | NK NL |



RECOMMENDED MOUNTING HOLE PATTERN FOR .063 THICK P.C. BOARD

- 1 POST TO WITHSTAND 13 NEWTONS (3 LBS) MIN. AXIAL FORCE IN BOTH DIRECTIONS SHOWN WITHOUT DISLODGING.
- 2 TOLERANCES APPLY TO SOLDER SIDE OF BOARD.
- 3 MEASURED AT SURFACE  $\overline{A-A}$
- 4 PLASTIC FLASH PERMITTED IN THIS AREA.
- 5 PARTS COMPLY WITH AMP SOLDERABILITY SPEC. NO. 109-11-2.
- 6 ONE HOLE MAY BE UNDERSIZED (.032-.035 DIA) FOR ASSEMBLY RETENTION DURING WAVE SOLDERING.
- 7 MATERIAL: HEADER-THERMOPLASTIC POLYESTER  
UL94V-0(NATURAL)  
POST-COPPER ALLOY (MATTE TIN-PLATED-WHISKER MITIGATED)
- 8 COORDINATE DIMENSION APPLIES FROM CENTER OF ACTUAL FEATURE.
- 9 PLASTIC BURRS CAUSED BY CUT-OFF TOOLING ARE PERMITTED WITHIN THE MAXIMUM TOLERANCE ENVELOPE.
- 10 POSTS TO BE MEASURED WHEN STRIP IS HELD FLAT. POSTS MUST WITHSTAND TWO 90° BENDS AGAINST EXTRUSION WITHOUT BREAKING.
- 11 DIMENSION SHOULD BE .130 MIN WHEN MATING WITH A MTA 100 CONNECTOR ASSEMBLY OR A CST 100 CONNECTOR.
- 12 PIN BURR OF .005 MAX. VERTICAL AND .003 MAX. HORIZONTAL PERMITTED AT POST TIPS ON BOTH ENDS.

|      | 1.000 | 25.40 |
|------|-------|-------|
| .035 | 0.89  | 22.86 |
| .032 | 0.81  | 20.57 |
| .025 | 0.64  | 16.27 |
| .020 | 0.51  | 12.95 |
| .015 | 0.38  | 9.65  |
| .010 | 0.25  | 6.35  |
| .008 | 0.20  | 5.08  |
| .005 | 0.13  | 3.30  |
| .003 | 0.08  | 2.03  |
| .001 | 0.03  | 0.76  |
| .000 | 0.00  | 0.00  |
| IN   | MM    | IN    |

| IN    | MM    | NO OF POSITIONS | PART NUMBER |
|-------|-------|-----------------|-------------|
| 1.800 | 45.72 | 18              | 1-1744214-8 |
| 1.600 | 40.64 | 16              | 1-1744214-6 |
| 1.400 | 35.56 | 14              | 1-1744214-4 |
| 1.200 | 30.48 | 12              | 1-1744214-2 |
| .800  | 20.32 | 8               | 1744214-8   |
| .600  | 15.24 | 6               | 1744214-6   |
| .300  | 7.62  | 3               | 1744214-3   |
| .200  | 5.08  | 2               | 1744214-2   |

THIS DRAWING IS A CONTROLLED DOCUMENT.

|                    |  |                           |   |
|--------------------|--|---------------------------|---|
| DIMENSIONS: INCHES | TOLERANCES UNLESS OTHERWISE SPECIFIED: | DIN K. WHITAKER 15FEB2006 | CHK D. ROSSI 15FEB2006  |
| 0 PLC ± -          | 1 PLC ± -                              | APPRO D. ROSSI 15FEB2006  | NAME  |
| 2 PLC ± -          | 3 PLC ± .005                           | APPLICATION SPEC          | MTA-100 HDR ASSY, FRICTION LOCK, NOTCHED, .025 SQUARE STRAIGHT POST, TIN PLATED |
| 4 PLC ± -          | ANGLES ± # 0°30'                       | SIZE A1                   | SCALE 8:1   |
| MATERIAL           | FINISH                                 | WEIGHT                    | SHEET 1 OF 1  |
|                    |  | CUSTOMER DRAWING          | REV A2  |