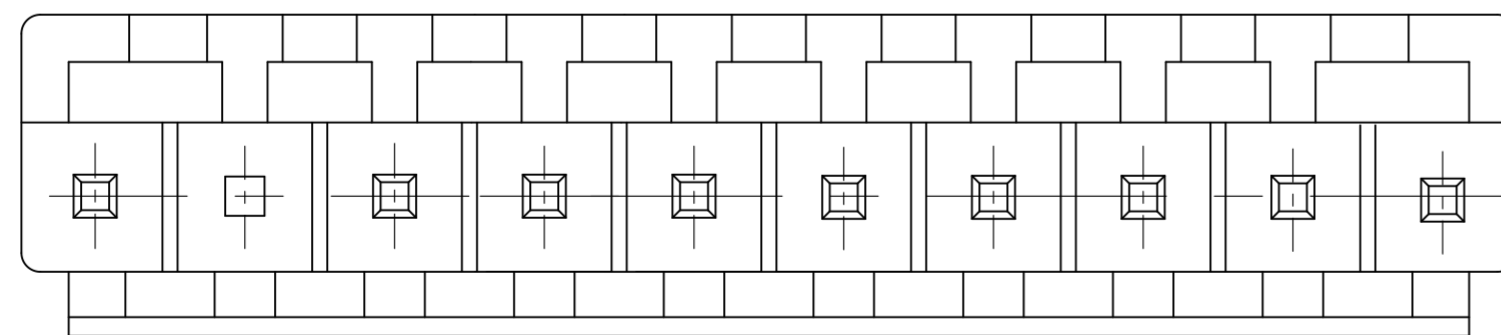
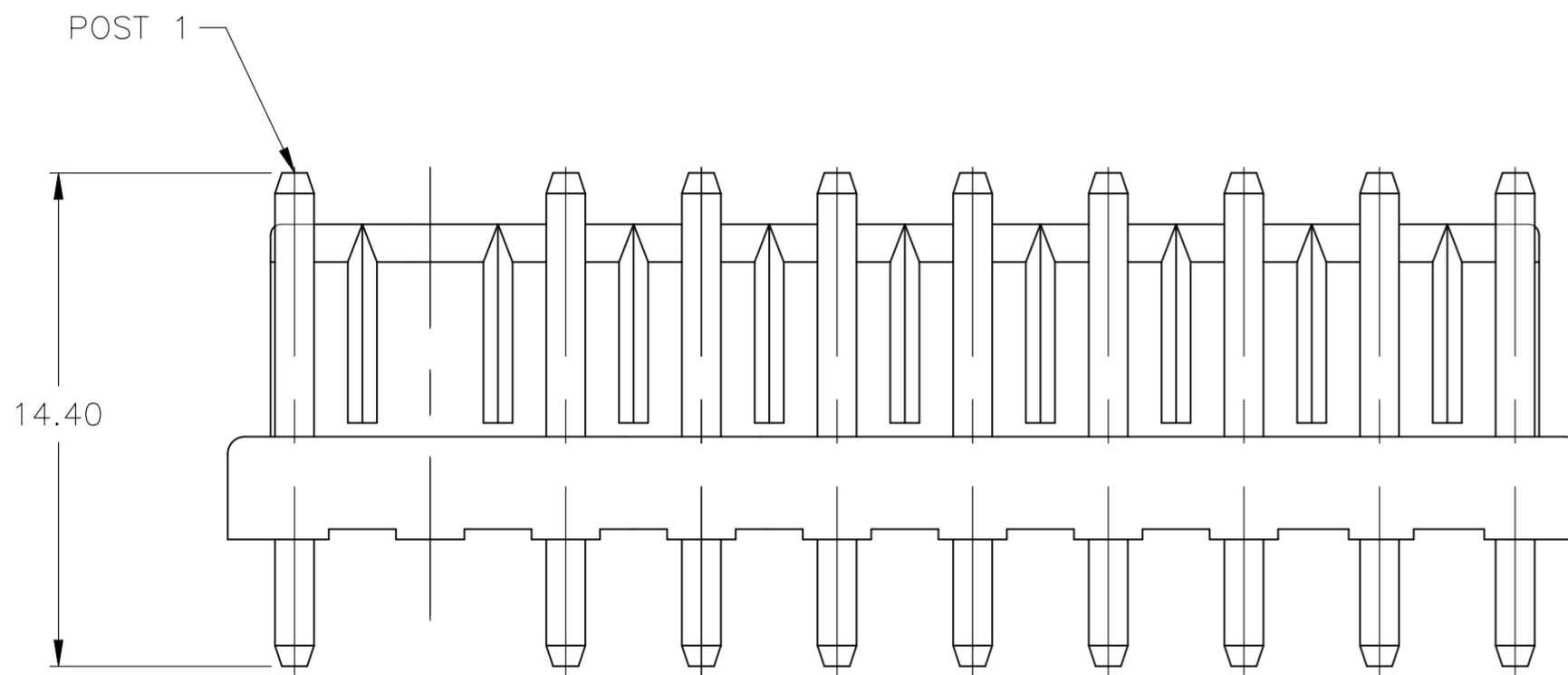
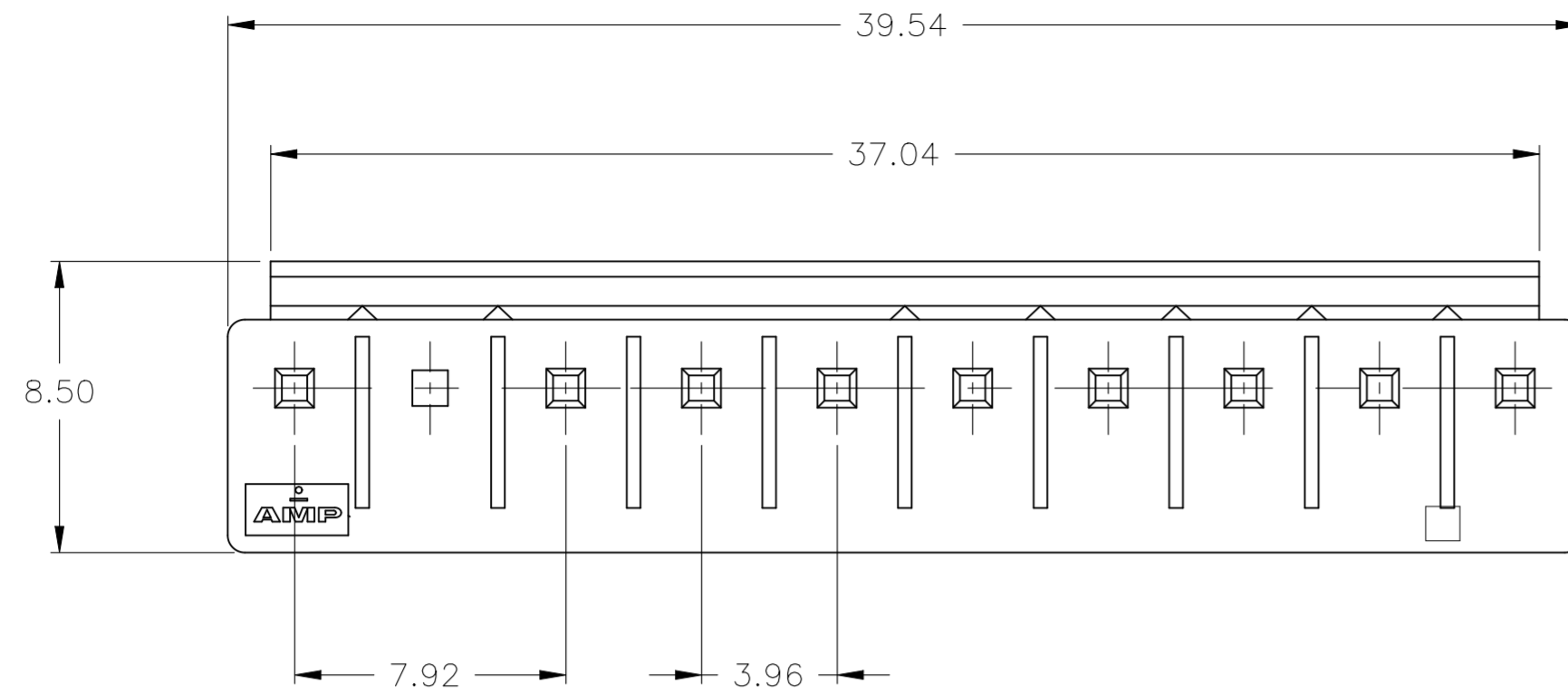
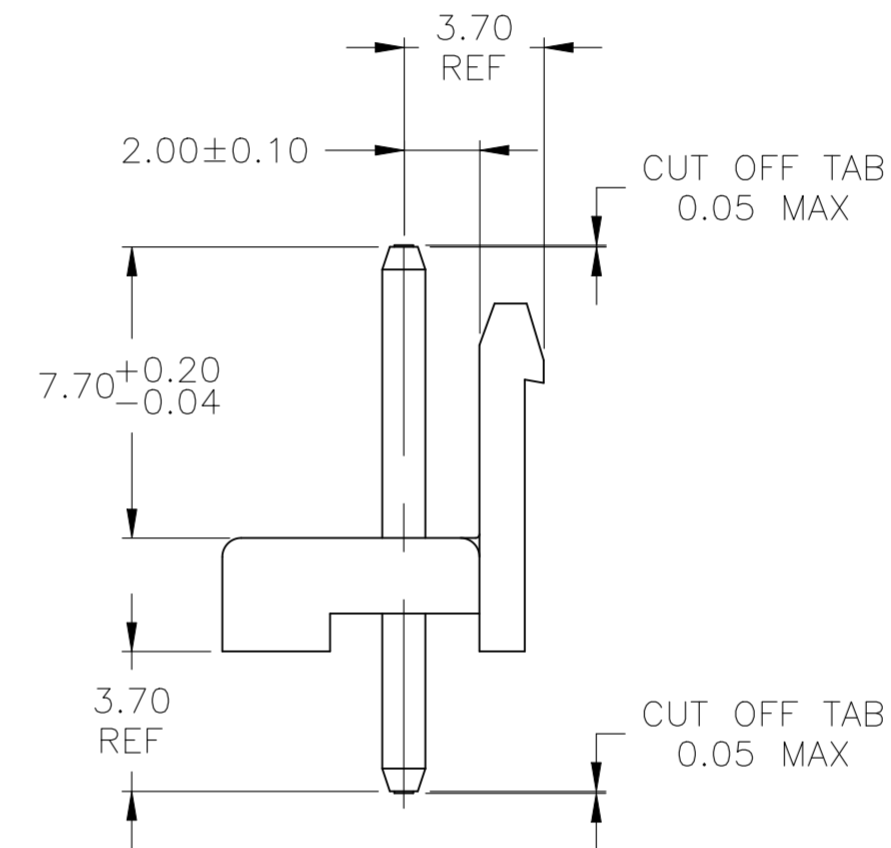


REVISIONS					
P	LTR	DESCRIPTION	DATE	DWN	APVD
A3		REVISED PER ECR-21-124255	21JAN2022	SS	DZ



1 MATERIAL: HOUSING- PBT,
POST- BRASS, 0.001[.000039] MIN TIN OVER
0.0008[.000031] MIN NICKEL.



NATURAL		10	1-1744110-0
NATURAL	2,4,6,8	10	1744110-3
NATURAL	2	10	1744110-2
HOUSING COLOR	OMITTED POST NUMBER	NO. OF POSITIONS	ASSEMBLY PART NO.

THIS DRAWING IS A CONTROLLED DOCUMENT.		DWN KIRAN HOLAL 12DEC12			
DIMENSIONS: mm		CHK MICHIELUTTI THOMAS 12DEC12			
TOLERANCES UNLESS OTHERWISE SPECIFIED:		APVD MICHIELUTTI THOMAS 12DEC12	NAME HEADER ASSEMBLY, SPECIAL, OMITTED POST, 10 POSITION, ECONOMY POWER (EP)		
0 PLC ± - 1 PLC ± - 2 PLC ± 0.64 3 PLC ± - 4 PLC ± - ANGLES ± -		PRODUCT SPEC -	SIZE A2	CAGE CODE 00779	DRAWING NO. C=1744110
MATERIAL -		FINISH -	WEIGHT 0.000000	SCALE 5:1	SHEET 1 of 1
CUSTOMER DRAWING			RESTRICTED TO -	REV A3	